



- 1U High
- Up to 3000W (3 units) in 19" Rack
- Hotswap capable (Oring Diodes Built In)
- Low Cost
- PoE Option

FPS1000 Series

1000W Front End
Power Supplies

Key Market Segments & Applications

Power for Distributed Power Architecture
Factory Automation
RF Amplifiers

FPS Features and Benefits

Features

- 1U High
- Hotswap capable
- High Efficiency
- Full Array of Signals

Benefits

- Lower Cost of Ownership
- Suitable for N+1 Redundancy
- Less Heat Dissipated in System
- Easier System Monitoring

Specifications

ITEMS	MODELS		12V Nominal	24V Nominal	32V Nominal	48V Nominal
	(1)	V	10.5 - 13.2V	21.5 - 29V	28.8 - 38.4V	43 - 58V
Output Voltage Range	(1)	V	10.5 - 13.2V	21.5 - 29V	28.8 - 38.4V	43 - 58V
Output Current		A	72A	40A	31A	21A
Line Regulation		-	<0.4%			
Load Regulation		-	<0.8%			
Output Noise		mV	150mV	200mV	250mV	300mV
Overvoltage Protection		V	14.3 to 15.7V	31 to 34V	41.5V to 45.5V	62 to 66V
Overcurrent Protection		-	105 - 125%, Constant Current type			
Load Sharing		-	Single wire current sharing, up to 8 units			
Remote Sense		-	Compensates for 1V on each output lead			
PC Monitoring		-	Optional (Specify /S)			
Signals (opto isolated)		-	DC OK, AC Fail, and Over temperature warning, high on fail			
Remote On/Off		-	On: 0 - 0.6V or short, Off: 2- 15V or open			
Auxiliary Output		-	11.2-12.5VDC 0.25A			
AC Input	(2)	-	85 - 265VAC, 47 - 63Hz ² , 120-360VDC. (Derate 10% < 100VAC)			
Leakage Current		mA	<1.1mA at 230VAC input			
Inrush Current		A	<40A			
Hold up time (100VAC input)		-	20ms typical (at 80% rated load)			
Efficiency (typ) 100/200VAC		-	81 / 83%	84 / 86%	84 / 86%	85 / 88%
Power Factor Correction		-	EN61000-3-2 class A (20-100% load), >0.98 at full load			
Immunity		-	EN61000-4-2, -3, -4, -5, -6, -11			
EMC (conducted and radiated)		-	EN55022, level B, FCC Class B			
Operating Temperature		°C	0°C to +70°C, derate 2%/°C from 50°C to 60°C, 2.5%/°C from 60°C to 70°C			
Storage Temperature		°C	-30°C to +85°C			
Withstand Voltage		-	Input to Output 3kVAC, Input to Ground 2kVAC, Output to Ground 500VAC for 1 min.			
Cooling		-	Two internal fans, airflow from front to back (variable speed)			
Humidity		-	Operating: 10 - 90% RH, Storage: 10 - 95% RH (non condensing)			
Shock & Vibration		-	Built to meet ETS 300 019			
Safety Agency		-	UL60950-1, EN60950-1, CE Mark			
Input / Output Connector		-	Positronic PCB24W9M400A1 (Mating #PCIB24W9F400A1)			
Front panel indicators		-	AC OK, DC OK, DC Fail			
Size (HxWxL)		mm	Stand alone: 41 x 127 x 290; Rack: 44 x 400 x 351			
Weight		g	2,000			
Warranty		yr	2			

Note 1 Via Trim pin on output connector

Note 2 47-440Hz with reduced PFC (100-265VAC)

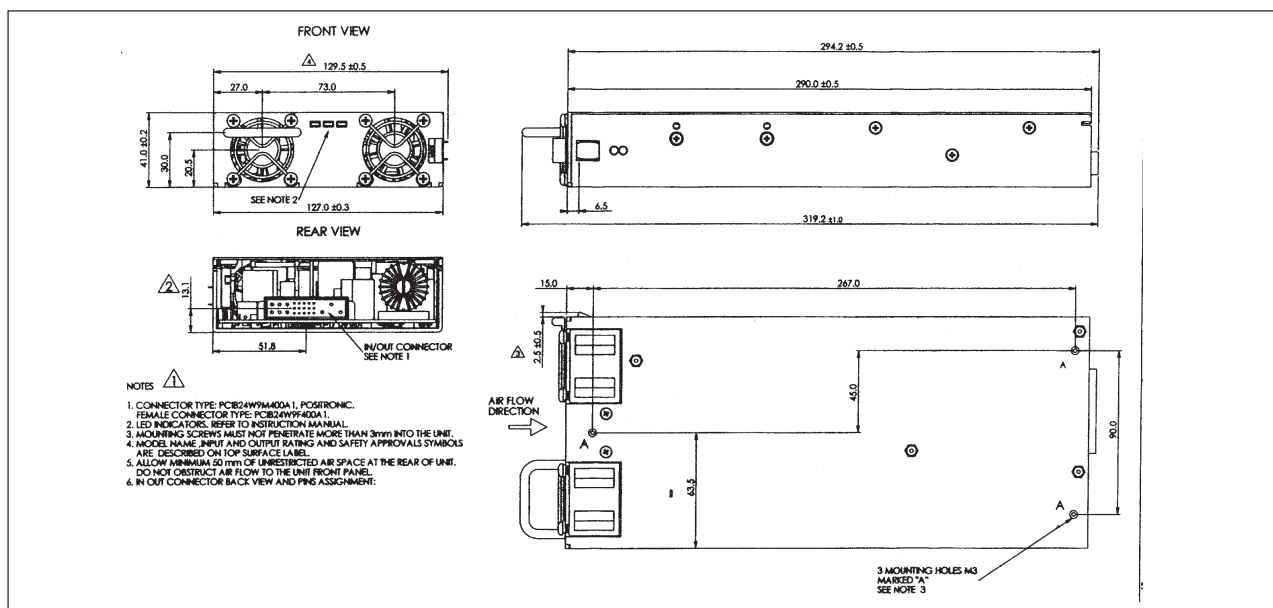
Model Selector				
Front AC Input Panel Configuration	Output Voltage	Output Current	Max Power	I ² C Interface
FPS100012/P	12V	72A	864W	No
FPS100012/PS	12V	72A	864W	Yes
FPS100024/P	24V	40A	960W	No
FPS100024/PS	24V	40A	960W	Yes
FPS100032/P	32V	31A	992W	No
FPS100032/PS	32V	31A	992W	Yes
FPS100048/P	48V	21A	1008W	No
FPS100048/PS	48V	21A	1008W	Yes
FPSS1U/P	Rack (3 slot), contains two blanking panels			
FPST1U/P	Rack with 3 individual outputs (floating)			
Rear AC Input Panel Configuration	Output Voltage	Output Current	Max Power	I ² C Interface
FPS100012	12V	72A	864W	No
FPS100012/S	12V	72A	864W	Yes
FPS100024	24V	40A	960W	No
FPS100024/S	24V	40A	960W	Yes
FPS100032	32V	31A	992W	No
FPS100032/S	32V	31A <td 992W	Yes	
FPS100048	48V	21A	1008W	No
FPS100048/S	48V	21A	1008W	Yes
FPSS1U	Rack (3 slot), contains two blanking panels			
FPST1U	Rack with 3 individual outputs (floating)			

Options	
Suffix	Description
/POE*	1500VAC Output to Ground Isolation (output noise 400mV)
*FPS100048 only	

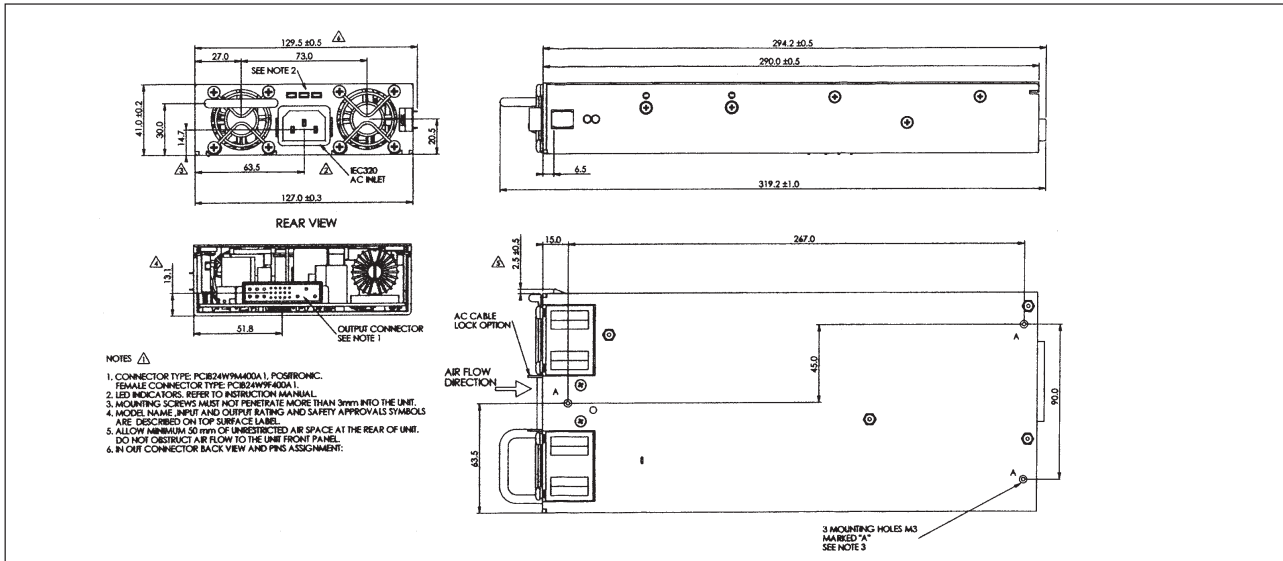
Full System (3 Modules & FPS s1U rack)

FPS3000 -	XX	/ X	
	12	BLANK	= Standard
	24	S	= I ² C
	32	P	= FRONT AC INPUT
	48		

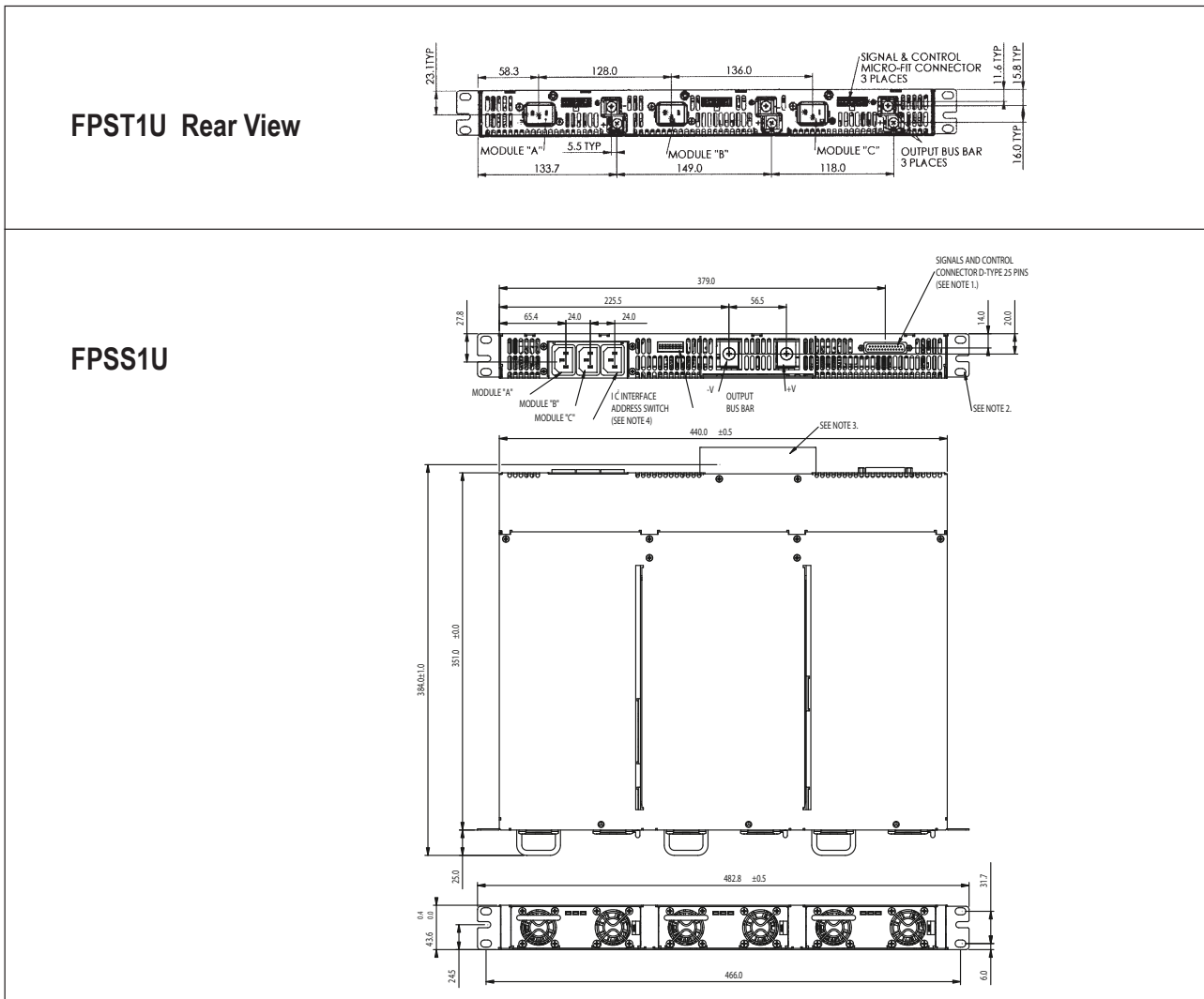
Outline Drawing FPS1000 Series



Outline Drawing FPS1000/P Series



Outline Drawing FPS Racks



TDK-LAMBDA EMEA

www.emea.tdk-lambda.com



TDK-Lambda France SAS

Route de Grivery
ZAC des Delaches
CS 41077
91978 Courtaboeuf Cedex
France
Tel: +33 1 60 12 71 65
Fax: +33 1 60 12 71 66
france@fr.tdk-lambda.com
www.fr.tdk-lambda.com



Italy Sales Office
Via dei Lavoratori 128/130
20092 Cinisello Balsamo (MI)
Italy
Tel: +39 02 61 29 38 63
Fax: +39 02 61 29 09 00
info.italia@it.tdk-lambda.com
www.it.tdk-lambda.com



TDK-Lambda Germany GmbH

Karl-Bold-Strasse 40
77855 Achern
Germany
Tel: +49 7841 666 0
Fax: +49 7841 5000
info.germany@de.tdk-lambda.com
www.de.tdk-lambda.com



Austria Sales Office
Aredstrasse 22
2544 Leobersdorf
Austria
Tel: +43 2256 655 84
Fax: +43 2256 645 12
info.germany@de.tdk-lambda.com
www.de.tdk-lambda.com



TDK-Lambda UK Ltd.

Kingsley Avenue
Ilfracombe
Devon EX34 8ES
United Kingdom
Tel: +44 (0) 12 71 85 66 66
Fax: +44 (0) 12 71 86 48 94
powersolutions@uk.tdk-lambda.com
www.uk.tdk-lambda.com



Nemic Lambda Ltd.

Kibbutz
Givat Hashlosha 48800
Israel
Tel: +9 723 902 4333
Fax: +9 723 902 4777
info@nemic.co.il
www.nemic.co.il



Russia

Technical Support:
St Petersburg
Tel: +7 (812) 6580463
Sales:
Moscow
Tel: +7 (499) 7557732
info@tdk-lambda.ru
www.tdk-lambda.ru

LOCAL DISTRIBUTION

