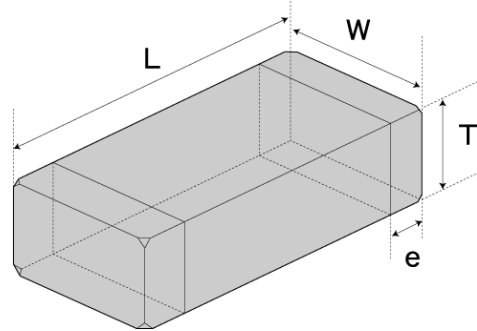


Data Sheet

Multilayer Chip Bead Inductors for Power Lines (BK series P type)

BKP1608HS181 - T



■ Features

- Item Summary
180 , 1.5A, 0603
- Lifecycle Stage
Mass Production
- Standard packaging quantity (minimum)
Taping 4000pcs

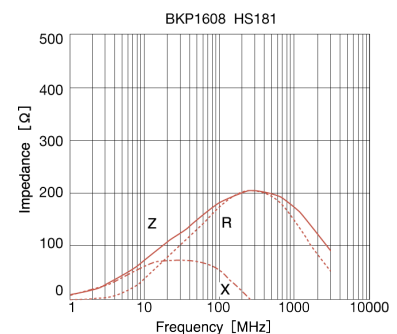
■ Products characteristics table

CaseSize (EIA/JIS)	0603/1608
Impedance	180
Impedance Measuring Frequency	100MHz
Rated Current	1.5A
DC Resistance (max)	75m
Temperature Range	-55 to 85
RoHS Compliance	
Halogen Free	
Soldering Method	Reflow/Wave

■ External Dimensions

L	1.6mm ± 0.15
W	0.8mm ± 0.15
T	0.8mm ± 0.15
e	0.3mm ± 0.2

■ Typical Characteristics Fig.



The data is reference only. Electrical characteristics vary depending on environment or measurement condition.
 TAIYO YUDEN reserves the right to make change to the Date at any time without notice.
 Before making final selection, please check product specification.