

RJF « EZ »

Ethernet Connection System for Harsh Environment – Industrial Ethernet

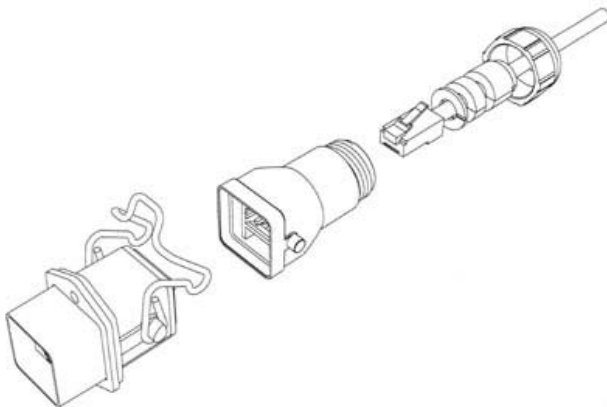
Description

RJ Field allows you to use an Ethernet Class D / Cat. 5e connection for 10 BaseT, 100 BaseTX or 1000 BaseT networks in harsh environments:

- Sealed against fluids and dusts (IP67)
- Shock, Vibration and Traction resistant
- No cabling operation in field and no tools required

With the patented RJStop® system you can use a **standard RJ45 cordset** in a protective composite plug which will protect it from shocks, dust and fluids.

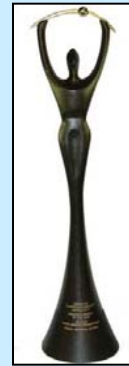
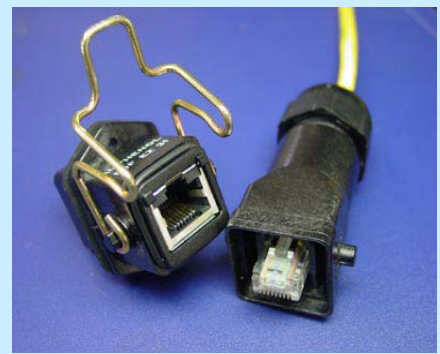
No hazardous in-field cabling and grounding !



This RJF “EZ” plug is connected into a receptacle, using a **quick** user-friendly **Lever** coupling mechanism. On the receptacle, one female RJ45 is soldered onto a PCB allowing for the following back terminations :

- another female RJ45
- a RJ45 cordset
- a IDC modules

The RJ45 cordset shielding is transmitted to the RJ45 receptacle through lateral grounding fingers.



*Electronica 2004 :
RJFEZ awarded « Component
Product of the Year »*

Transform your RJ45
cordset into a **rectangular**
IP67 Connector !

Applications

- Telecom Equipments
- Video Control
- Robotics
- Industrial Process Control
- CNC Machines
- Special Machines
- Motion Control
- Tele-maintenance

DOC-000049-ANG-E Nov. 2004



Main Characteristics

Data Transmission

- 10 BaseT, 100 BaseTX and 1000 BaseT networks
Cat 5e per TIA/EIA 568B and ClassD per ISO/IEC 11801

Mechanical

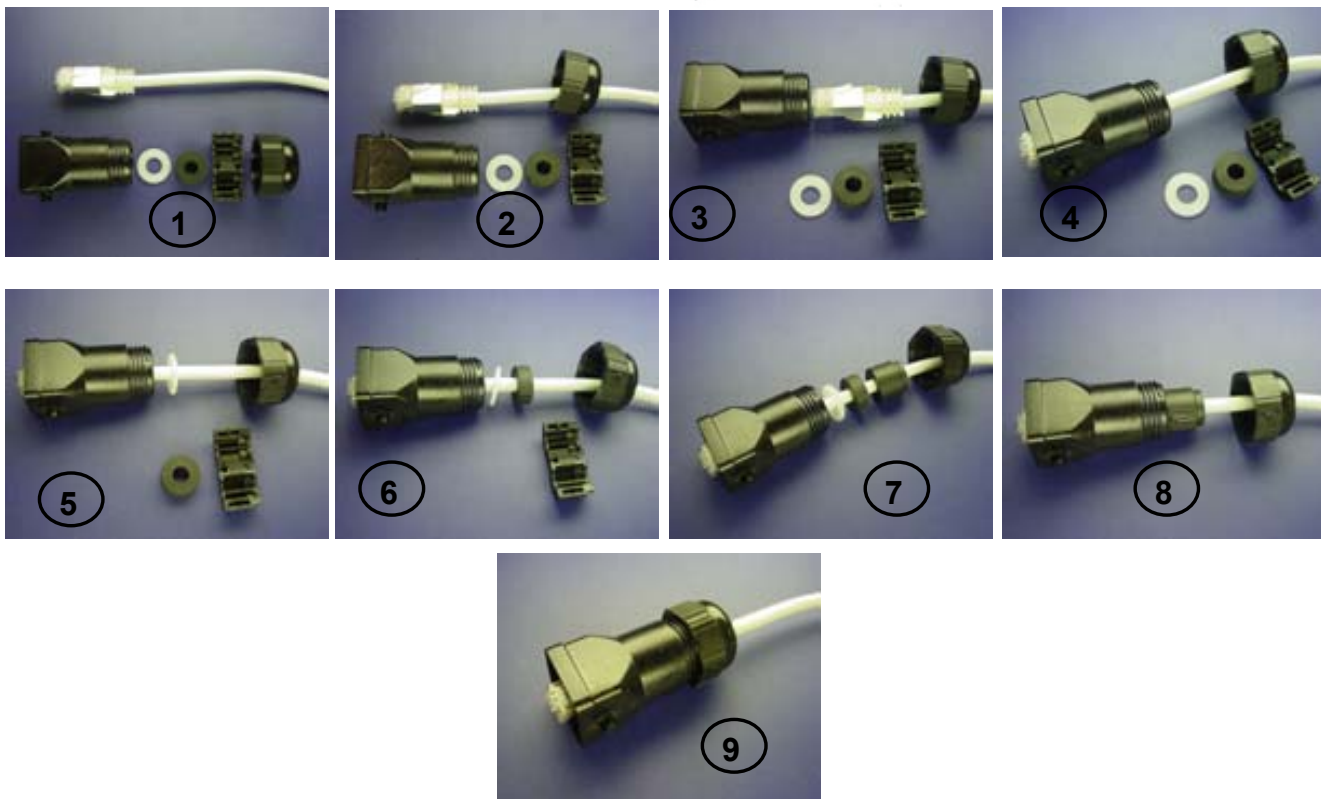
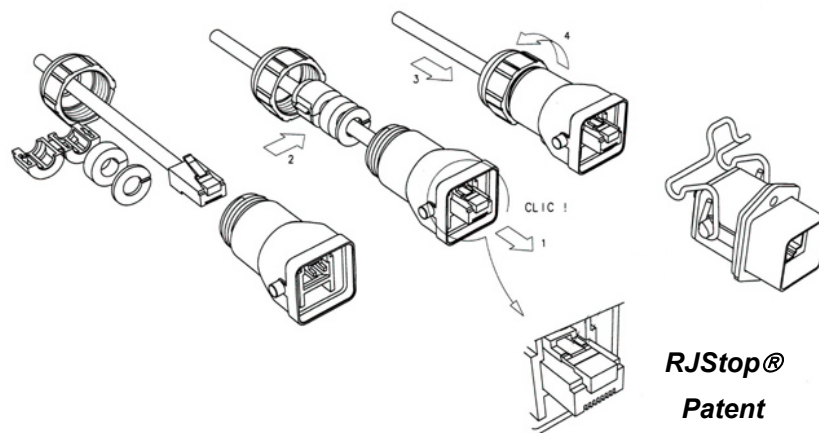
- Quick lever coupling
- RJ45 cordset retention in the plug : 70 N in the axis
- Mating cycles : 500 min

Environmental Protection

- Sealing : IP67
- Salt Spray > 1000 h
- Fire Retardant / Low Smoke : UL94 V0 and NFF 16102, DIN 5510-2
- Thermal Shock : 5 cycles at - 40°C / +100°C
- Operating Temperature : - 40°C / +85°C

Assembly Instructions

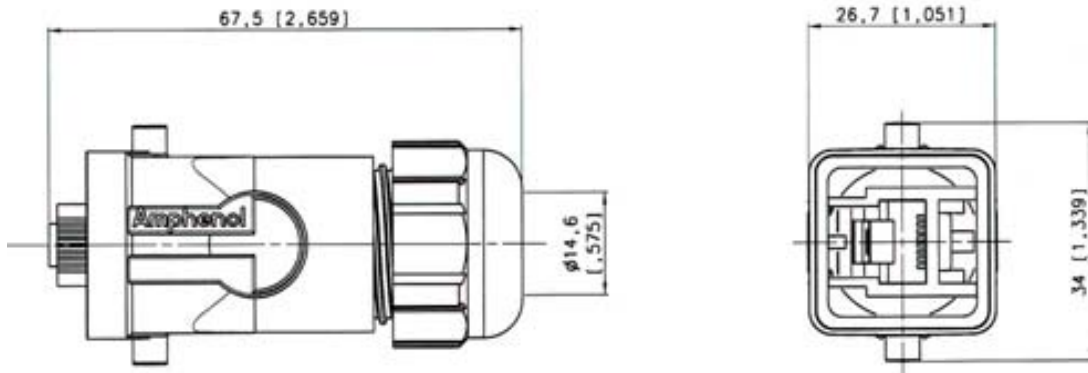
Universal : Can be used with all standard * RJ45 Cat.5e cordset brands
Easy and Safe : No field cabling tools required



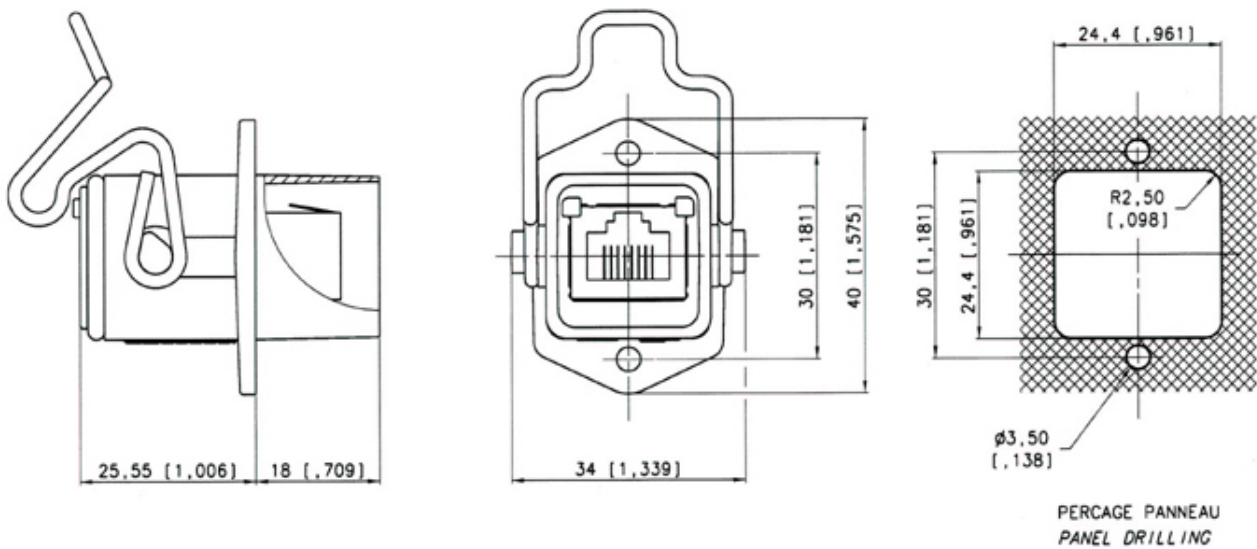
* The RJStop® system allows the use of standard RJ45 cordsets regardless their Brand.
 However, Amphenol Socapex can provide Cat5-5e cordset with reinforced jacket to be used
 in harsh environments (shocks, oils, fuel,...). Please consult factory.



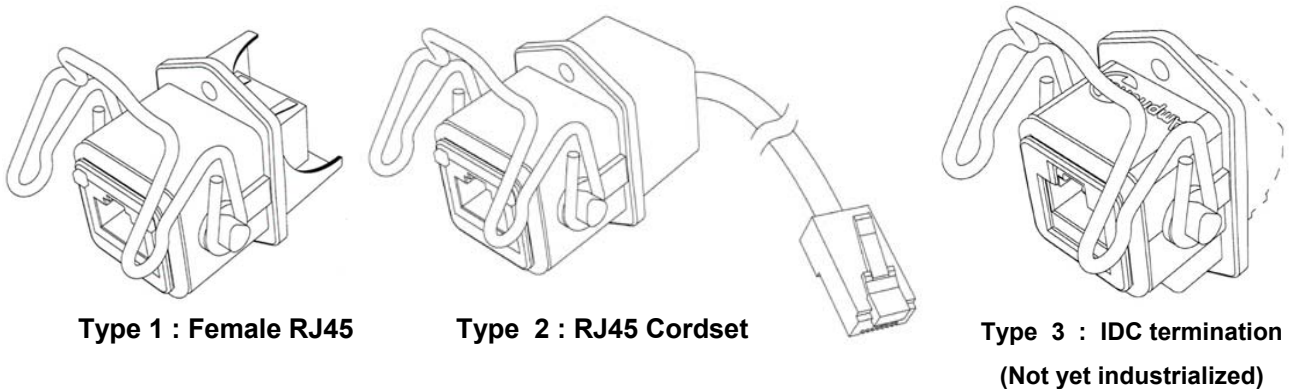
Plug Type 6 Shell with Plastic Gland



Receptacle Receptacle with 2 mounting holes



Back Terminations :



Notes : - Type 2 without RJ45 plug at the end of the cable are also available : consult factory



Part Number Code

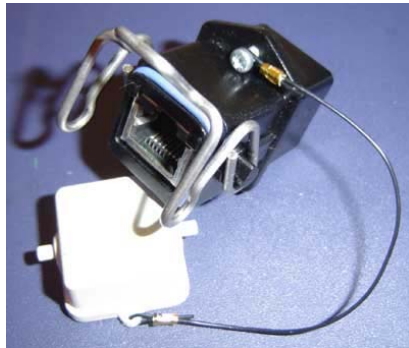
HOW TO ORDER

Series	RJF EZ	2	2	03	100 BTX
RJField EZ - Lever					
Shell Type					
6 : Composite Lever Plug, Plastic Gland					
2 : Composite Square Flange Receptacle					
Back Terminations (For Receptacles only)					
1 : Female RJ45					
2 : RJ45 Cordset					
Cordset Length (For Receptacles with "2" Back Termination only)					
03 : 0.3 meters [11.81 inches]					
05 : 0.5 meters [19.68 inches]					
10 : 1 meter [39.37 inches]					
15 : 1.5 meters [59.05 inches]					
Cabling Configuration (For "2" Receptacles only)					
100BTX : 10/100 Base TX					
568A					
568B					

- Examples :
- Plug: RJF EZ 6
 - Receptacle, Female RJ45 Back termination: RJF EZ 21
 - Receptacle, 1,5m [59.05"] 100 BTX cordset termination: RJF EZ 22 15 100BTX

Accessories

- IP67 Dust Caps



For Plugs : **Not available**

For Receptacles : **RJF EZ BE**

- Panel Gasket (Thickness : 1 mm [.039]) : Part No. **RJF EZ JE**



- Cat5 – 5e cordsets with reinforced jacket to be used in harsh environments (shocks, oils, fuel,...). Please consult factory.

