

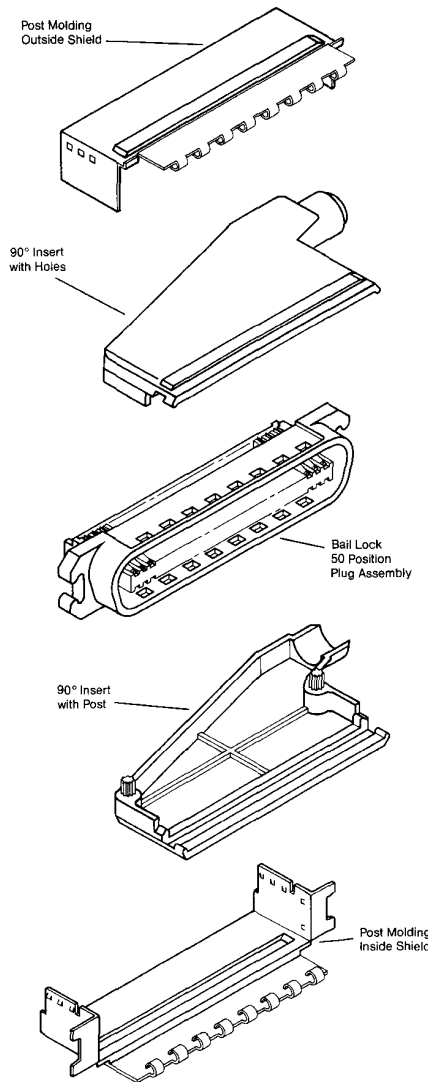
**Shielded CHAMP Cable Connector Kits** (Continued)

CHAMP .085 Centerline  
Miniature Ribbon Connector Systems



**50-Position Plug Kit  
90° Cable Exit for Post  
Molding Operation**

(Available in 50-position only)



Wire Size				Housing Color Dot Description	Connector Color	Kit Part Number
Solid		7 Strand				
AWG	mm	AWG	mm <sup>2</sup>			
24-26	0.51-0.40	24	0.20	Blue	Gray	5-555012-1
—	—	26-27-28	0.14, 0.10, 0.09	Yellow	Gray	5-555012-2

**Notes:** Kit components only supplied (500 pcs. bulk packaged).  
Copper foil wrap. Solder operation and post molding is completed by customer.  
For post mold application, contact Tyco Electronics.  
Maximum cable bundle diameter is .370 [9.40].