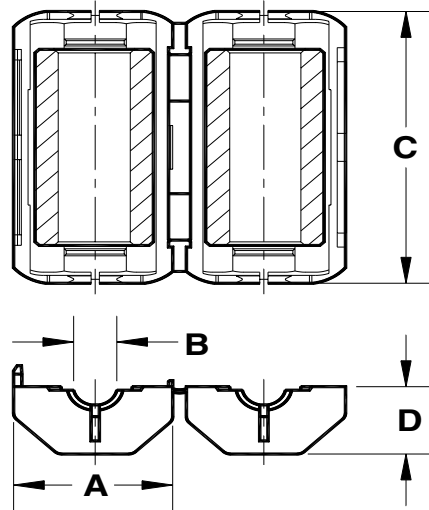


44 Material Round Cable Snap-its

Part Number 0199000032



Part Number	Cable Diameter	A	B*	C	D	Typical Impedance(Ω) ¹		Z, R _s , X _L vs. Frequency Curve See back of kit
						25 MHz	100 MHz	
0444173951	5.3 Max. .210 Max.	12.8 .504	5.1 .200	25.0 .984	5.6 .220	100	180	Figure 1
0444164951	5.3 Max. .210 Max.	17.3 .680	5.1 .200	36.2 1.42	8.4 .331	169	280	Figure 2
0444164281	7.0 Max. .275 Max.	20.0 .788	6.6 .260	39.4 1.55	9.78 .385	188	310	Figure 3
0444167281	10.5 Max. .410 Max.	23.7 .933	10.2 .400	39.4 1.55	11.70 .461	144	240	Figure 4
0444164181	13.3 Max. .525 Max.	31.0 1.220	13.0 .512	39.4 1.55	15.25 .600	156	260	Figure 5
0444176451	19.0 Max. .750 Max.	38.6 1.52	18.35 .722	47.5 1.87	19.15 .754			Figure 6

Dimensions (Bold numbers are in millimeters, light numbers are nominal in inches.)

Cases are polypropylene with a flammability rating of UL 94-V0

* "B" Dimension is the core dimension

¹Guaranteed Z Min is Z Typ -20%

Fair-Rite Products Corp. P.O. Box J, One Commercial Row, Walkill, NY 12589-0288

Phone: (888) FAIR RITE / (845) 895-2055
(888) 324-7748

FAX: (888) FERRITE / (845) 895-2629 www.fair-rite.com E-Mail: ferrites@fair-rite.com
(888) 337-7483

44-0702