



- **Heatsink suitable for mounting Crydom S1 type solid state relays.**
- **Thermal resistance (DegC/W): 4.5**
- **DIN Rail mount - Suitable for TS-35 Din rail.**

Important Note:

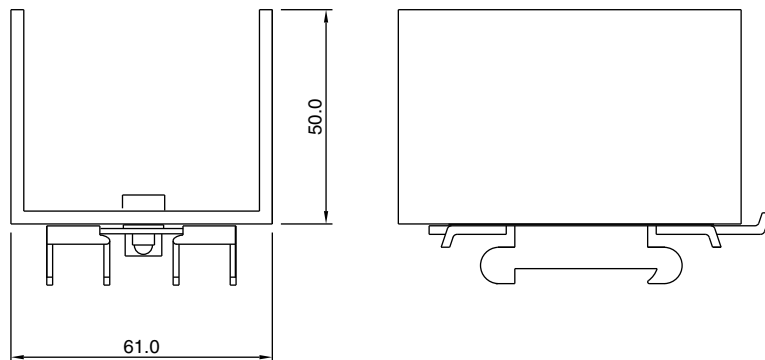
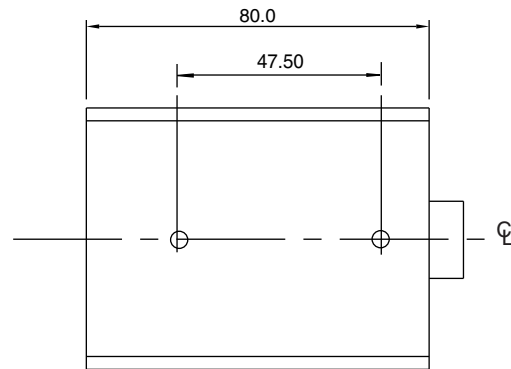
It is essential to ensure good contact between the heatsink and Crydom SSR - use Crydom Thermal pad TP01

OUTLINE DRAWING OF MS4 HEATSINK

Dimensions in mm

Consult Crydom Technical to ensure that the heatsink is suitably rated for a particular SSR.

**Tolerances excluding SSR fixing holes = $\pm 1.0\text{mm}$
SSR fixing holes centres = $\pm 0.5\text{mm}$**



The heatsink is supplied with two mounting screws - Skt Hd M4 x12mm

For recommended applications and more information contact:

USA: Sales Support (877) 502-5500 Tech Support (877) 702-7700 FAX (619) 710-8540

Crydom Corp, 2320 Paseo de las Americas, Ste. 201, San Diego, CA 92154

Email: sales@crydom.com **WEB SITE:** http://www.crydom.com

UK: +44 (0)1202 365070 **FAX** +44 (0)1202 365090 Crydom International Ltd., 7 Cobham

Road, Ferndown Industrial Estate, Ferndown, Dorset BH21 7PE, **Email:** intsales@crydom.com.

GERMANY: +49 (0)180 3000 506