

# LM392

## Low Power Operational Amplifier and Comparator

The LM392 contains two functions: an op amp and a comparator. Both devices can operate on single-supply power and both have a common-mode range down to ground. Operation from split power supplies is also possible. Low power-supply current is independent of the supply voltage level. The output of the comparator interfaces directly with either TTL or CMOS logic. Low quiescent current makes the LM392 ideal for portable equipment.

### Features

- Wide Power-Supply Range: 3 V to 32 V
- Low Input Offset Voltage: 2 mV
- Low Quiescent Current: 600  $\mu$ A
- Input CMV Range includes GND
- Op Amp is Unity Gain Stable
- These Devices are Pb-Free and are RoHS Compliant

### Typical Applications

- Level Detectors
- Voltage Controlled Oscillators
- Transducer Amplifiers

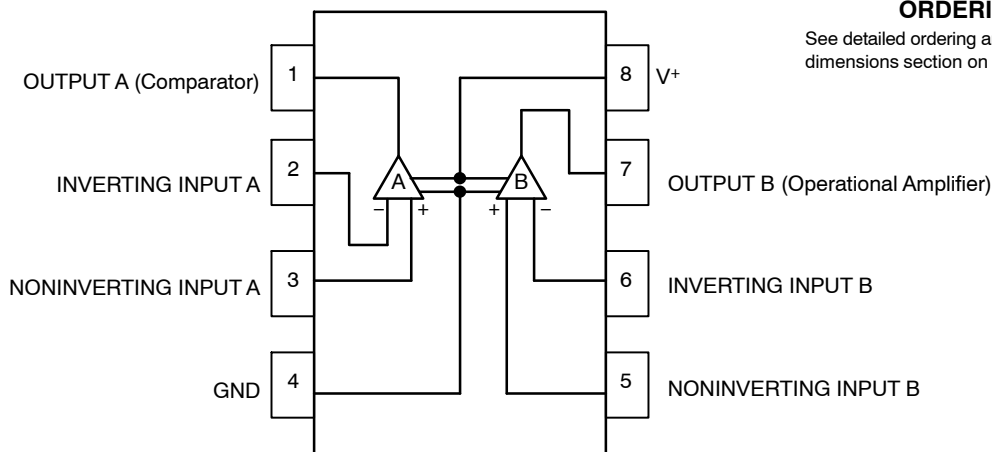


Figure 1. Logic Diagram and Pinout



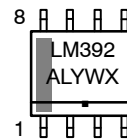
ON Semiconductor®

<http://onsemi.com>



SOIC-8 NB  
CASE 751

### MARKING DIAGRAM



XXXXX = Specific Device Code  
A = Assembly Location  
L = Wafer Lot  
Y = Year  
W = Work Week  
▪ = Pb-Free Package

### ORDERING INFORMATION

See detailed ordering and shipping information in the package dimensions section on page 4 of this data sheet.

# LM392

## MAXIMUM RATINGS

Rating	Symbol	Value	Unit
Supply Voltage	$V_S$	32 or $\pm 16$	V
Differential Input Voltage	$V_{IDR}$	32	V
Input Voltage	$V_I$	0.3 to 32	V
Output Short – Circuit to Ground	$t_{SO}$	Continuous	
Thermal Impedance	$\theta_{JA}$	160	$^{\circ}\text{C}/\text{W}$
Storage Temperature Range	$T_{stg}$	-65 to 150	$^{\circ}\text{C}$
Lead Temperature (Soldering, 10 Seconds)		260	$^{\circ}\text{C}$

Stresses exceeding Maximum Ratings may damage the device. Maximum Ratings are stress ratings only. Functional operation above the Recommended Operating Conditions is not implied. Extended exposure to stresses above the Recommended Operating Conditions may affect device reliability.

# LM392

## ELECTRICAL CHARACTERISTICS (Both Amplifiers) ( $V^+ = 5\text{ V}$ , $T_A = 25^\circ\text{C}$ unless otherwise stated)

Parameter	Conditions	$T_A$	LM392			Unit	
			Min	Typ	Max		
Input Offset Voltage	At output switch point, $V_O = 1.4\text{ V}$ , $R_S = 0\ \Omega$ , $V^+ = 5\text{ V}$ to $30\text{ V}$ , $V_{CM} = 0$ to ( $V^+ - 1.5\text{ V}$ )	$25^\circ\text{C}$		$\pm 2$	$\pm 5$	mV	
		$0^\circ\text{C}$ to $70^\circ\text{C}$			$\pm 7$		
Input Bias Current	IN(+) or IN(-), $V_{CM} = 0\text{ V}$	$25^\circ\text{C}$		50	205	nA	
	IN(+) or IN(-)	$0^\circ\text{C}$ to $70^\circ\text{C}$			400		
Input Offset Current	IN(+) or IN(-)	$25^\circ\text{C}$		$\pm 5$	$\pm 50$	nA	
		$0^\circ\text{C}$ to $70^\circ\text{C}$			$\pm 150$		
Input Common-Mode Voltage Range	$V^+ = 30\text{ V}$ (Note 1)	$25^\circ\text{C}$	0		$V^+ - 1.5$	V	
		$0^\circ\text{C}$ to $70^\circ\text{C}$	0		$V^+ - 2$		
Supply Current	No Load	$0^\circ\text{C}$ to $70^\circ\text{C}$		$V^+ = 30\text{ V}$	1	2	mA
				$V^+ = 5\text{ V}$	0.5	1	
Amplifier-to-Amplifier Coupling	$f = 1\text{ kHz}$ to $20\text{ kHz}$ , Input Referred	$25^\circ\text{C}$		-78		dB	
Differential Input Voltage	All $V_{IN} \geq V$ (or $V^-$ , If Used)	$0^\circ\text{C}$ to $70^\circ\text{C}$			32	V	

## ELECTRICAL CHARACTERISTICS ( $V^+ = 5\text{ V}$ , $T_A = 25^\circ\text{C}$ unless otherwise stated)

Parameter	Conditions	$T_A$	LM392			Unit
			Min	Typ	Max	
<b>OP AMP ONLY</b>						
Large Signal Voltage Gain	$V^+ = 15\text{ V}$ , $V_O$ Swing = $1\text{ V}$ to $11\text{ V}$ , $R_L = 2\text{ k}\Omega$	$25^\circ\text{C}$	25	100		V/mV
Output Voltage Swing, High ( $V_{OH}$ )	$R_L = 2\text{ k}\Omega$	$25^\circ\text{C}$	$V^+ - 1.7$			V
Output Voltage Swing, Low ( $V_{OL}$ )	$R_L = 2\text{ k}\Omega$	$25^\circ\text{C}$			20	mV
Common-Mode Rejection Ratio	$V_{CM} = 0$ to $V^+ - 1.5\text{ V}$	$25^\circ\text{C}$	65	70		dB
Power Supply Rejection Ratio		$25^\circ\text{C}$	65	100		dB
Output Current Source	$V_{IN(+)} = 1\text{ V}$ , $V_{IN(-)} = 0\text{ V}$ , $V^+ = 15\text{ V}$ , $V_O = 2\text{ V}$	$25^\circ\text{C}$	20	40		mA
Output Current Sink	$V_{IN(-)} = 1\text{ V}$ , $V_{IN(+)} = 0\text{ V}$ , $V^+ = 15\text{ V}$ , $V_O = 2\text{ V}$	$25^\circ\text{C}$	10	20		mA
	$V_{IN(-)} = 1\text{ V}$ , $V_{IN(+)} = 0\text{ V}$ , $V^+ = 15\text{ V}$ , $V_O = 200\text{ mV}$	$25^\circ\text{C}$	12	50		$\mu\text{A}$
Input Offset Voltage Drift	$R_S = 0\ \Omega$ ( $0^\circ\text{C}$ to $70^\circ\text{C}$ )	$0^\circ\text{C}$ to $70^\circ\text{C}$		7		$\mu\text{V}/^\circ\text{C}$
Input Offset Current Drift	$R_S = 0\ \Omega$ ( $0^\circ\text{C}$ to $70^\circ\text{C}$ )	$0^\circ\text{C}$ to $70^\circ\text{C}$		10		$\text{pA}/^\circ\text{C}$
<b>COMPARATOR ONLY</b>						
Voltage Gain	$R_L \geq 15\text{ k}\Omega$ , $V^+ = 15\text{ V}$	$25^\circ\text{C}$	50	200		V/mV
Large Signal Response Time	$V_{IN} = \text{TTL Logic Swing}$ , $V_{REF} = 1.4\text{ V}$ , $V_{RL} = 5\text{ V}$ , $R_L = 5.1\text{ k}\Omega$	$25^\circ\text{C}$		200		ns
Response Time	$V_{RL} = 5\text{ V}$ , $R_L = 5.1\text{ k}\Omega$	$25^\circ\text{C}$		600		ns
Output Sink Current	$V_{IN(-)} = 1\text{ V}$ , $V_{IN(+)} = 0\text{ V}$ , $V_O \geq 1.5\text{ V}$	$25^\circ\text{C}$	6	16		mA
Saturation Voltage	$V_{IN(-)} \geq 1\text{ V}$ , $V_{IN(+)} = 0$ , $I_{SINK} \leq 4\text{ mA}$	$25^\circ\text{C}$		250	400	mV
	$V_{IN(-)} \geq 1\text{ V}$ , $V_{IN(+)} = 0$ , $I_{SINK} \leq 4\text{ mA}$	$0^\circ\text{C}$ to $70^\circ\text{C}$			700	mV
Output Leakage Current	$V_{IN(-)} = 0$ , $V_{IN(+)} \geq 1\text{ V}$ , $V_O = 5\text{ V}$	$25^\circ\text{C}$		0.1		nA
	$V_{IN(-)} = 0$ , $V_{IN(+)} \geq 1\text{ V}$ , $V_O = 30\text{ V}$	$25^\circ\text{C}$			1.0	$\mu\text{A}$

1. The input common-mode voltage or either input signal voltage should not be allowed to go negative by more than 0.3 V. The upper end of the common-mode voltage range is  $V^+ - 1.5\text{ V}$ , but either or both inputs can go to 32 V without damage.

# LM392

## ORDERING INFORMATION

Device	Operating Temperature Range	Package	Shipping <sup>†</sup>
LM392DR2G	0°C to +70°C	SOIC-8 (Pb-Free)	2500 / Tape & Reel

<sup>†</sup>For information on tape and reel specifications, including part orientation and tape sizes, please refer to our Tape and Reel Packaging Specifications Brochure, BRD8011/D.

