

# DS26LV31T

## 3V Enhanced CMOS Quad Differential Line Driver

### General Description

The DS26LV31T is a high-speed quad differential CMOS driver that meets the requirements of both TIA/EIA-422-B and ITU-T V.11. The CMOS DS26LV31T features low static  $I_{CC}$  of 100  $\mu A$  MAX which makes it ideal for battery powered and power conscious applications.

Differential outputs have the same  $V_{OD}$  guarantee ( $\geq 2V$ ) as the 5V version.

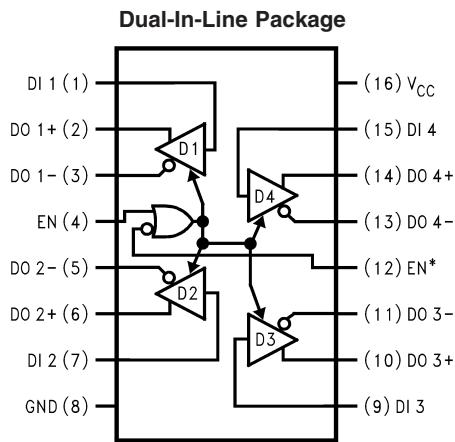
The EN and EN\* inputs allow active Low or active High control of the TRI-STATE® outputs. The enables are common to all four drivers. Protection diodes protect all the driver inputs against electrostatic discharge. Outputs have enhanced ESD protection providing greater than 7 kV tolerance. The driver and enable inputs (DI, EN, EN\*) are compatible with low voltage LVTTTL and LVCMOS devices.

- Interoperable with existing 5V RS-422 networks
- Industrial and Military temperature range
- Guaranteed  $V_{OD}$  of 2V min over operating conditions
- Balanced output crossover for low EMI (typical within 40 mV of 50% voltage level)
- Low power design (330  $\mu W$  @ 3.3V static)
- ESD  $\geq 7$  kV on cable I/O pins (HBM)
- Guaranteed AC parameter:
  - Maximum driver skew: 2 ns
  - Maximum transition time: 10 ns
- Pin compatible with DS26C31
- Available in SOIC and Cerpack packaging
- Standard Microcircuit Drawing (SMD) 5962-98584

### Features

- Industrial product meets TIA/EIA-422-B (RS-422) and ITU-T V.11 recommendation
- Military product conforms to TIA/EIA-422-B (RS-422)

### Connection Diagram



01264201

**Top View**

**Order Number DS26LV31TM or DS26LV31W**  
**See NS Package Number M16A or W16A**

### Truth Table

Enables		Input DI	Outputs	
EN	EN*		DO+	DO-
L	H	X	Z	Z
All other combinations of enable inputs		L	L	H
		H	H	L

L = Low logic state  
 X = Irrelevant  
 H = High logic state  
 Z = TRI-STATE

TRI-STATE® is a registered trademark of National Semiconductor Corporation.

**Absolute Maximum Ratings** (Note 1)

If Military/Aerospace specified devices are required, please contact the National Semiconductor Sales Office/Distributors for availability and specifications.

Supply Voltage ( $V_{CC}$ )	-0.5V to +7V
Enable Input Voltage (EN, EN*)	-0.5V to $V_{CC} + 0.5V$
Driver Input Voltage (DI)	-0.5V to $V_{CC} + 0.5V$
Clamp Diode Current	$\pm 20$ mA
DC Output Current, per pin	$\pm 150$ mA
Driver Output Voltage (Power Off: DO+, DO-)	-0.5V to +7V
Maximum Package Power Dissipation @+25°C	
M Package	1226 mW
W Package	1119 mW
Derate M Package 9.8 mW/°C above +25°C	
Derate W Package 7.5 mW/°C above +25°C	
Storage Temperature Range	-65°C to +150°C

Lead Temperature Range

Soldering

(4 sec.)

+260°C

ESD Ratings (HBM, 1.5 k $\Omega$ ,  
100 pF)

Driver Outputs

 $\geq 7$  kV

Other Pins

 $\geq 2.5$  kV**Recommended Operating Conditions**

	Min	Typ	Max	Units
Supply Voltage ( $V_{CC}$ )	3.0	3.3	3.6	V
Operating Free Air Temperature Range ( $T_A$ )				
DS26LV31T	-40	+25	+85	°C
DS26LV31W	-55	+25	+125	°C
Input Rise and Fall Time			500	ns

**Electrical Characteristics** (Note 2) (Note 3)

Over supply voltage and operating temperature ranges, unless otherwise specified

Symbol	Parameter	Conditions	Pin	Min	Typ	Max	Units	
$V_{OD1}$	Output Differential Voltage	$R_L = \infty$ (No Load)	DO+,		3.3	4	V	
$V_{OD2}$	Output Differential Voltage	$R_L = 100\Omega$ (Figure 1)	DO-	2	2.6		V	
$\Delta V_{OD2}$	Change in Magnitude of Output Differential Voltage	$I_O \geq 20$ mA		-400	7	400	mV	
$V_{OD3}$	Output Differential Voltage	$R_L = 3900\Omega$ (V.11) Figure 1 (Note 7)			3.2	3.6	V	
$V_{OC}$	Common Mode Voltage	$R_L = 100\Omega$ (Figure 1)			1.5	2	V	
$\Delta V_{OC}$	Change in Magnitude of Common Mode Voltage			-400	6	400	mV	
$I_{OZ}$	TRI-STATE Leakage Current	$V_{OUT} = V_{CC}$ or GND Drivers Disabled			$\pm 0.5$	$\pm 20$	$\mu$ A	
$I_{SC}$	Output Short Circuit Current	$V_{OUT} = 0V$ $V_{IN} = V_{CC}$ or GND (Note 4)	$T_A = -40^\circ\text{C}$ to $+85^\circ\text{C}$	-40	-70	-150	mA	
			$T_A = -55^\circ\text{C}$ to $+125^\circ\text{C}$ (Note 10)	-30		-160	mA	
$I_{OFF}$	Output Leakage Current	$V_{CC} = 0V$ , $V_{OUT} = 3V$ or $6V$			0.03	100	$\mu$ A	
			$V_{CC} = 0V$ , $V_{OUT} = -0.25V$	$T_A = -40^\circ\text{C}$ to $+85^\circ\text{C}$		-0.08	-100	$\mu$ A
			$T_A = -55^\circ\text{C}$ to $+125^\circ\text{C}$			-200	$\mu$ A	
$V_{IH}$	High Level Input Voltage		DI,	2.0		$V_{CC}$	V	
$V_{IL}$	Low Level Input Voltage		EN,	GND		0.8	V	
$I_{IH}$	High Level Input Current	$V_{IN} = V_{CC}$	EN*			10	$\mu$ A	
$I_{IL}$	Low Level Input Current	$V_{IN} = \text{GND}$		-10			$\mu$ A	
$V_{CL}$	Input Clamp Voltage	$I_{IN} = -18$ mA				-1.5	V	
$I_{CC}$	Power Supply Current	No Load, $V_{IN}$ (all) $= V_{CC}$ or GND	$T_A = -40^\circ\text{C}$ to $+85^\circ\text{C}$	$V_{CC}$		100	$\mu$ A	
			$T_A = -55^\circ\text{C}$ to $+125^\circ\text{C}$			125	$\mu$ A	

## Switching Characteristics - Industrial (Note 5) (Note 6)

Over supply voltage and -40°C to +85°C operating temperature range, unless otherwise specified

Sym	Parameter	Conditions	Min	Typ	Max	Units	
$t_{PHLD}$	Differential Propagation Delay High to Low	$R_L = 100\Omega$ , $C_L = 50$ pF (Figures 2, 3)	6	10.5	16	ns	
$t_{PLHD}$	Differential Propagation Delay Low to High		6	11	16	ns	
$t_{SKD}$	Differential Skew (same channel) $ t_{PHLD} - t_{PLHD} $			0.5	2.0	ns	
$t_{SK1}$	Skew, Pin to Pin (same device)				1.0	2.0	ns
$t_{SK2}$	Skew, Part to Part (Note 8)				3.0	5.0	ns
$t_{TLH}$	Differential Transition Time Low to High (20% to 80%)				4.2	10	ns
$t_{THL}$	Differential Transition Time High to Low (80% to 20%)				4.7	10	ns
$t_{PHZ}$	Disable Time High to Z	(Figures 4, 5)		12	20	ns	
$t_{PLZ}$	Disable Time Low to Z			9	20	ns	
$t_{PZH}$	Enable Time Z to High			22	32	ns	
$t_{PZL}$	Enable Time Z to Low			22	32	ns	
$f_{max}$	Maximum Operating Frequency (Note 9)		32			MHz	

## Switching Characteristics - Military (Note 5) (Note 6)

Over supply voltage and -55°C to +125°C operating temperature range, unless otherwise specified

Sym	Parameter	Conditions	Min	Max	Units	
$t_{PHLD}$	Differential Propagation Delay High to Low	$R_L = 100\Omega$ , $C_L = 50$ pF (Figures 2, 3)	5	25	ns	
$t_{PLHD}$	Differential Propagation Delay Low to High		5	25	ns	
$t_{SKD}$	Differential Skew (same channel) $ t_{PHLD} - t_{PLHD} $				5.0	ns
$t_{SK1}$	Skew, Pin to Pin (same device)				5.0	ns
$t_{PHZ}$	Disable Time High to Z		(Figures 4, 5)		35	ns
$t_{PLZ}$	Disable Time Low to Z				35	ns
$t_{PZH}$	Enable Time Z to High				40	ns
$t_{PZL}$	Enable Time Z to Low			40	ns	

**Note 1:** "Absolute Maximum Ratings" are those values beyond which the safety of the device cannot be guaranteed. They are not meant to imply that the devices should be operated at these limits. The table of "Electrical Characteristics" specifies conditions of device operation.

**Note 2:** Current into device pins is defined as positive. Current out of device pins is defined as negative. All voltages are referenced to ground except differential voltages  $V_{OD1}$ ,  $V_{OD2}$ ,  $V_{OD3}$ .

**Note 3:** All typicals are given for  $V_{CC} = +3.3V$ ,  $T_A = +25^\circ C$ .

**Note 4:** Only one output shorted at a time. The output (true or complement) is configured High.

**Note 5:**  $f = 1$  MHz,  $t_r$  and  $t_f \leq 6$  ns, 10% to 90%.

**Note 6:** See TIA/EIA-422-B specifications for exact test conditions.

**Note 7:** This specification limit is for compliance with TIA/EIA-422-B and ITU-T V.11.

**Note 8:** Devices are at the same  $V_{CC}$  and within 5°C within the operating temperature range

**Note 9:** All channels switching, output duty cycle criteria is 40%/60% measured at 50%. This parameter is guaranteed by design and characterization.

**Note 10:** This parameter does not meet the TIA/EIA-422-B specification.

## Parameter Measurement Information

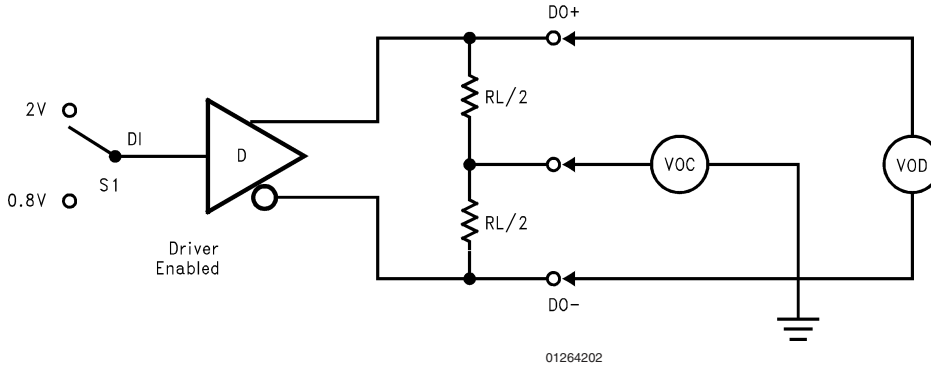


FIGURE 1. Differential Driver DC Test Circuit

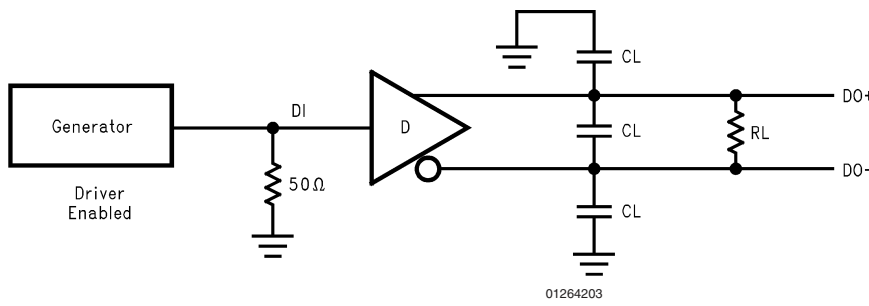


FIGURE 2. Differential Driver Propagation Delay and Transition Time Test Circuit

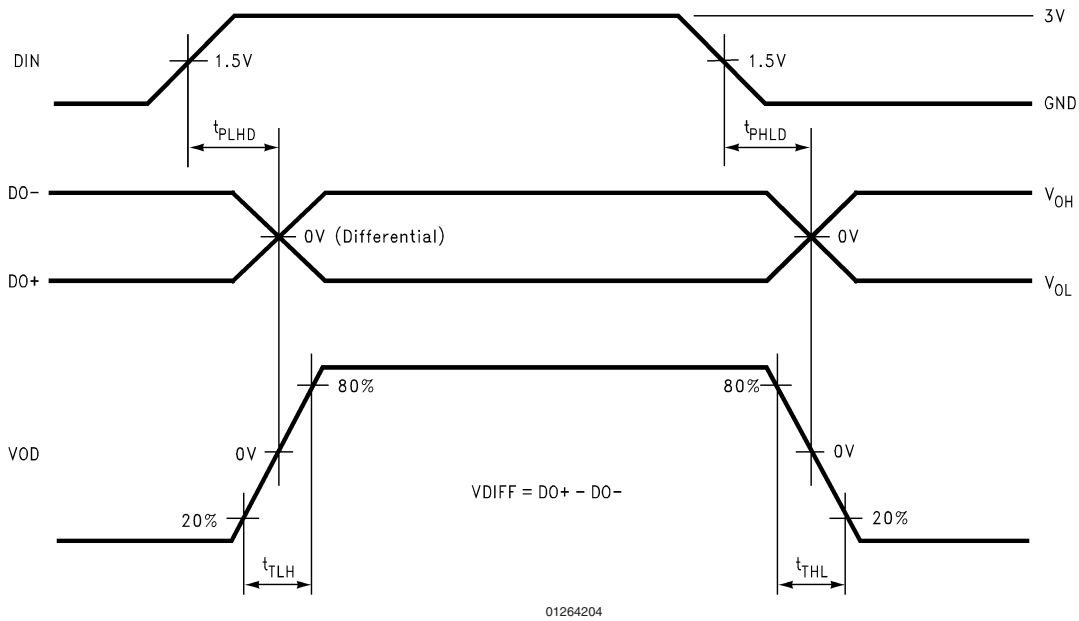
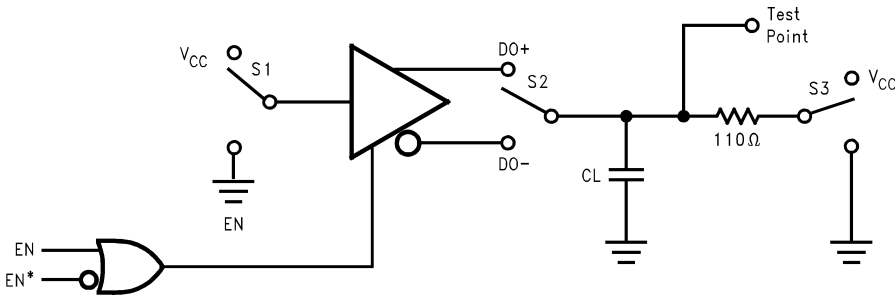


FIGURE 3. Differential Driver Propagation Delay and Transition Time Waveforms

**Note 11:** Generator waveform for all tests unless otherwise specified:  $f = 1 \text{ MHz}$ , Duty Cycle = 50%,  $Z_o = 50\Omega$ ,  $t_r \leq 10 \text{ ns}$ ,  $t_f \leq 10 \text{ ns}$ .

**Note 12:**  $C_L$  includes probe and fixture capacitance.

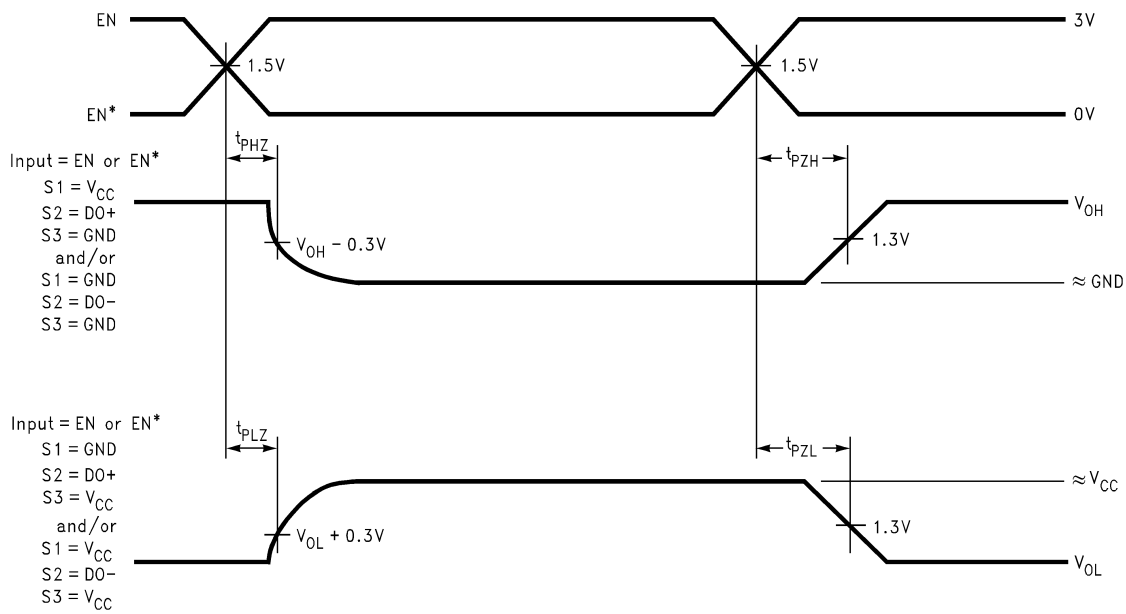
Parameter Measurement Information (Continued)



01264205

If EN is the input, then EN\* = High  
 If EN\* is the input, then EN = Low

FIGURE 4. Driver Single-Ended TRI-STATE Test Circuit



01264206

FIGURE 5. Driver Single-Ended TRI-STATE Waveforms

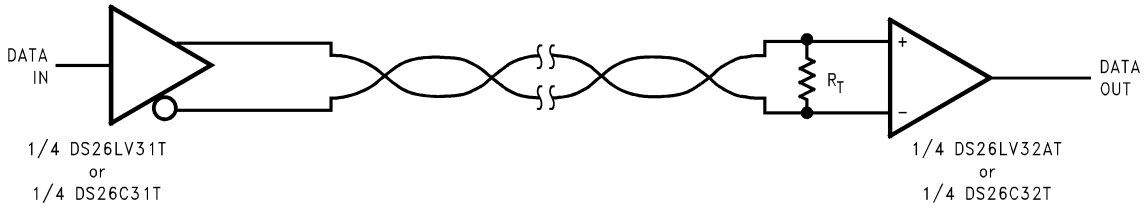
## Typical Application Information

General application guidelines and hints for differential drivers and receivers may be found in the following application notes:

AN-214, AN-457, AN-805, AN-847, AN-903, AN-912, AN-916.

### Power Decoupling Recommendations:

Bypass caps must be used on power pins. High frequency ceramic (surface mount is recommended) 0.1  $\mu$ F in parallel with 0.01  $\mu$ F at the power supply pin. A 10  $\mu$ F or greater solid tantalum or electrolytic should be connected at the power entry point on the printed circuit board.



$R_T$  is optional although highly recommended to reduce reflection.

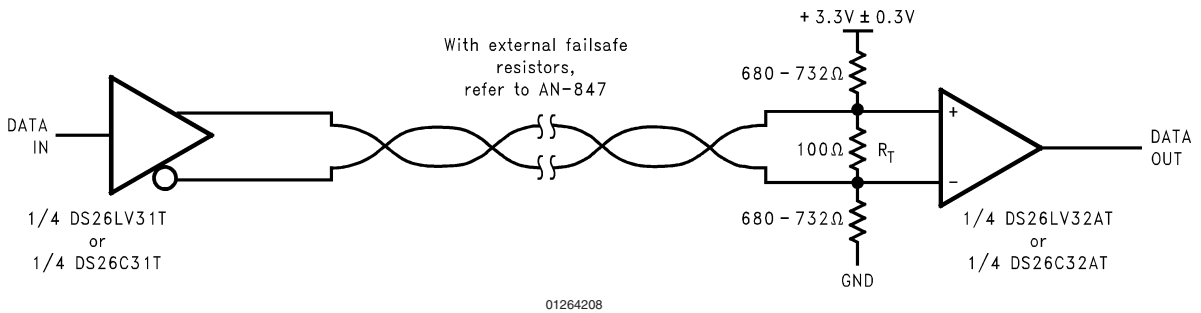


FIGURE 6. Typical Driver Connection

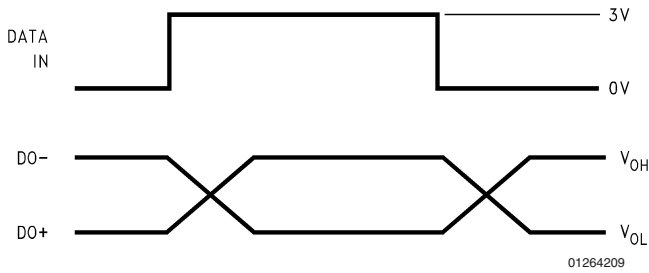
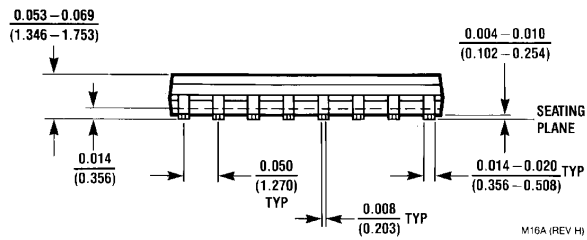
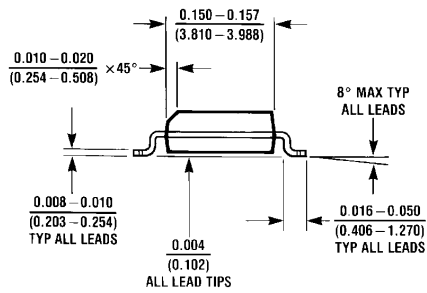
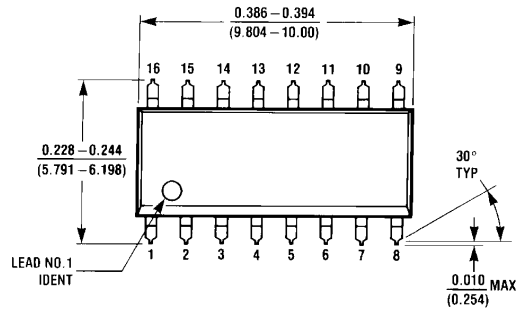


FIGURE 7. Typical Driver Output Waveforms

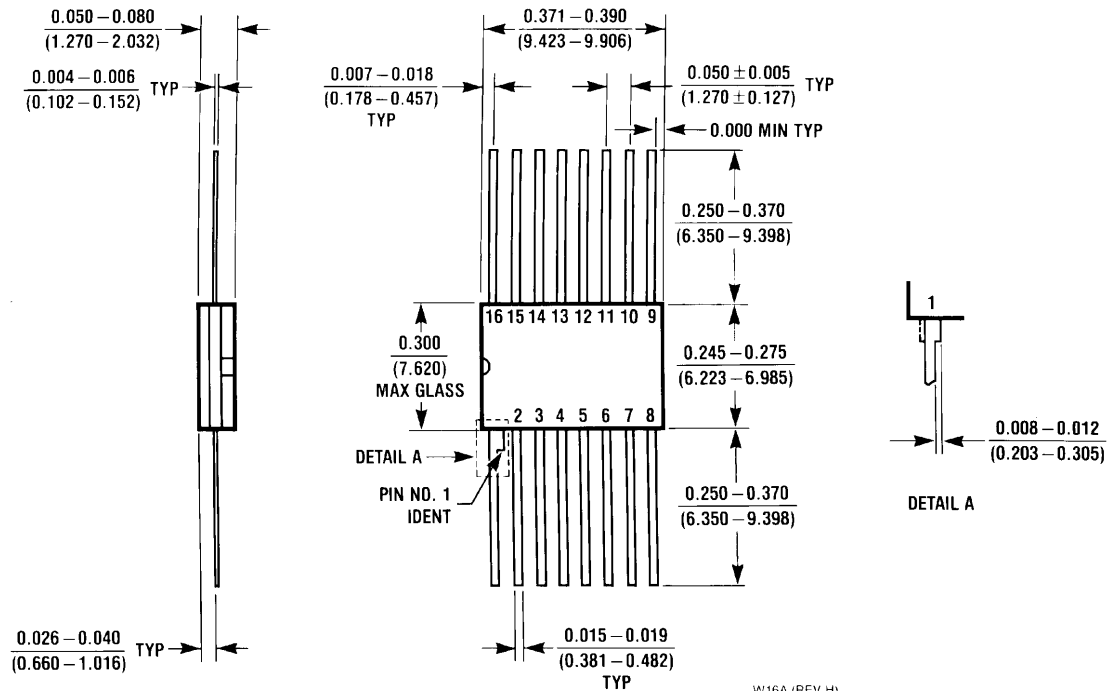
**Physical Dimensions** inches (millimeters)

unless otherwise noted



**16-Lead Molded Small Outline Package (M)**  
**Order Number DS26LV31TM**  
**NS Package Number M16A**

**Physical Dimensions** inches (millimeters) unless otherwise noted (Continued)



**16-Lead Ceramic Flatpack (W)**  
**Order Number DS26LV31W**  
**NS Package Number W16A**

W16A (REV H)

**LIFE SUPPORT POLICY**

NATIONAL'S PRODUCTS ARE NOT AUTHORIZED FOR USE AS CRITICAL COMPONENTS IN LIFE SUPPORT DEVICES OR SYSTEMS WITHOUT THE EXPRESS WRITTEN APPROVAL OF THE PRESIDENT AND GENERAL COUNSEL OF NATIONAL SEMICONDUCTOR CORPORATION. As used herein:

1. Life support devices or systems are devices or systems which, (a) are intended for surgical implant into the body, or (b) support or sustain life, and whose failure to perform when properly used in accordance with instructions for use provided in the labeling, can be reasonably expected to result in a significant injury to the user.
2. A critical component is any component of a life support device or system whose failure to perform can be reasonably expected to cause the failure of the life support device or system, or to affect its safety or effectiveness.

**BANNED SUBSTANCE COMPLIANCE**

National Semiconductor certifies that the products and packing materials meet the provisions of the Customer Products Stewardship Specification (CSP-9-111C2) and the Banned Substances and Materials of Interest Specification (CSP-9-111S2) and contain no "Banned Substances" as defined in CSP-9-111S2.



**National Semiconductor**  
**Americas Customer**  
**Support Center**  
 Email: new.feedback@nsc.com  
 Tel: 1-800-272-9959

**National Semiconductor**  
**Europe Customer Support Center**  
 Fax: +49 (0) 180-530 85 86  
 Email: europe.support@nsc.com  
 Deutsch Tel: +49 (0) 69 9508 6208  
 English Tel: +44 (0) 870 24 0 2171  
 Français Tel: +33 (0) 1 41 91 8790

**National Semiconductor**  
**Asia Pacific Customer**  
**Support Center**  
 Email: ap.support@nsc.com

**National Semiconductor**  
**Japan Customer Support Center**  
 Fax: 81-3-5639-7507  
 Email: jpn.feedback@nsc.com  
 Tel: 81-3-5639-7560

www.national.com

National does not assume any responsibility for use of any circuitry described, no circuit patent licenses are implied and National reserves the right at any time without notice to change said circuitry and specifications.