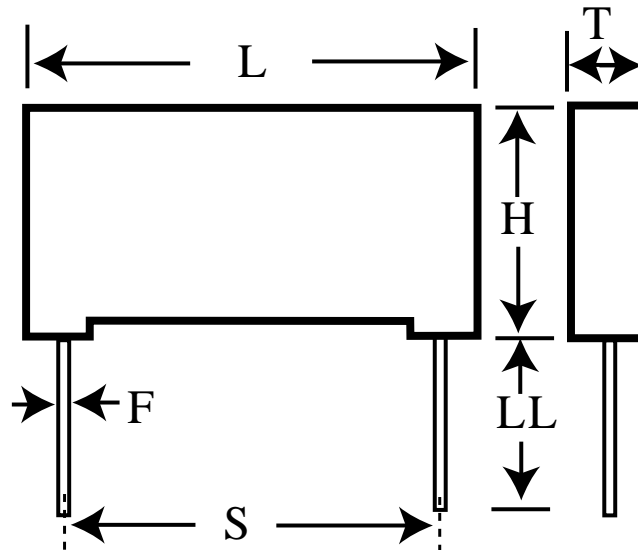


PME278RB5100MR19T0

aka P278QE103M440L

Capacitor, film, 0.01 μ F, +/-20% Tol, -40/+110C, Safety: X1, 440VAC,
Lead Spacing=15.2 mm



Dimensions (mm)

ID	Dimension	Tolerance
L	18.5	max
H	10.5	max
T	5.2	max
S	15.2	+/-0.4
LL	19	nom
F	0.8	nom

Specifications

Manufacturer:	KEMET
Brand:	Rifa
Capacitance:	0.01 μ F
Temperature Range:	-40/+110C
Rated Temperature:	110C
Voltage @ rated temp:	1000V
Voltage AC:	440VAC
Tolerance:	+/-20%
Body Type:	Radial Molded
Construction:	Non-inductive
Application:	Safety: X1
Dielectric:	Metallized Paper
Dissipation Factor @ 1 kHz:	1.3%
Insulation Resistance:	12 GOhm
Maximum dVdT:	1400v/us
Miscellaneous Electrical:	PME278
Package Kind:	T&R
Package Size:	360
Package Quantity:	600