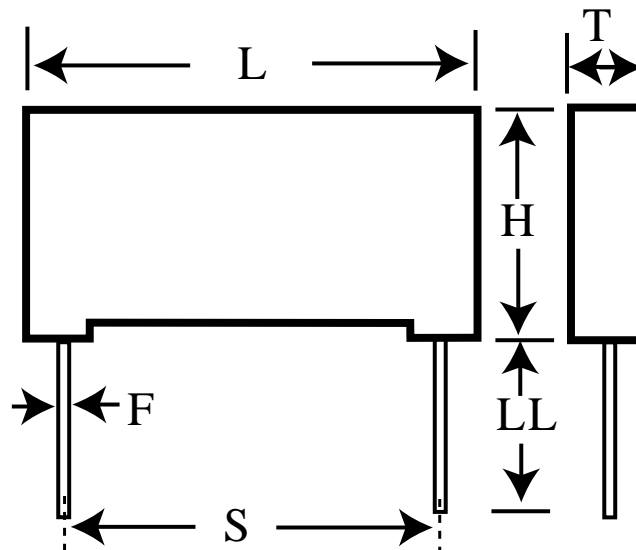


# PME271YA4100MR19T0

aka P272HE102M300L

Capacitor, film, 1000 pF, +/-20% Tol, -40/+115C, Safety: Y2, 300VAC,  
Lead Spacing=10.2 mm



## Dimensions (mm)

ID	Dimension	Tolerance
L	13.5	max
H	7.5	max
T	3.9	max
S	10.2	+/-0.4
LL	19	nom
F	0.6	nom

## Specifications

Manufacturer:	KEMET
Brand:	Rifa
Capacitance:	1000 pF
Temperature Range:	-40/+115C
Rated Temperature:	115C
Voltage @ rated temp:	1000V
Voltage AC:	300VAC
Tolerance:	+/-20%
Body Type:	Radial Molded
Construction:	Non-inductive
Application:	Safety: Y2
Dielectric:	Metallized Paper
Dissipation Factor @ 1 kHz:	1.3%
Insulation Resistance:	12 GOhm
Maximum dVdT:	2000v/us
IEC_60384-14:	300V
EN_132400:	300V
C_22.2_NO.8:	300V
Miscellaneous Electrical:	fo= 53 MHz series(PME271YA)
Package Kind:	T&R
Package Size:	360mm
Package Quantity:	700