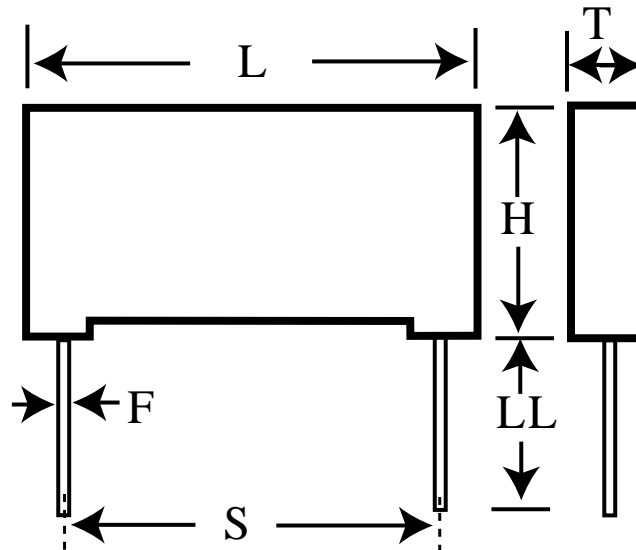


# PME261EA4220MR19T0

aka P561HE222M300L

Capacitor, film, 2200 pF, +/-20% Tol, -40/+100C, AC General Purpose, 300VAC, Lead Spacing=10.2 mm



## Dimensions (mm)

ID	Dimension	Tolerance
L	13.5	max
H	7.5	max
T	3.9	max
S	10.2	+/-0.4
LL	19	nom
F	0.6	nom

## Specifications

Manufacturer:	KEMET
Brand:	Rifa
Capacitance:	2200 pF
Temperature Range:	-40/+100C
Rated Temperature:	100C
Voltage @ rated temp:	630V
Voltage AC:	300VAC
Tolerance:	+/-20%
Body Type:	Radial Molded
Construction:	Non-inductive
Application:	AC General Purpose
Dielectric:	Metallized Paper
Dissipation Factor @ 1 kHz:	1.3%
Insulation Resistance:	12 GOhm
Maximum dVdT:	2000v/us
Miscellaneous Electrical:	PME261
Package Kind:	T&R
Package Size:	360mm
Package Quantity:	700