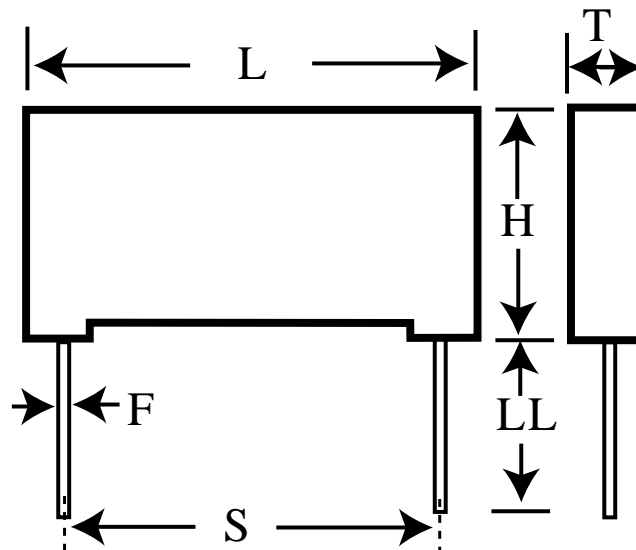


PME271Y415MR19T0

aka P271HE152M250L

Capacitor, film, 1500 pF, +/-20% Tol, -40/+100C, Safety: Y2, 250VAC,
Lead Spacing=10.2 mm



Dimensions (mm)

ID	Dimension	Tolerance
L	13.5	max
H	7.5	max
T	3.9	max
S	10.2	+/-0.4
LL	19	nom
F	0.6	nom

Specifications

Manufacturer:	KEMET
Brand:	Rifa
Capacitance:	1500 pF
Temperature Range:	-40/+100C
Rated Temperature:	100C
Voltage @ rated temp:	1000V
Voltage AC:	250VAC
Tolerance:	+/-20%
Body Type:	Radial Molded
Construction:	Non-inductive
Application:	Safety: Y2
Dielectric:	Metallized Paper
Dissipation Factor @ 1 kHz:	1.3%
Insulation Resistance:	12 GOhm
Maximum dVdT:	2000v/us
UL_1283:	250V
IEC_60384-14:	250V
EN_132400:	250V
C_22.2_NO.8:	250V
Miscellaneous Electrical:	fo= 44 MHz series(PME271Y)
Package Kind:	T&R
Package Size:	360mm
Package Quantity:	700