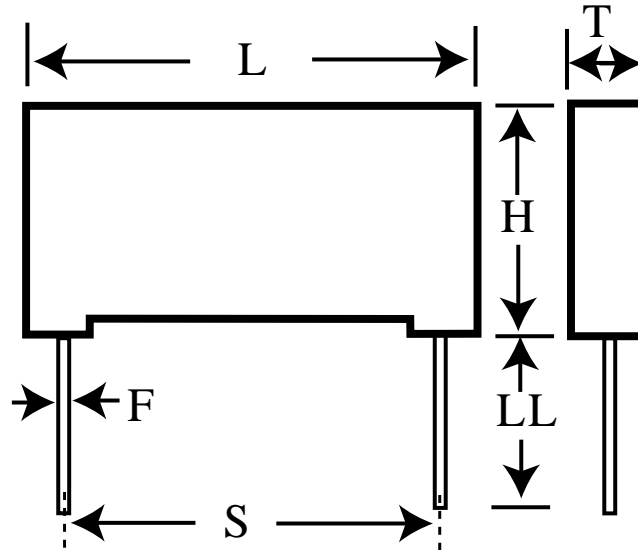


PME261EB5330KR19T0

aka P561QE333K300L

Capacitor, film, 0.033 uF, +/-10% Tol, -40/+100C, AC General Purpose, 300VAC, Lead Spacing=15.2 mm



Dimensions (mm)

| ID | Dimension | Tolerance |
|----|-----------|-----------|
| L | 18.5 | max |
| H | 10.5 | max |
| T | 5.2 | max |
| S | 15.2 | +/-0.4 |
| LL | 19 | nom |
| F | 0.8 | nom |

Specifications

| | |
|-----------------------------|--------------------|
| Manufacturer: | KEMET |
| Brand: | Rifa |
| Capacitance: | 0.033 uF |
| Temperature Range: | -40/+100C |
| Rated Temperature: | 100C |
| Voltage @ rated temp: | 630V |
| Voltage AC: | 300VAC |
| Tolerance: | +/-10% |
| Body Type: | Radial Molded |
| Construction: | Non-inductive |
| Application: | AC General Purpose |
| Dielectric: | Metallized Paper |
| Dissipation Factor @ 1 kHz: | 1.3% |
| Insulation Resistance: | 12 GOhm |
| Maximum dVdT: | 2000v/us |
| Miscellaneous Electrical: | PME261 |
| Package Kind: | T&R |
| Package Size: | 360mm |
| Package Quantity: | 600 |