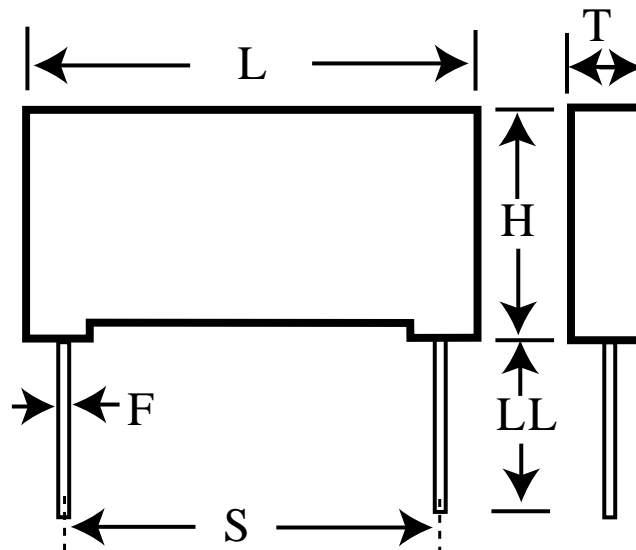


PME271YC5330MR19T0

aka P272CE333M300L

Capacitor, film, 0.033 uF, +/-20% Tol, -40/+115C, Safety: Y2, 300VAC,
Lead Spacing=20.3 mm



Dimensions (mm)

| ID | Dimension | Tolerance |
|----|-----------|-----------|
| L | 24 | max |
| H | 14 | max |
| T | 7.6 | max |
| S | 20.3 | +/-0.4 |
| LL | 19 | nom |
| F | 0.8 | nom |

Specifications

| | |
|-----------------------------|----------------------------|
| Manufacturer: | KEMET |
| Brand: | Rifa |
| Capacitance: | 0.033 uF |
| Temperature Range: | -40/+115C |
| Rated Temperature: | 115C |
| Voltage @ rated temp: | 1000V |
| Voltage AC: | 300VAC |
| Tolerance: | +/-20% |
| Body Type: | Radial Molded |
| Construction: | Non-inductive |
| Application: | Safety: Y2 |
| Dielectric: | Metallized Paper |
| Dissipation Factor @ 1 kHz: | 1.3% |
| Insulation Resistance: | 12 GOhm |
| Maximum dVdT: | 1000v/us |
| IEC_60384-14: | 300V |
| EN_132400: | 300V |
| C_22.2_NO.8: | 300V |
| Miscellaneous Electrical: | fo= 7 MHz series(PME271YC) |
| Package Kind: | T&R |
| Package Size: | 360mm |
| Package Quantity: | 250 |