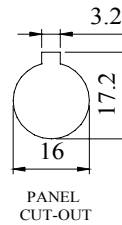
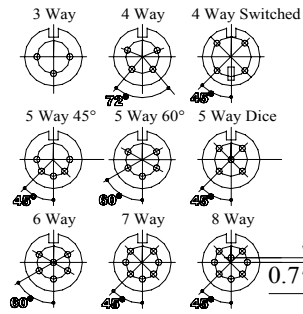
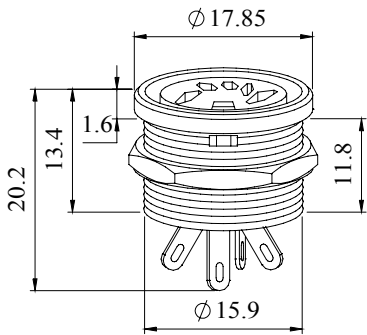


A range of professional chassis mounting sockets, designed for panel mounting via a single hexagonal turned brass nut. These sockets incorporate an anti-rotational locating spigot, and mate with all standard lockable plugs.

Materials	
Housing	Brass
	Nickel Plated
Moulding	Lexan 500R
Contacts	Brass Silver Plated
Nut	Brass Nickel Plated
Electrical	
Rated Voltage	34 V a.c. or d.c.
Current Rating	2 A
Test Voltage	500 V r. m. s.
Insulation Resistance	103 MΩ min at 100 V d.c
Contact Resistance	10 mΩ max
Capacitance (mated)	3pF
Climatic	
Climatic category	25/070/21
Temperature Range	-25°C to +70°C
Damp heat, steady state	21 days

Dimensions



Type	Deltron No
3 Way	650-0300
4 Way	650-0400
4 Way Switched	650-0410
5 Way 45°	650-0500
5 Way 60°	650-0510
5 Way Dice	650-0520
6 Way	650-0600
7 Way	650-0700
8 Way	650-0800

RoHS
2002/95/EC
Compliant

Tel No. +44(0)1724 273200 Website www.dem-uk.com

PROPRIETARY AND CONFIDENTIAL
THE INFORMATION CONTAINED IN THIS DRAWING IS THE SOLE PROPERTY OF
ALPHA 3 MANUFACTURING.
ANY REPRODUCTION IN PART OR AS A WHOLE WITHOUT THE WRITTEN PERMISSION OF
ALPHA 3 MANUFACTURING IS PROHIBITED.

UNLESS OTHERWISE SPECIFIED:
DIMENSIONS ARE IN MILLIMETRES
LINEAR TOLERANCE:
NO DECIMAL PLACES ±0.5mm
1 DECIMAL PLACE ±0.25mm
2 DECIMAL PLACES ±0.125mm
ANGULAR TOLERANCE: ±1°



DEM Manufacturing, Deltron Emcon House
Hargreaves Way, Sowcliffe Ind. Park,
Scunthorpe, North Lincolnshire, DN15 8BF, UK

FINISH PROFESSIONAL CIRCULAR CHASSIS SOCKET BLACK
DEBUR AND BREAK SHARP EDGES
DRAWN BY SPB
APPROVED BY WJC
THIRD ANGLE PROJECTION
SHEET 1 OF 1
SCALE 1:1
A4

MATERIAL DO NOT SCALE DRAWING
SEE NOTE

TITLE GENERAL SPECIFICATION
650 SERIES CHASSIS SOCKET
DRAWING NO. 650 SERIES
ISSUE 06
Release