

Pull Chain, Single Pole



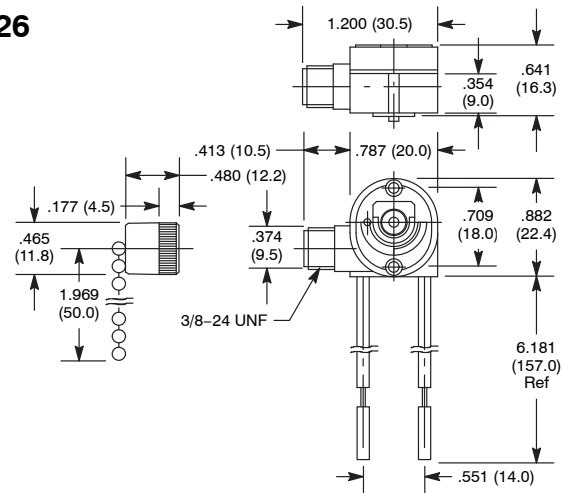
Features

- Steel Chain w/Rope Cord



| NTE Type No. | Circuitry | Action | | Base | Cover | | Diag No. |
|--------------|-----------|--------|-----|----------|----------|-------------|----------|
| | | | | | Material | Color | |
| 54-538 | SPST | ON | OFF | Nylon 66 | Nylon 66 | Transparent | S26 |
| 54-539 | SPST | ON | OFF | Nylon 66 | Nylon 66 | Black | S26 |

S26



Specifications

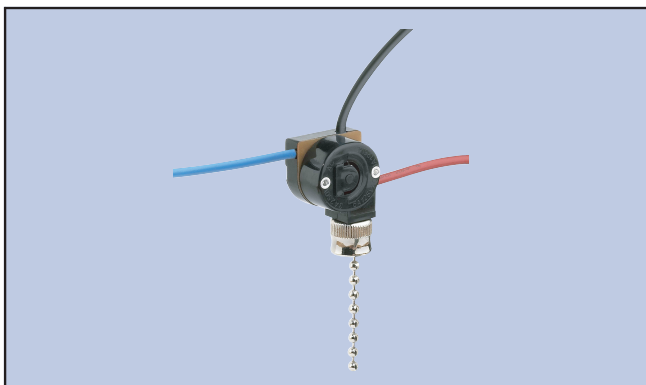
- Current Rating:** 6A 125VAC, 3A 250VAC
- Contact Resistance:** 50 Milliohms initial (max.)
- Insulation Resistance:** 100 Megohms (min.) at 500VDC
- Dielectric Strength:** 1000V RMS (min.) for 1 minute
- Operation Force:** 400 plus/minus 200 gram
- Temperature Rating:** +32° to +149°F (0° to +65°C)
- Electrical Life:** 6000 cycles
- Mechanical Life:** 50,000 cycles
- Terminal Type:** 18 AWG, 6" length
- Mounting Hole:** .393 (10.0)

Pull Chain, Single Pole



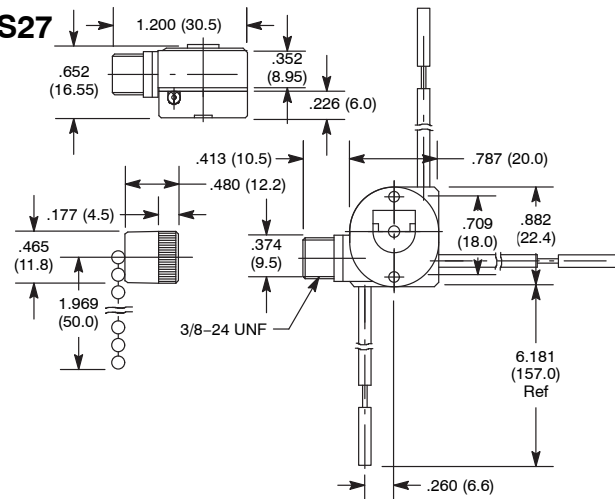
Features

- Steel Chain w/Rope Cord
- For Use in Ceiling Fan Applications



| NTE Type No. | Circuitry | Action | | | Base | Cover | | Diag No. | |
|--------------|-----------|--------|----|----|------|----------|----------|----------|-----|
| | | | | | | Material | Color | | |
| 54-540 | SP4T | OFF | ON | ON | ON | Nylon 66 | Nylon 66 | Black | S27 |

S27



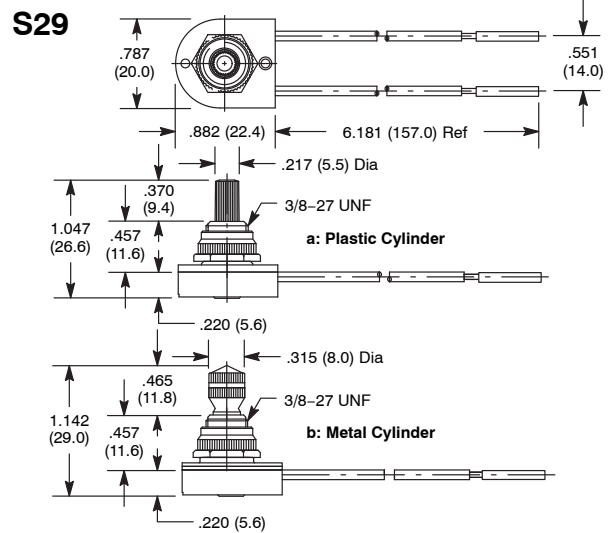
Specifications

- Current Rating:** 6A 125VAC, 3A 250VAC
- Contact Resistance:** 50 Milliohms initial (max.)
- Insulation Resistance:** 100 Megohms (min.) at 500VDC
- Dielectric Strength:** 1000V RMS (min.) for 1 minute
- Operation Force:** 400 plus/minus 200 gram
- Temperature Rating:** +32° to +149°F (0° to +65°C)
- Electrical Life:** 6000 cycles
- Mechanical Life:** 50,000 cycles
- Terminal Type:** 18 AWG, 6" length
- Mounting Hole:** .393 (10.0)

Rotary, Two Position, Single Pole



| NTE Type No. | Circuitry | Action | | Cylinder | Actuator | Diag No. |
|--------------|-----------|--------|-----|----------|----------|----------|
| 54-541 | SPST | ON | OFF | Nylon 66 | Nylon 66 | S29a |
| 54-542 | SPST | ON | OFF | Steel | Steel | S29b |



Specifications

- Current Rating:** 6A 125VAC, 3A 250VAC, 1A 125VDC
- Contact Resistance:** 20 Milliohms initial (max.)
- Insulation Resistance:** 100 Megohms (min.) at 500VDC
- Dielectric Strength:** 1000V RMS (min.) for 1 minute
- Operation Force:** 400 plus/minus 200 gram
- Temperature Rating:** +32° to +149°F (0° to +65°C)
- Electrical Life:** 6000 cycles
- Mechanical Life:** 50,000 cycles
- Terminal Type:** 18 AWG, 6" length
- Mounting Hole:** .393 (10.0)