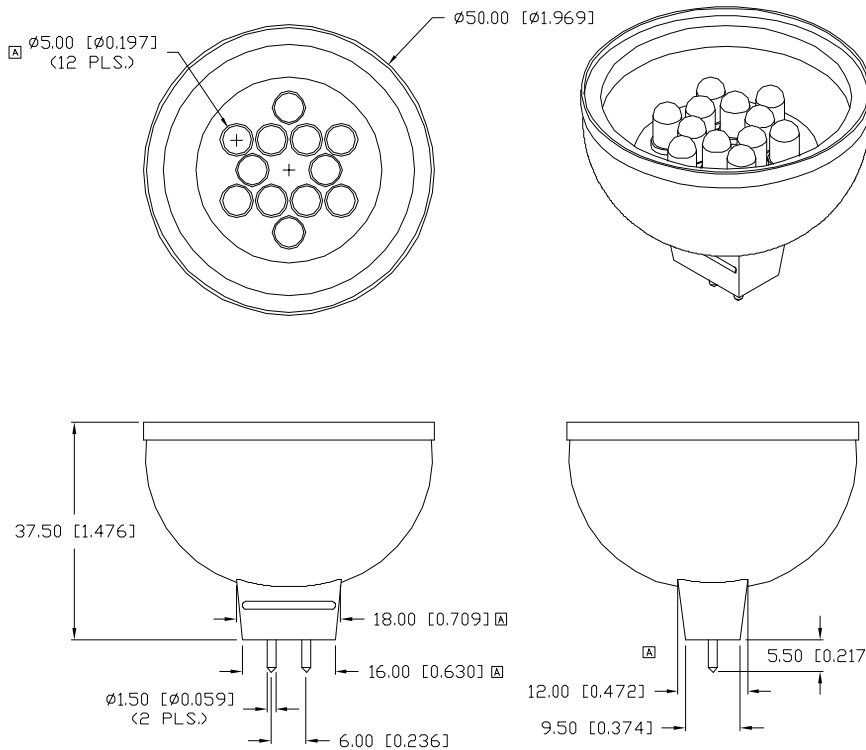


UNCONTROLLED DOCUMENT

CAUTION: STATIC SENSITIVE DEVICE  
FOLLOW PROPER E.S.D. HANDLING PROCEDURES  
WHEN WORKING WITH THIS PART.

|             |                                     |          |
|-------------|-------------------------------------|----------|
| PART NUMBER |                                     | REV.     |
| SSP-11CR912 |                                     | A        |
| REV.        | E.C.N. NUMBER AND REVISION COMMENTS | DATE     |
| A           | E.C.N. #11066.                      | 12.19.03 |



ELECTRO-OPTICAL CHARACTERISTICS  $T_A=25^{\circ}\text{C}$   $V_f=12\text{V}$

| PARAMETER          | MIN              | TYP  | MAX  | UNITS                      | TEST COND        |
|--------------------|------------------|------|------|----------------------------|------------------|
| PEAK WAVELENGTH    |                  | -    |      | nm                         |                  |
| FORWARD VOLTAGE    |                  | 12.0 | 14.0 | $V_f$                      |                  |
| FLUX               |                  | 12   |      | LM                         | $V_f=12\text{V}$ |
| VIEWING ANGLE      |                  | 60   |      | $2x \theta_{\text{theta}}$ |                  |
| EMITTED COLOR:     | WHITE            |      |      |                            |                  |
| EPOXY LENS FINISH: | WATER CLEAR LENS |      |      |                            |                  |

LIMITS OF SAFE OPERATION AT  $25^{\circ}\text{C}$  PER MODULE

| PARAMETER                        | MAX        | UNITS                        |
|----------------------------------|------------|------------------------------|
| PEAK FORWARD VOLTAGE             | 14         | V                            |
| STEADY CURRENT                   | 70         | mA                           |
| POWER DISSIPATION                | 105        | mW                           |
| DERATE FROM $25^{\circ}\text{C}$ | -1.2       | $\text{mW}/^{\circ}\text{C}$ |
| OPERATING, STORAGE TEMP.         | -40 TO +80 | $^{\circ}\text{C}$           |

\*UNLESS OTHERWISE SPECIFIED TOLERANCES PER DECIMAL PRECISION ARE: X=±1 (±0.039), X.X=±0.5 (±0.020), X.XX=±0.25 (±0.010), X.XXX=±0.127 (±0.005). LEAD SIZE=±0.05 (±0.002), LEAD LENGTH=±0.75 (±0.030). MIN.=<sup>+0.00</sup><sub>-0.00</sub> DECIMAL PRECISION MAX.=<sup>+0.00</sup><sub>-0.00</sub> DECIMAL PRECISION

UNCONTROLLED DOCUMENT

|                       |             |
|-----------------------|-------------|
| REV.                  | PART NUMBER |
| A                     | SSP-11CR912 |
| LED MR16 LAMP, WHITE. |             |

**CONFIDENTIAL INFORMATION**  
THE INFORMATION CONTAINED IN THIS DOCUMENT IS THE PROPERTY OF SUNBRITE LEDS. EXCEPT AS SPECIFICALLY AUTHORIZED IN WRITING BY SUNBRITE LEDS, THE HOLDER OF THIS DOCUMENT SHALL KEEP ALL INFORMATION CONTAINED HEREIN CONFIDENTIAL AND SHALL PROTECT SAME IN WHOLE OR IN PART FROM DISCLOSURE AND DISSEMINATION TO ALL THIRD PARTIES.

**RELIABILITY NOTE**  
OUR MANY YEARS OF EXPERIENCE DATA ACCUMULATION INDICATE THAT SOLDER HEAT IS A MAJOR CAUSE OF EARLY AND FUTURE FAILURE. PLEASE PAY ATTENTION TO YOUR SOLDERING PROCESS.



286 E. HELEN ROAD  
PALATINE, IL 60067-6976  
PHONE: +1.847.359.2790  
FAX: +1.847.359.2867  
WEB: www.sunbriteleds.com

|        |          |           |              |
|--------|----------|-----------|--------------|
| DRAWN: | CHECKED: | APPROVED: | DATE:        |
| BC     |          |           | 5.8.02       |
|        |          |           | PAGE: 1 OF 1 |