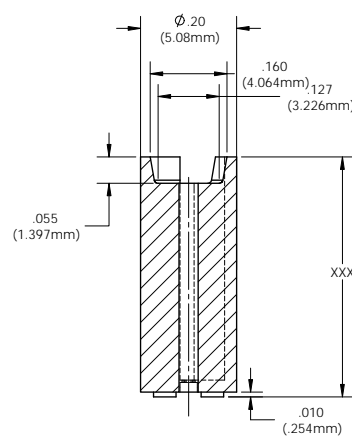
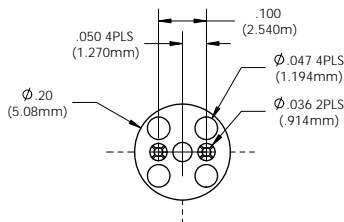


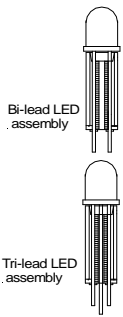
NOTES:  
 1) Standoff length selection per Order Table below  
 2) U.S. & Foreign Pat. Issued & Pend.

REVISIONS				
ECN #	REV	DESCRIPTION	DATE	INITIALS
	N/A	INITIAL RELEASE	9/01/92	JS
	001	REVISED PER ECR111009AZ01	2/25/10	KH



ISOMETRIC VIEW

The plastic body maintains the LED in a vertical position eliminating LED tilting  
 The barrier separate the leads to prevent shorting  
 Retention tabs hold LED leads in position prior to final PC board assembly



ORDERING CODES: STD **XXX** BLK

XXX = LENGTH (.100 to 1.0)									
100	200	300	400	500	600	700	800	900	1000
110	210	310	410	510	610	710	810	910	
120	220	320	420	520	620	720	820	920	
130	230	330	430	530	630	730	830	930	
140	240	340	440	540	640	740	840	940	
150	250	350	450	550	650	750	850	950	
160	260	360	460	560	660	760	860	960	
170	270	370	470	570	670	770	870	970	
180	280	380	480	580	680	780	880	980	
190	290	390	490	590	690	790	890	990	

<small>UNLESS OTHERWISE SPECIFIED DIMENSIONS ARE IN INCHES</small> ANGLES 4° DECIMALS .001 .002 .003 .004 .005 .006 .007 .008 .009 .010 .015 .020 .025 .030 .035 .040 .045 .050 .055 .060 .065 .070 .075 .080 .085 .090 .095 .100 .105 .110 .115 .120 .125 .130 .135 .140 .145 .150 .155 .160 .165 .170 .175 .180 .185 .190 .195 .200 .205 .210 .215 .220 .225 .230 .235 .240 .245 .250 .255 .260 .265 .270 .275 .280 .285 .290 .295 .300 .305 .310 .315 .320 .325 .330 .335 .340 .345 .350 .355 .360 .365 .370 .375 .380 .385 .390 .395 .400 .405 .410 .415 .420 .425 .430 .435 .440 .445 .450 .455 .460 .465 .470 .475 .480 .485 .490 .495 .500 .505 .510 .515 .520 .525 .530 .535 .540 .545 .550 .555 .560 .565 .570 .575 .580 .585 .590 .595 .600 .605 .610 .615 .620 .625 .630 .635 .640 .645 .650 .655 .660 .665 .670 .675 .680 .685 .690 .695 .700 .705 .710 .715 .720 .725 .730 .735 .740 .745 .750 .755 .760 .765 .770 .775 .780 .785 .790 .795 .800 .805 .810 .815 .820 .825 .830 .835 .840 .845 .850 .855 .860 .865 .870 .875 .880 .885 .890 .895 .900 .905 .910 .915 .920 .925 .930 .935 .940 .945 .950 .955 .960 .965 .970 .975 .980 .985 .990 .995 .1000 FINISH UNLESS OTHERWISE SPECIFIED THRU-ANGLE PROJECTION <small>APPROVED BY VISUAL COMMUNICATIONS COMPANY</small> <small>DESIGNED BY VISUAL COMMUNICATIONS COMPANY</small> <small>MANUFACTURED BY VISUAL COMMUNICATIONS COMPANY</small> <small>ALL DIMENSIONS ARE IN INCHES UNLESS OTHERWISE SPECIFIED</small>	MATERIAL VALOX 310 SEO (BLACK) U.L. 94 V0	<b>VISUAL COMMUNICATIONS COMPANY, INC.</b> 190 Busstock Boulevard, Suite 101 San Marcos, CA 92069 USA Phone (760) 560-1300 Fax (760) 560-1301 email vccsales@vccite.com				
	FINISH SEE NOTES	TITLE: <b>STDxxxBLK</b>		SIZE <b>B</b>	DWG. NO. <b>STDxxxBLK_A</b>	REV <b>001</b>
	APPROVAL DRAWN K.Howard CHECKED DPZ DATE 2/25/10 3/1/10 DO NOT SCALE DRAWING	SCALE: 5:1		SHEET 1 OF 1		