

Print this page



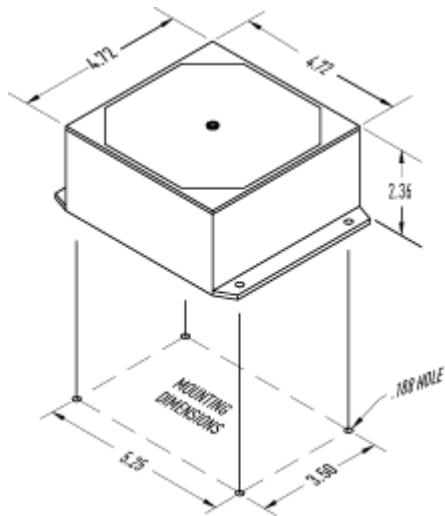
- ▶ Electronic-grade surge protective device designed to protect electronic equipment and microprocessor-based systems from transients on sub-distribution panels, branch panels, or equipment located in low-exposure locations.

FEATURES

- ▶ Surge current capacity—25,000 to 100,000 Amps per phase
- ▶ All-mode and 2-mode protection option
- ▶ Small footprint
- ▶ All voltage and phase configurations
- ▶ LED status indication and form C contact for remote indication
- ▶ Sand encapsulation
- ▶ Thermal protection
- ▶ Silver link fusing
- ▶ 5-year warranty

GENERAL TECHNICAL SPECIFICATIONS		PERFORMANCE TECHNICAL SPECIFICATIONS	
Operating Voltage Range	+/- 15%	Clamping UL 1449 Classification*	
Fault Current Rating (AIC)	14 kAIC	120/208	
Operating Frequency Range	47-63 Hz	Line to Neutral	400 Volts
Capacity	Continuous	Line to Line	800 Volts
50 Ω EMI/RFI Attenuation	40 dB	Line to Ground	400 Volts
Dry Contact Rating	125 VAC, 8A, 1.0 pf	Neutral to Ground	400 Volts
Response Time	< 0.5 ns	120/240	
Operating Temperature	-40°C to +50°C	Line to Neutral	400 Volts
Operating Humidity	0% to 95%	Line to Line	800 Volts
Certifications	UL 1449, CUL, CE	Line to Ground	400 Volts
Warranty	5 Year	Neutral to Ground	400 Volts
		277/480	

DIMENSIONAL DIAGRAM



Line to Neutral	800 Volts
Line to Line	1,500 Volts
Line to Ground	800 Volts
Neutral to Ground	800 Volts
480	
Line to Line	1,500 Volts
Line to Ground	1,500 Volts

* UL classifications for other voltages available upon request.

Peak Surge Current Capability (8 x 20 μs)	
Model: ILxxx100	
Phase:	100,000 Amps
L-N:	50,000 Amps
L-L:	50,000 Amps
L-G:	50,000 Amps
N-G:	50,000 Amps
Model: ILxxx50	
Phase:	50,000 Amps
L-N:	25,000 Amps
L-L:	25,000 Amps
L-G:	25,000 Amps
N-G:	25,000 Amps
Model: ILxxx25-2	
Phase:	25,000 Amps
L-N:	25,000 Amps
L-L:	25,000 Amps
L-G:	N / A
N-G:	25,000 Amps