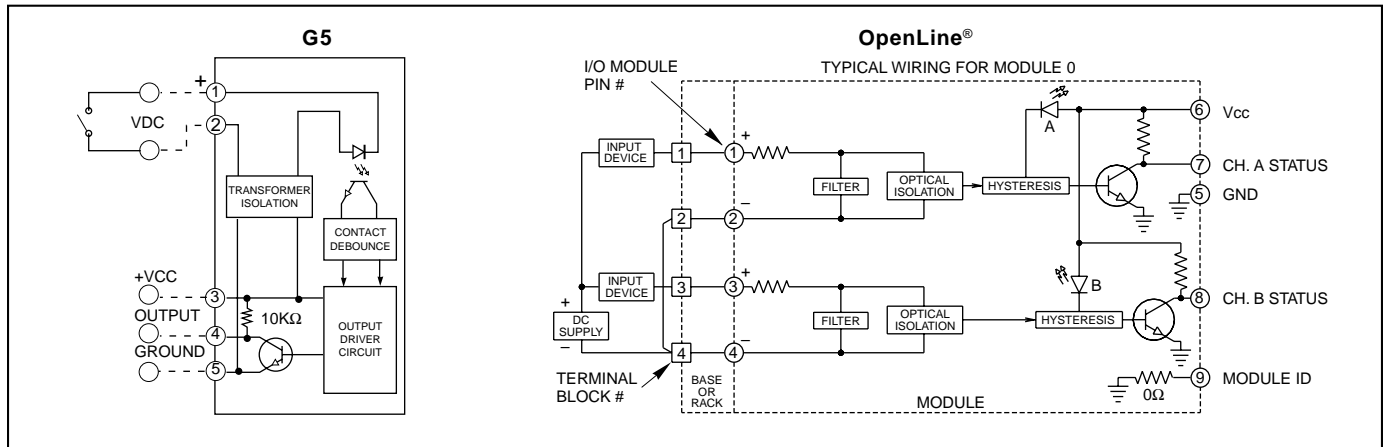




FEATURES

- Wire Dry Contact Sensors Directly to Module, Eliminate External Power Supply
- 2500 Vac Isolation
- Built-In Status LED
- UL, CSA, CE Mark, TÜV Certified (TÜV not available on OpenLine®)
- Simplifies Field Wiring

CIRCUITRY: Negative True Logic



SPECIFICATIONS:

Specifications apply over operating temperature range unless noted otherwise.

All Modules

Output Specifications

- Output Current Range:** 1-50 mA
- Breakdown Voltage:** 50 Vdc minimum
- Off State Leakage Current:** 1 μ A maximum
- On State Voltage Drop:** 0.45 Vdc at 50 mA maximum

General Characteristics

- Isolation Voltage Field to Logic:** 2500 Vac (rms) minimum

OpenLine®

- Vibration:** .15mm, 10 to 50 Hz per IEC68-2-6
- Mechanical Shock:** 50 G's, 0.5 mS, sinusoidal per IEC68-2-27
- Storage Temperature Range:** -40°C to +100°C
- Operating Temperature Range:** -40°C to +85°C

G5

- Vibration:** 20 G's peak or .06" double amplitude 10–2000 Hz per MIL–STD–202, Method 204, Condition D
- Mechanical Shock:** 1500 G's 0.5 mS half-sine

per MIL–STD–202, Method 213, Condition F

Storage Temperature Range:

-40°C to +125°C

Operating Temperature Range:

0°C to +60°C

DIMENSIONS

For complete dimensional drawings, see pages L-4 to L-5.

Available from your local Grayhill Distributor.

For prices and discounts, contact a local Sales Office, an authorized local Distributor or Grayhill.

SPECIFICATIONS: By Part Number

Type/Function		Grayhill Part Number		
G5, Dry Contact		70L-IDC5S	70G-IDC5S	70G-IDC24S
Specifications	Units			
Maximum Dry Contact Voltage Rating	Vdc	25	25	25
Minimum Dry Contact Current Rating	mA	5	5	5
Maximum Turn-on Time	mSec	10	3.0	3.0
Maximum Turn-off Time	mSec	10	3.0	3.0
Contact Resistance (Output Low)	Ω	$\leq 1.25K$	$\leq 1.25K$	$\leq 1.25K$
Contact Resistance (Output High)	Ω	$\geq 25K$	$\geq 25K$	$\geq 25K$
Nominal Logic Voltage (Vcc)	Vdc	5	5	24
Logic Voltage Range: G5	Vdc	4.5-5.5	4.5-6	15-30
Max. Logic Supply Current @ Nominal Vcc	mA	120 ¹	41	41

¹WHEN BOTH CHANNELS ARE ACTIVATED