


## Many Models Including Roller Lever Switches are Only 16-mm Thick with Connector

- New center roller lever models that enable ganged mounting of up to 6 Switches.
- Cable connectors for easy Switch replacement.
- Triple-seal construction to provide IEC IP67 degree of protection.
- Operation indicators available for easy monitoring (standard indicator is lit when Switch is not operating).
- Approved by UL and CSA.  
(Ask your OMRON representative for Information on approved models.)



 Be sure to read *Safety Precautions* on page 7 to 8 and *Safety Precautions for All Limit Switches*.

## Model Number Structure

**Model Number Legend** (Not all combinations are possible. Ask your OMRON representative for details.)

**D4CC-□0□□**  
(1) (2)

### (1) Rated Current

- 1 : 1 A at 125 VAC
- 2 : 1 A at 125 VAC (with LED indicator)
- 3 : 1 A at 30 VDC
- 4 : 1 A at 30 VDC (with LED indicator)






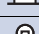

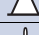

### (2) Actuator

- 01 : Pin plunger
- 02 : Roller plunger
- 03 : Crossroller plunger
- 24 : Roller lever
- 31 : Sealed pin plunger
- 32 : Sealed roller plunger
- 33 : Sealed crossroller plunger
- 50 : Plastic rod
- 60 : Center roller lever

## Ordering Information


### Switches

#### Limit Switches

| Actuator                      | Ratings<br>LED indicator  | 1 A at 125 VAC    |                | 1 A at 30 VDC     |                |
|-------------------------------|---|-------------------|----------------|-------------------|----------------|
|                               |   | Without indicator | With indicator | Without indicator | With indicator |
|                               |   | Model             | Model          | Model             | Model          |
| Pin plunger                   |  | D4CC-1001         | D4CC-2001      | D4CC-3001         | D4CC-4001      |
| Roller plunger                |  | D4CC-1002         | D4CC-2002      | D4CC-3002         | D4CC-4002      |
| Crossroller plunger           |  | D4CC-1003         | D4CC-2003      | D4CC-3003         | D4CC-4003      |
| High-sensitivity roller lever |  | D4CC-1024         | D4CC-2024      | D4CC-3024         | D4CC-4024      |
| Sealed pin plunger            |  | D4CC-1031         | D4CC-2031      | D4CC-3031         | D4CC-4031      |
| Sealed roller plunger         |  | D4CC-1032         | D4CC-2032      | D4CC-3032         | D4CC-4032      |
| Sealed crossroller plunger    |  | D4CC-1033         | ---            | D4CC-3033         | D4CC-4033      |
| Plastic rod                   |  | D4CC-1050         | D4CC-2050      | D4CC-3050         | D4CC-4050      |
| Center roller lever           |  | D4CC-1060         | D4CC-2060      | D4CC-3060         | D4CC-4060      |

- Note: 1. Ask your OMRON representative for Information on approved models.  
 2. The meaning of suffix codes in the D4CC model numbers is different from that in the D4C model numbers.  
 3. Refer to the following table for cable plugs.

## Applicable Cables

| Appearance  | No. of conductors | Type<br>Cable length | For AC          | For DC          |
|---|-------------------|----------------------|-----------------|-----------------|
|   |                   |                      | Model           | Model           |
|  | 4                 | 1 m                  | XS2F-A421-C90-A | XS2F-D421-C80-A |
|   |                   | 2 m                  | XS2F-A421-D90-A | XS2F-D421-D80-A |
|   |                   | 5 m                  | XS2F-A421-G90-A | XS2F-D421-G80-A |
|   |                   | 10 m                 | XS2F-A421-J90-A | XS2F-D421-J80-A |

## Special Mounting Plate (Order Separately)

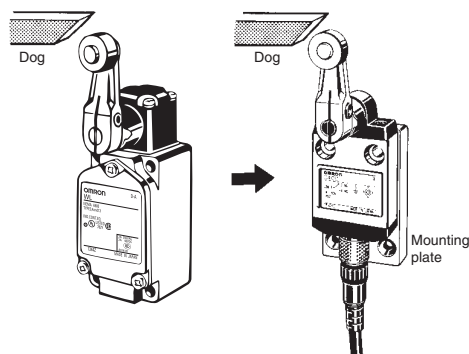
It is possible to replace an WL Limit Switch with a D4CC Limit Switch mounted on this plate without changing the position of the dog or cam.

## List of Replaceable Models

| WL model<br>(Actuator)       | D4CC model<br>(Actuator)        | Plate    |
|------------------------------|---------------------------------|----------|
| WLD<br>(Top plunger)         | → D4CC-□001<br>(Plunger)        | D4C-P001 |
| WLD2<br>(Top roller plunger) | → D4CC-□002<br>(Roller plunger) | D4C-P002 |
| WLG2<br>(Roller lever)       | → D4CC-□024<br>(Roller lever)   | D4C-P020 |

## Example of Replacement

Note: The position of the dog remains unchanged.



## Specifications

### Approved Standards

| Agency | Standard         | File No. |
|--------|------------------|----------|
| UL     | UL508            | E76675   |
| CSA    | CSA C22.2 No. 14 | LR45746  |

### Ratings

| Rated voltage | Non-inductive load (A) |    |           |     | Inductive load (A) |    |            |    |
|---------------|------------------------|----|-----------|-----|--------------------|----|------------|----|
|               | Resistive load         |    | Lamp load |     | Inductive load     |    | Motor load |    |
|               | NC                     | NO | NC        | NO  | NC                 | NO | NC         | NO |
| 125 VAC       | 1                      | 1  | 1         | 0.7 | 1                  | 1  | 1          | 1  |
| 30 VDC        | 1                      | 1  | 1         | 1   | 1                  | 1  | 1          | 1  |

- Note: 1. The above current ratings are for steady-state current.  
 2. Inductive loads have a power factor of 0.4 min. (AC) and a time constant of 7 ms max. (DC).  
 3. Lamp loads have an inrush current of 10 times the steady-state current.  
 4. Motor loads have an inrush current of 6 times the steady-state current.

### D4CC-3, D4CC-4, 1 A at 30 VDC

| Inrush current | NC | 5 A max.   |
|----------------|----|------------|
|                | NO | 2.5 A max. |

### Approved Standard Ratings

UL/CSA

D4CC-1, D4CC-2

D150

| Rated voltage | Carry current | Current (A) |       | Volt-amperes (VA) |       |
|---------------|---------------|-------------|-------|-------------------|-------|
|               |               | Make        | Break | Make              | Break |
| 120 VAC       | 1.0 A         | 3.6         | 0.6   | 432               | 72    |

### Characteristics

|                               |   |   |
|-------------------------------|---|---|
| Degree of protection          |   | IP67  |
| Durability *1                 | Mechanical  | 10,000,000 operations min.  |
|                               | Electrical  | 200,000 operations min. (1 A at 125 VAC, resistive load)                              |
| Operating speed               |   | 0.1 mm/s to 0.5 m/s (in case of plunger)<br>1 mm/s to 1 m/s (in case of roller lever) |
| Operating frequency           | Mechanical  | 120 operations/min  |
|                               | Electrical  | 30 operations/min   |
| Rated frequency               |   | 50/60 Hz  |
| Insulation resistance         |   | 100 MΩ min. (at 500 VDC)  |
| Contact resistance (initial)  |   | 100 mΩ max.   |
| Dielectric strength           | Between terminals of same polarity                        | 1,000 VAC, 50/60 Hz for 1 min   |
|                               | Between current-carrying metal parts and ground           | 1,500 VAC, 50/60 Hz for 1 min   |
|                               | Between each terminal and non-current-carrying metal part | 1,500 VAC, 50/60 Hz for 1 min   |
| Vibration resistance          | Malfunction   | 10 to 55 Hz, 1.5-mm double amplitude *2   |
| Shock resistance              | Destruction   | 1,000 m/s <sup>2</sup> min.   |
|                               | Malfunction   | 500 m/s <sup>2</sup> min. *2  |
| Ambient operating temperature |   | -10°C to +70°C (with no icing)  |
| Ambient operating humidity    |   | 35% to 95%RH  |
| Weight                        |   | Approx. 120 g (in the case of D4CC-1002)  |

Note: The above figures are initial values.

\*1. The values are calculated at an operating temperature of +5°C to +35°C, and an operating humidity of 40% to 70%RH. Contact your OMRON sales representative for more detailed information on other operating environments.

\*2. Excluding plastic rod models.

### Leakage Current for Switches with Indicators

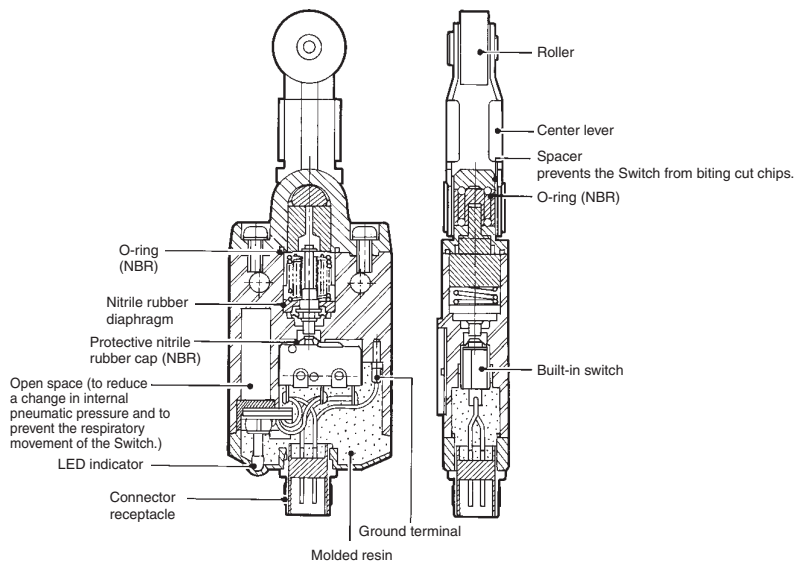
The leakage current and resistance of Switches with indicators are as follows:

| Item            | Model | D4CC-2□□□□ | D4CC-4□□□□ |
|-----------------|-------|------------|------------|
| Voltage         |       | 125 VAC    | 30 VDC     |
| Leakage current |       | 1.0 mA     | 1.0 mA     |
| Resistive value |       | 150 kΩ     | 30 kΩ      |

## Structure and Nomenclature

### Structure

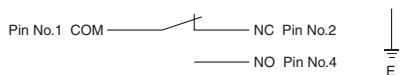
#### Center Roller Lever Models with Indicator



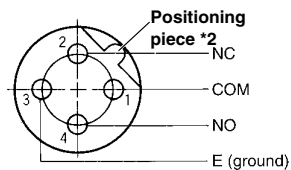
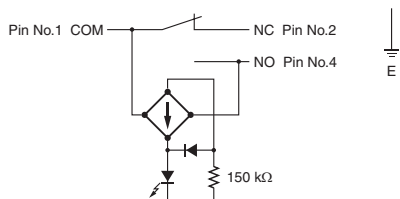
### Contact Form

#### AC Switches (D4CC-10□□, 20□□)

##### Without Operation Indicator

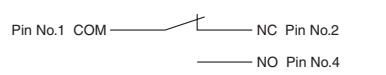


##### With Operation Indicator (Lit when Not Actuated) \*1

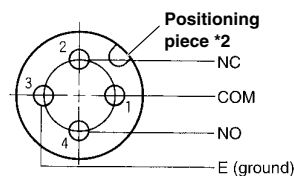
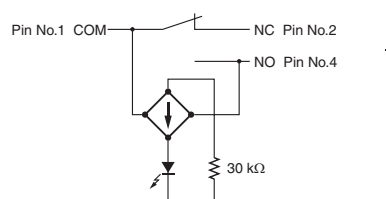


#### DC Switches (D4CC-30□□, 40□□)

##### Without Operation Indicator



##### With Operation Indicator (Lit when Not Actuated) \*1



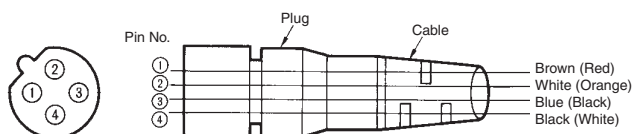
\*1. "Lit when not actuated" means that when the actuator is in the free position, the indicator is lit, and when the actuator is turned or pushed and the contact comes into contact with the NO side, the indicator turns OFF.

\*2. The position of the positioning piece is not always the same. If using an L-shaped connector causes problems in application, use a straight connector.

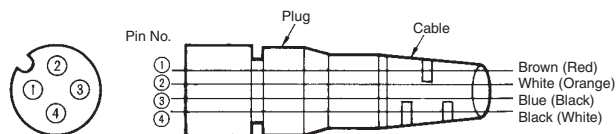
### Connections

Note: Colors in parentheses are the previous wire colors. Wire colors have been changed accompanying changes in standards.

#### For AC



#### For DC

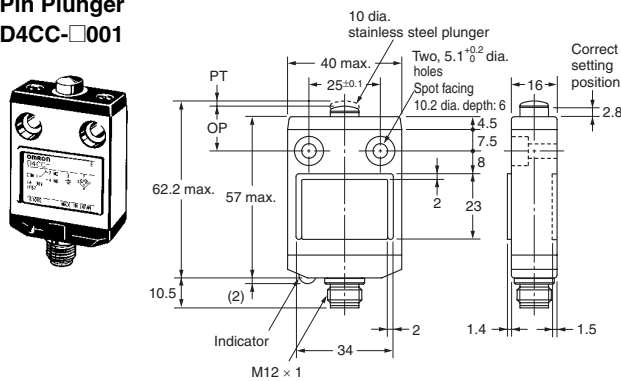


## Dimensions and Operating Characteristics

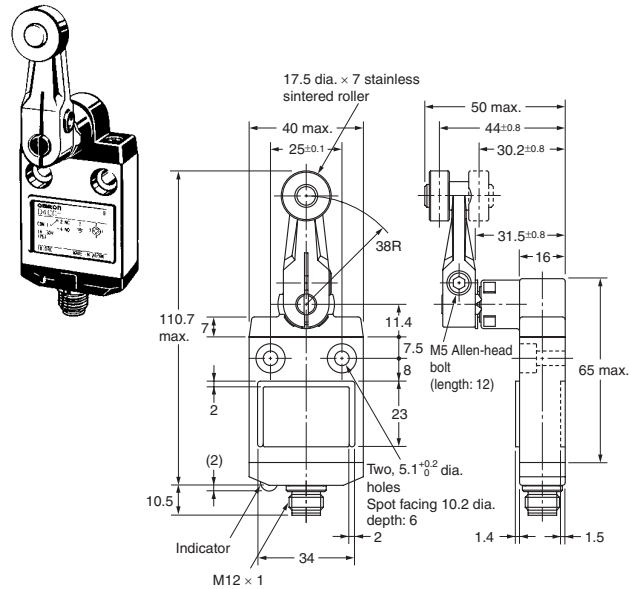
### Switches

**Limit Switches** The □ in each model number is replaced with the code expressing the rated load of the model. Refer to *Model Number Legend*.

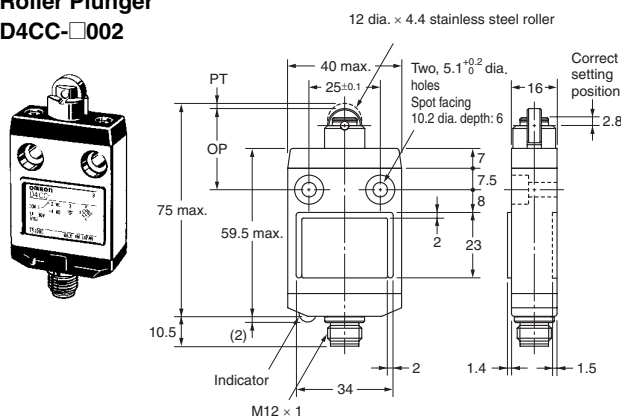
#### Pin Plunger D4CC-□001



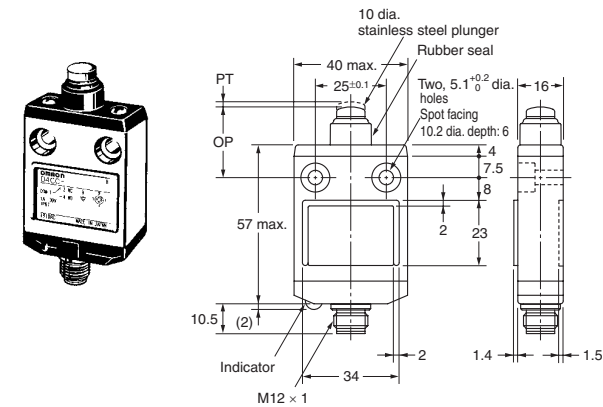
#### Roller Lever D4CC-□024



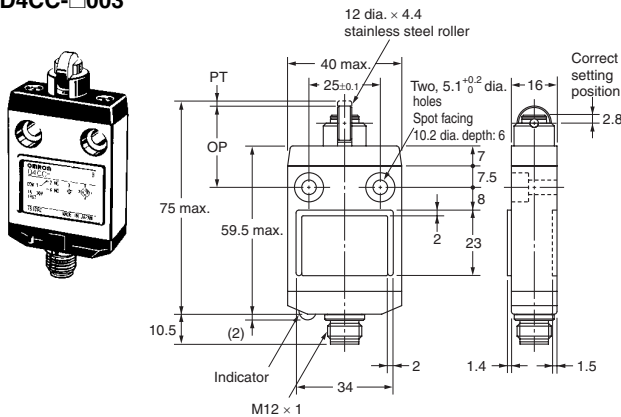
#### Roller Plunger D4CC-□002



#### Sealed Pin Plunger D4CC-□031



#### Crossroller Plunger D4CC-□003



Note: Unless otherwise specified, a tolerance of  $\pm 0.4$  mm applies to all dimensions.

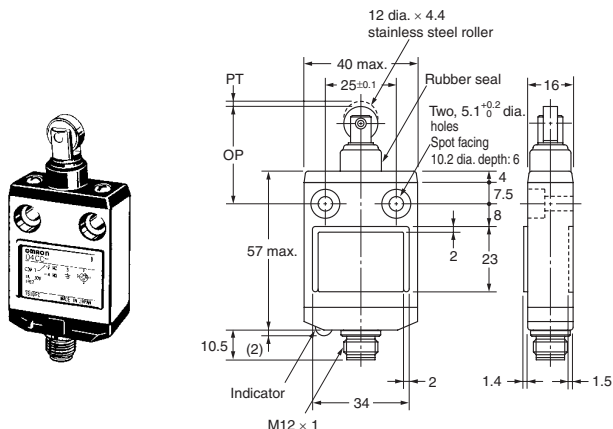
| Operating Characteristics | Model   | D4CC-□001       | D4CC-□002       | D4CC-□003       | D4CC-□024                  | D4CC-□031       |
|---------------------------|---------|-----------------|-----------------|-----------------|----------------------------|-----------------|
| Operating force           | OF max. | 11.77 N         | 11.77 N         | 11.77 N         | 5.69 N                     | 17.65 N         |
| Release force             | RF min. | 4.41 N          | 4.41 N          | 4.41 N          | 1.47 N                     | 4.41 N          |
| Pretravel                 | PT max. | 1.8 mm          | 1.8 mm          | 1.8 mm          | $10^{\circ} \pm 3^{\circ}$ | 1.8 mm          |
| Overtravel                | OT min. | 3 mm            | 3 mm            | 3 mm            | $50^{\circ}$               | 3 mm            |
| Movement Differential     | MD max. | 0.2 mm          | 0.2 mm          | 0.2 mm          | $3^{\circ}$                | 0.2 mm          |
| Operating Position        | OP      | $15.7 \pm 1$ mm | $28.5 \pm 1$ mm | $28.5 \pm 1$ mm | ---                        | $24.9 \pm 1$ mm |
| Total travel              | TT *    | ---             | ---             | ---             | ---                        | (5) mm          |

\* The TT is a reference value.

The □ in each model number is replaced with the code expressing the rated load of the model. Refer to *Model Number Legend*.

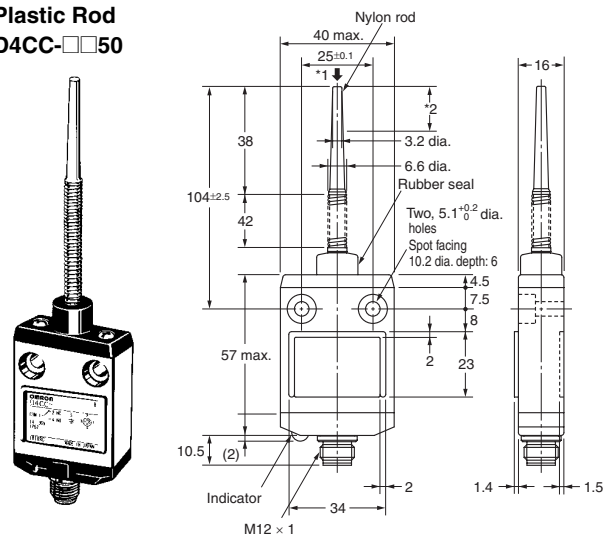
### Sealed Roller Plunger

D4CC-□032



### Plastic Rod

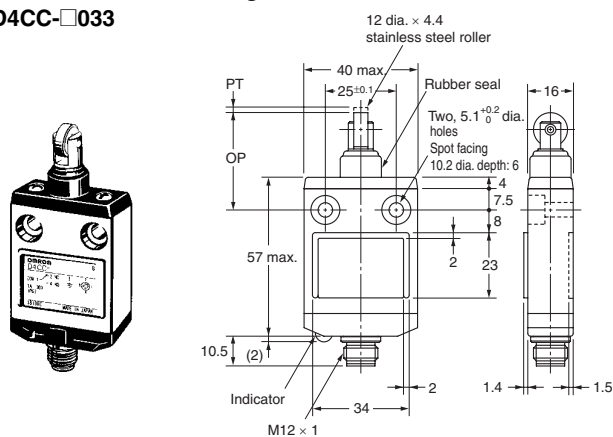
D4CC-□050



\*1. Operation is possible in any direction except parallel to the axis ↓.  
\*2. The ideal range for operation is between the tip of the rod and 1/3 of the length of the actuator.

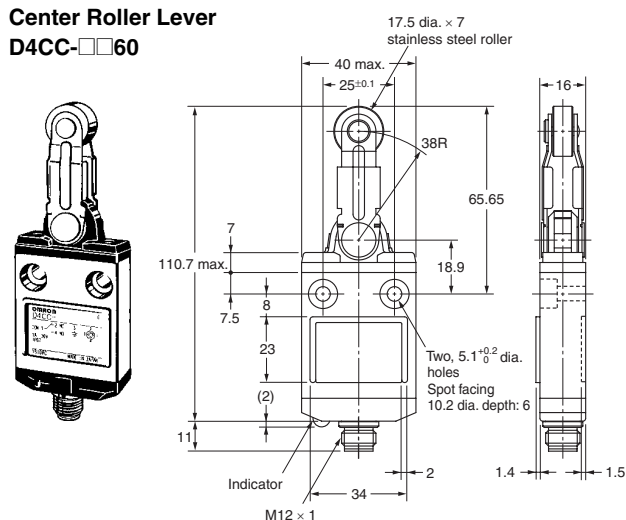
### Sealed Crossroller Plunger

D4CC-□033



### Center Roller Lever

D4CC-□060



Note: Unless otherwise specified, a tolerance of ±0.4 mm applies to all dimensions.

| Operating Characteristics | Model | D4CC-□032 | D4CC-□033 | D4CC-□050 | D4CC-□060 |
|---------------------------|-------|-----------|-----------|-----------|-----------|
| Operating force           | OF    | max.      | 17.65 N   | 17.65 N   | 6.67 N    |
| Release force             | RF    | min.      | 4.41 N    | 4.41 N    | 1.47 N    |
| Pretravel                 | PT    | max.      | 1.8 mm    | 1.8 mm    | 10°±3°    |
| Overttravel               | OT    | min.      | 3 mm      | 3 mm      | 50°       |
| Movement Differential     | MD    | max.      | 0.2 mm    | 0.2 mm    | 3°        |
| Operating Position        | OP    |           | 34.3±1 mm | 34.3±1 mm | ---       |
| Total travel              | TT    | *         | (5) mm    | (5) mm    | ---       |

\* The TT is a reference value.

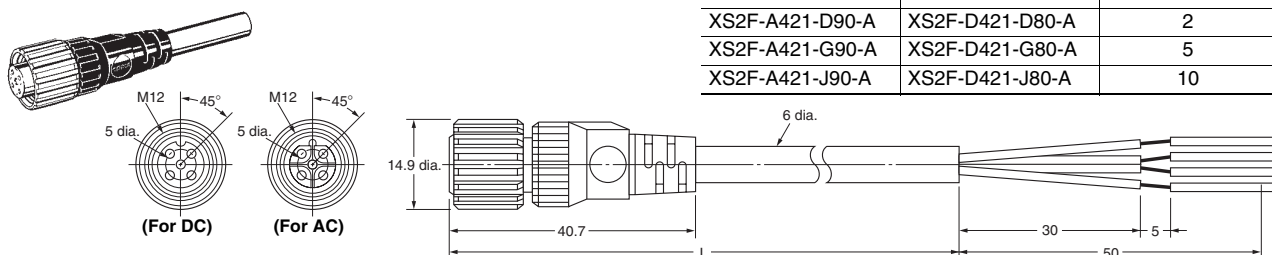
### Applicable Cables

Select one of the specified Connector Plugs from the following table.

XS2F-D421-□80-A (For DC)

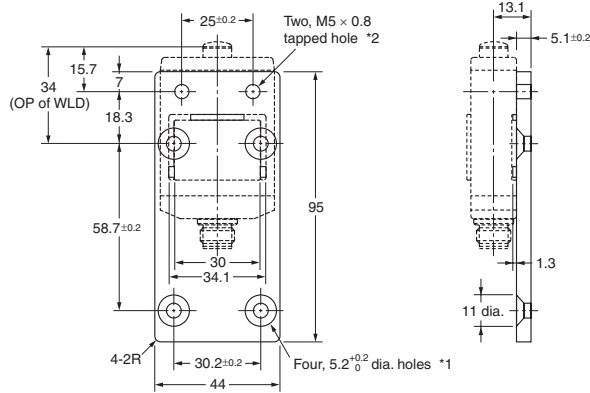
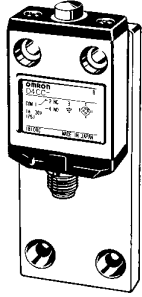
XS2F-A421-□90-A (For AC)

| For AC Model    | For DC Model    | Cable length (L) (m) |
|-----------------|-----------------|----------------------|
| XS2F-A421-C90-A | XS2F-D421-C80-A | 1                    |
| XS2F-A421-D90-A | XS2F-D421-D80-A | 2                    |
| XS2F-A421-G90-A | XS2F-D421-G80-A | 5                    |
| XS2F-A421-J90-A | XS2F-D421-J80-A | 10                   |



## Special Mounting Plates (Limit Switches are not attached to the Plates.)

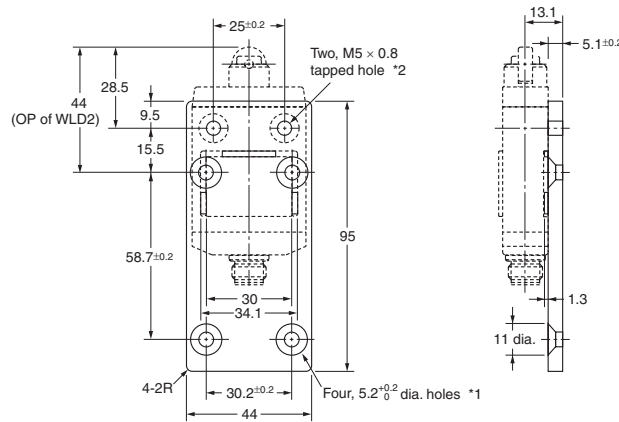
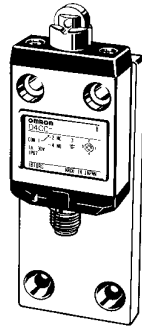
### D4C-P001 (For D4CC-□001)



Note: Four hexagonal flat head bolts (M5 × 0.8, length: 10) and two Allen-head bolts (M5 × 0.8, length: 15) are included.

- \*1. All the holes with 5.2<sup>+0.2</sup><sub>0</sub> dia. must be used with M5 × 10 Allen-head bolts.
- \*2. All the M5-tapped holes must be used with M5 hexagonal flat head bolts.

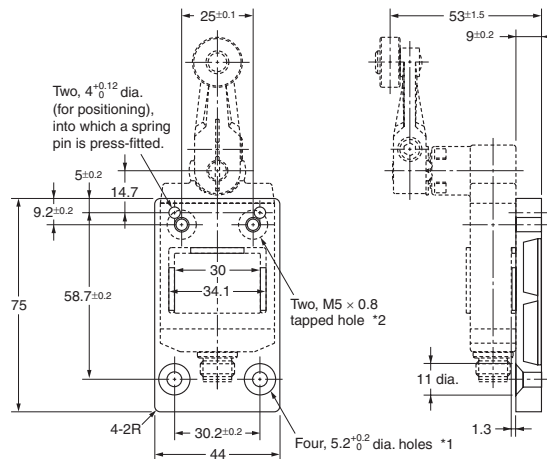
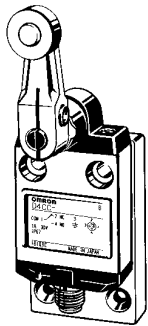
### D4C-P002 (For D4CC-□002)



Note: Four hexagonal flat head bolts (M5 × 0.8, length: 10) and two Allen-head bolts (M5 × 0.8, length: 15) are included.

- \*1. All the holes with 5.2<sup>+0.2</sup><sub>0</sub> dia. must be used with M5 × 10 Allen-head bolts.
- \*2. All the M5-tapped holes must be used with M5 hexagonal flat head bolts.

### D4C-P020 (For D4CC-□024)



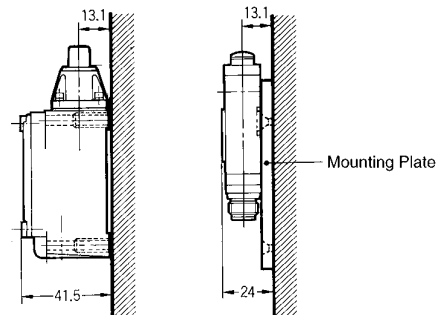
Note: Four hexagonal flat head bolts (M5 × 0.8, length: 10), two Allen-head bolts (M5 × 0.8, length: 15), and two spring pins (4 × 14) are included.

- \*1. All the holes with 5.2<sup>+0.2</sup><sub>0</sub> dia. must be used with M5 × 10 Allen-head bolts.
- \*2. All the M5-tapped holes must be used with M5 hexagonal flat head bolts.

Note: Unless otherwise specified, a tolerance of ±0.4 mm applies to all dimensions.

### Remarks

There is no difference in mounting pitch between the Mounting Plate and the WL. The mounting depth of the D4CC with the Mounting Plate attached is, however, shorter than that of the panel-mounted WL.



## Safety Precautions

Refer to *Safety Precautions for All Limit Switches*.

### Precautions for Correct Use

#### Operating Environment

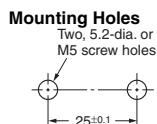
- Seal material may deteriorate if a Switch is used outdoor or where subject to special cutting oils, solvents, or chemicals. Always appraise performance under actual application conditions and set suitable maintenance and replacement periods.
- Install Switches where they will not be directly subject to cutting chips, dust, or dirt. The Actuator and Switch must also be protected from the accumulation of cutting chips or sludge.



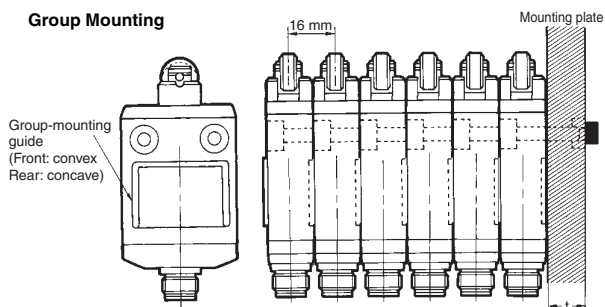
- Constantly subjecting a Switch to vibration or shock can result in wear, which can lead to contact interference with contacts, operation failure, reduced durability, and other problems. Excessive vibration or shock can lead to false contact operation or damage. Install Switches in locations not subject to shock and vibration and in orientations that will not produce resonance.
- The Switches have physical contacts. Using them in environments containing silicon gas will result in the formation of silicon oxide (SiO<sub>2</sub>) due to arc energy. If silicon oxide accumulates on the contacts, contact interference can occur. If silicon oil, silicon filling agents, silicon cables, or other silicon products are present near the Switch, suppress arcing with contact protective circuits (surge killers) or remove the source of silicon gas.

#### Mounting

- Make sure that the plate to which the D4CC is mounted is flat. If the plate is warped or has protruding parts, the D4CC may not malfunction.
- A maximum of 6 Switches may be group-mounted. In this case, pay attention to the mounting direction so that the convex part of the group-mounting guide on one Switch fits into the concave part of the guide on the other Switch as shown in the figure below. For group mounting, the mounting panel must have a thickness (t) of 6 mm min.



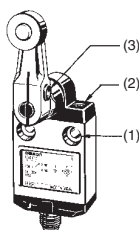
#### Group Mounting



- Be sure to tighten each screw to the proper tightening torque as shown in the table.

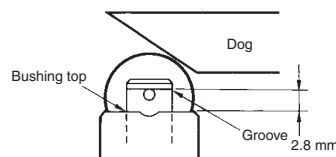
| No. | Type                     | Appropriate tightening torque * |
|-----|--------------------------|---------------------------------|
| (1) | M5 Allen-head bolt       | 4.90 to 5.88 N·m                |
| (2) | M3.5 head mounting screw | 0.78 to 0.88 N·m                |
| (3) | M5 Allen-head bolt       | 4.90 to 5.88 N·m                |

\* By removing the two screws from the head, the head direction can be rotated 180°. After changing the head direction, re-tighten to the torque specified above. Be careful not to allow any foreign substance to enter the Switch.

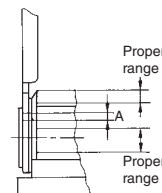
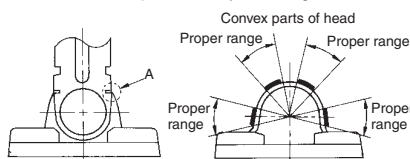
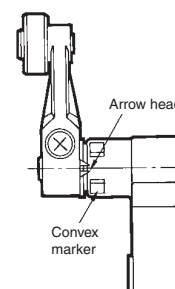


#### Operation

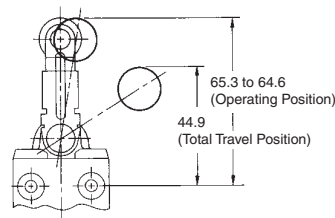
- Operation method, shapes of cam and dog, operating frequency, and overtravel have a significant effect on the service life and precision of a Limit Switch. For this reason, the dog angle must be 30° max., the surface roughness of the dog must be 6.3S min. and hardness must be Hv400 to 500.
- To allow the plunger-type actuator to travel properly, adjust the dog and cam to the proper setting positions. The proper position is where the plunger groove fits the bushing top.



- To allow the roller lever-type actuator to travel properly, adjust the dog and cam so that the arrow head is positioned between the two convex markers as shown below.
- Properly adjust the stroke of the center roller lever along with the dog or cam so that the concave part (A) of the head is located between the convex parts of the head as shown below when the center roller lever is pressed by the dog or cam.

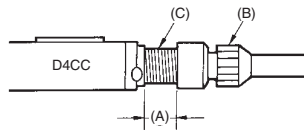


- Refer to the following to adjust the stroke of the lever based on the mounting hole level.



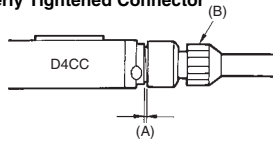
### Plug Tightening

- Connect the plug connector (B) to the connector threads (C) of the D4CC. Then firmly turn the plug connector by hand so that the connector threaded portion (C) will be completely covered by the plug connector (B) so that space (A) will be almost 0.



- Do not use any tools, such as pliers, to tighten the plug connector, otherwise the plug connector may become damaged. Make sure, however, that the plug connector is tightened securely, otherwise the rated degree of protection of the D4CC may not be maintained. Furthermore, the plug connector may be loosened by vibration.

### Properly Tightened Connector



### Others

- If failures, such as reset failures, in the plunger model are possible, use a model that has a rubber cap.
- Do not expose the Switch to water exceeding 70°C or use it in steam.



# Terms and Conditions of Sale

1. **Offer; Acceptance.** These terms and conditions (these "Terms") are deemed part of all quotes, agreements, purchase orders, acknowledgments, price lists, catalogs, manuals, brochures and other documents, whether electronic or in writing, relating to the sale of products or services (collectively, the "Products") by Omron Electronics LLC and its subsidiary companies ("Omron"). Omron objects to any terms or conditions proposed in Buyer's purchase order or other documents which are inconsistent with, or in addition to, these Terms.
2. **Prices; Payment Terms.** All prices stated are current, subject to change without notice by Omron. Omron reserves the right to increase or decrease prices on any unshipped portions of outstanding orders. Payments for Products are due net 30 days unless otherwise stated in the invoice.
3. **Discounts.** Cash discounts, if any, will apply only on the net amount of invoices sent to Buyer after deducting transportation charges, taxes and duties, and will be allowed only if (i) the invoice is paid according to Omron's payment terms and (ii) Buyer has no past due amounts.
4. **Interest.** Omron, at its option, may charge Buyer 1-1/2% interest per month or the maximum legal rate, whichever is less, on any balance not paid within the stated terms.
5. **Orders.** Omron will accept no order less than \$200 net billing.
6. **Governmental Approvals.** Buyer shall be responsible for, and shall bear all costs involved in, obtaining any government approvals required for the importation or sale of the Products.
7. **Taxes.** All taxes, duties and other governmental charges (other than general real property and income taxes), including any interest or penalties thereon, imposed directly or indirectly on Omron or required to be collected directly or indirectly by Omron for the manufacture, production, sale, delivery, importation, consumption or use of the Products sold hereunder (including customs duties and sales, excise, use, turnover and license taxes) shall be charged to and remitted by Buyer to Omron.
8. **Financial.** If the financial position of Buyer at any time becomes unsatisfactory to Omron, Omron reserves the right to stop shipments or require satisfactory security or payment in advance. If Buyer fails to make payment or otherwise comply with these Terms or any related agreement, Omron may (without liability and in addition to other remedies) cancel any unshipped portion of Products sold hereunder and stop any Products in transit until Buyer pays all amounts, including amounts payable hereunder, whether or not then due, which are owing to it by Buyer. Buyer shall in any event remain liable for all unpaid accounts.
9. **Cancellation; Etc.** Orders are not subject to rescheduling or cancellation unless Buyer indemnifies Omron against all related costs or expenses.
10. **Force Majeure.** Omron shall not be liable for any delay or failure in delivery resulting from causes beyond its control, including earthquakes, fires, floods, strikes or other labor disputes, shortage of labor or materials, accidents to machinery, acts of sabotage, riots, delay in or lack of transportation or the requirements of any government authority.
11. **Shipping; Delivery.** Unless otherwise expressly agreed in writing by Omron:
  - a. Shipments shall be by a carrier selected by Omron; Omron will not drop ship except in "break down" situations.
  - b. Such carrier shall act as the agent of Buyer and delivery to such carrier shall constitute delivery to Buyer;
  - c. All sales and shipments of Products shall be FOB shipping point (unless otherwise stated in writing by Omron), at which point title and risk of loss shall pass from Omron to Buyer; provided that Omron shall retain a security interest in the Products until the full purchase price is paid;
  - d. Delivery and shipping dates are estimates only; and
  - e. Omron will package Products as it deems proper for protection against normal handling and extra charges apply to special conditions.
12. **Claims.** Any claim by Buyer against Omron for shortage or damage to the Products occurring before delivery to the carrier must be presented in writing to Omron within 30 days of receipt of shipment and include the original transportation bill signed by the carrier noting that the carrier received the Products from Omron in the condition claimed.
13. **Warranties.** (a) **Exclusive Warranty.** Omron's exclusive warranty is that the Products will be free from defects in materials and workmanship for a period of twelve months from the date of sale by Omron (or such other period expressed in writing by Omron). Omron disclaims all other warranties, express or implied. (b) **Limitations.** OMRON MAKES NO WARRANTY OR REPRESENTATION, EXPRESS OR IMPLIED, ABOUT NON-INFRINGEMENT, MERCHANTABILITY OR FITNESS FOR A PARTICULAR PURPOSE OF THE PRODUCTS. BUYER ACKNOWLEDGES THAT IT ALONE HAS DETERMINED THAT THE PRODUCTS WILL SUITABLY MEET THE REQUIREMENTS OF THEIR INTENDED USE. Omron further disclaims all warranties and responsibility of any type for claims or expenses based on infringement by the Products or otherwise of any intellectual property right. (c) **Buyer Remedy.** Omron's sole obligation hereunder shall be, at Omron's election, to (i) replace (in the form originally shipped with Buyer responsible for labor charges for removal or replacement thereof) the non-complying Product, (ii) repair the non-complying Product, or (iii) repay or credit Buyer an amount equal to the purchase price of the non-complying Product; provided that in no event shall Omron be responsible for warranty, repair, indemnity or any other claims or expenses regarding the Products unless Omron's analysis confirms that the Products were properly handled, stored, installed and maintained and not subject to contamination, abuse, misuse or inappropriate modification. Return of any Products by Buyer must be approved in writing by Omron before shipment. Omron Companies shall not be liable for the suitability or unsuitability or the results from the use of Products in combination with any electrical or electronic components, circuits, system assemblies or any other materials or substances or environments. Any advice, recommendations or information given orally or in writing, are not to be construed as an amendment or addition to the above warranty. See <http://www.omron247.com> or contact your Omron representative for published information.
14. **Limitation on Liability; Etc.** OMRON COMPANIES SHALL NOT BE LIABLE FOR SPECIAL, INDIRECT, INCIDENTAL, OR CONSEQUENTIAL DAMAGES, LOSS OF PROFITS OR PRODUCTION OR COMMERCIAL LOSS IN ANY WAY CONNECTED WITH THE PRODUCTS, WHETHER SUCH CLAIM IS BASED IN CONTRACT, WARRANTY, NEGLIGENCE OR STRICT LIABILITY. Further, in no event shall liability of Omron Companies exceed the individual price of the Product on which liability is asserted.
15. **Indemnities.** Buyer shall indemnify and hold harmless Omron Companies and their employees from and against all liabilities, losses, claims, costs and expenses (including attorney's fees and expenses) related to any claim, investigation, litigation or proceeding (whether or not Omron is a party) which arises or is alleged to arise from Buyer's acts or omissions under these Terms or in any way with respect to the Products. Without limiting the foregoing, Buyer (at its own expense) shall indemnify and hold harmless Omron and defend or settle any action brought against such Companies to the extent based on a claim that any Product made to Buyer specifications infringed intellectual property rights of another party.
16. **Property; Confidentiality.** Any intellectual property in the Products is the exclusive property of Omron Companies and Buyer shall not attempt to duplicate it in any way without the written permission of Omron. Notwithstanding any charges to Buyer for engineering or tooling, all engineering and tooling shall remain the exclusive property of Omron. All information and materials supplied by Omron to Buyer relating to the Products are confidential and proprietary, and Buyer shall limit distribution thereof to its trusted employees and strictly prevent disclosure to any third party.
17. **Export Controls.** Buyer shall comply with all applicable laws, regulations and licenses regarding (i) export of products or information; (ii) sale of products to "forbidden" or other proscribed persons; and (iii) disclosure to non-citizens of regulated technology or information.
18. **Miscellaneous.** (a) **Waiver.** No failure or delay by Omron in exercising any right and no course of dealing between Buyer and Omron shall operate as a waiver of rights by Omron. (b) **Assignment.** Buyer may not assign its rights hereunder without Omron's written consent. (c) **Law.** These Terms are governed by the law of the jurisdiction of the home office of the Omron company from which Buyer is purchasing the Products (without regard to conflict of law principles). (d) **Amendment.** These Terms constitute the entire agreement between Buyer and Omron relating to the Products, and no provision may be changed or waived unless in writing signed by the parties. (e) **Severability.** If any provision hereof is rendered ineffective or invalid, such provision shall not invalidate any other provision. (f) **Setoff.** Buyer shall have no right to set off any amounts against the amount owing in respect of this invoice. (g) **Definitions.** As used herein, "including" means "including without limitation"; and "Omron Companies" (or similar words) mean Omron Corporation and any direct or indirect subsidiary or affiliate thereof.

## Certain Precautions on Specifications and Use

1. **Suitability of Use.** Omron Companies shall not be responsible for conformity with any standards, codes or regulations which apply to the combination of the Product in the Buyer's application or use of the Product. At Buyer's request, Omron will provide applicable third party certification documents identifying ratings and limitations of use which apply to the Product. This information by itself is not sufficient for a complete determination of the suitability of the Product in combination with the end product, machine, system, or other application or use. Buyer shall be solely responsible for determining appropriateness of the particular Product with respect to Buyer's application, product or system. Buyer shall take application responsibility in all cases but the following is a non-exhaustive list of applications for which particular attention must be given:
  - (i) Outdoor use, uses involving potential chemical contamination or electrical interference, or conditions or uses not described in this document.
  - (ii) Use in consumer products or any use in significant quantities.
  - (iii) Energy control systems, combustion systems, railroad systems, aviation systems, medical equipment, amusement machines, vehicles, safety equipment, and installations subject to separate industry or government regulations.
  - (iv) Systems, machines and equipment that could present a risk to life or property. Please know and observe all prohibitions of use applicable to this Product.

NEVER USE THE PRODUCT FOR AN APPLICATION INVOLVING SERIOUS RISK TO LIFE OR PROPERTY OR IN LARGE QUANTITIES WITHOUT ENSURING THAT THE SYSTEM AS A WHOLE HAS BEEN DESIGNED TO ADDRESS THE RISKS, AND THAT THE OMRON'S PRODUCT IS PROPERLY RATED AND INSTALLED FOR THE INTENDED USE WITHIN THE OVERALL EQUIPMENT OR SYSTEM.
2. **Programmable Products.** Omron Companies shall not be responsible for the user's programming of a programmable Product, or any consequence thereof.
3. **Performance Data.** Data presented in Omron Company websites, catalogs and other materials is provided as a guide for the user in determining suitability and does not constitute a warranty. It may represent the result of Omron's test conditions, and the user must correlate it to actual application requirements. Actual performance is subject to the Omron's Warranty and Limitations of Liability.
4. **Change in Specifications.** Product specifications and accessories may be changed at any time based on improvements and other reasons. It is our practice to change part numbers when published ratings or features are changed, or when significant construction changes are made. However, some specifications of the Product may be changed without any notice. When in doubt, special part numbers may be assigned to fix or establish key specifications for your application. Please consult with your Omron's representative at any time to confirm actual specifications of purchased Product.
5. **Errors and Omissions.** Information presented by Omron Companies has been checked and is believed to be accurate; however, no responsibility is assumed for clerical, typographical or proofreading errors or omissions.



**OMRON ELECTRONICS LLC • THE AMERICAS HEADQUARTERS** • Schaumburg, IL USA • 847.843.7900 • 800.556.6766 • [www.omron247.com](http://www.omron247.com)

---

**OMRON CANADA, INC. • HEAD OFFICE**

Toronto, ON, Canada • 416.286.6465 • 866.986.6766  
[www.omron247.com](http://www.omron247.com)

**OMRON ELETRÔNICA DO BRASIL LTDA • HEAD OFFICE**

São Paulo, SP, Brasil • 55.11.2101.6300 • [www.omron.com.br](http://www.omron.com.br)

**OMRON ELECTRONICS MEXICO SA DE CV • HEAD OFFICE**

Apodaca, N.L. • 52.811.156.99.10 • 001.800.556.6766 • [mela@omron.com](mailto:mela@omron.com)

**OMRON ARGENTINA • SALES OFFICE**

Cono Sur • 54.11.4783.5300

**OMRON CHILE • SALES OFFICE**

Santiago • 56.9.9917.3920

**OTHER OMRON LATIN AMERICA SALES**

54.11.4783.5300

---

**OMRON EUROPE B.V.** Wegalaan 67-69, NL-2132 JD, Hoofddorp, The Netherlands. Tel: +31 (0) 23 568 13 00 Fax: +31 (0) 23 568 13 88 [www.industrial.omron.eu](http://www.industrial.omron.eu)