



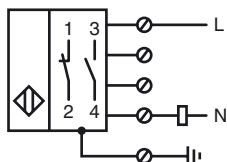
**Model Number**

NJ15+U4+W

**Features**

- 15 mm embeddable
- 2-wire AC
- Limit switch style housing
- Metal base 1/2" NPT

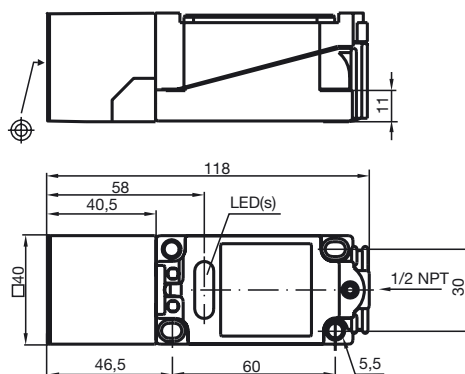
**Connection**



**Accessories**

**MHW 01**  
Modular mounting bracket

**Dimensions**



**Technical Data**

General specifications		
Switching element function	AC	NO/NC
Rated operating distance	$s_n$	15 mm
Installation		embeddable
Output polarity		AC
Assured operating distance	$s_a$	0 ... 12.15 mm
Reduction factor $r_{Al}$		0.3
Reduction factor $r_{Cu}$		0.25
Reduction factor $r_{V2A}$		0.75
Nominal ratings		
Operating voltage AC		20 ... 253 V <sup>1)</sup>
Switching frequency	$f$	0 ... 20 Hz
Hysteresis	$H$	1 ... 10 typ. 5 %
Voltage drop	$U_d$	≤ 5 V
Momentary current (20 ms, 0.1 Hz)		0 ... 3000 mA
Operating current	$I_L$	8 ... 500 mA
Off-state current	$I_r$	0.5 ... 1.95 mA typ. 1.2 mA
Operating voltage display		LED, green
Indication of the switching state		LED, yellow
Ambient conditions		
Ambient temperature		-25 ... 70 °C (-13 ... 158 °F)
Storage temperature		-25 ... 85 °C (-13 ... 185 °F)
Mechanical specifications		
Connection type		screw terminals
Core cross-section		≤ 2.5 mm <sup>2</sup>
Housing material		PBT/metal
Sensing face		PBT
Protection degree		IP68
Note		<sup>1)</sup> In the temperature range below 0 °C, permissible operating voltage $U_p$ 80...253 V Safety fuse ≤ 2 A (quick-blow) according to IEC 60127-2 Sheet 1 Recommendation: after a short circuit, check that the device is functioning correctly.
General information		
Supplementary information		Connection selectable as normally open or normally closed operation. Only wire one output per device.
Compliance with standards and directives		
Standard conformity		
Standards		EN 60947-5-2:2007 IEC 60947-5-2:2007
Approvals and certificates		
UL approval		cULus Listed, General Purpose
CSA approval		cCSAus Listed, General Purpose
CCC approval		Certified by China Compulsory Certification (CCC)

Release date: 2011-03-07 17:54 Date of issue: 2011-03-07 085589\_ENG.xml