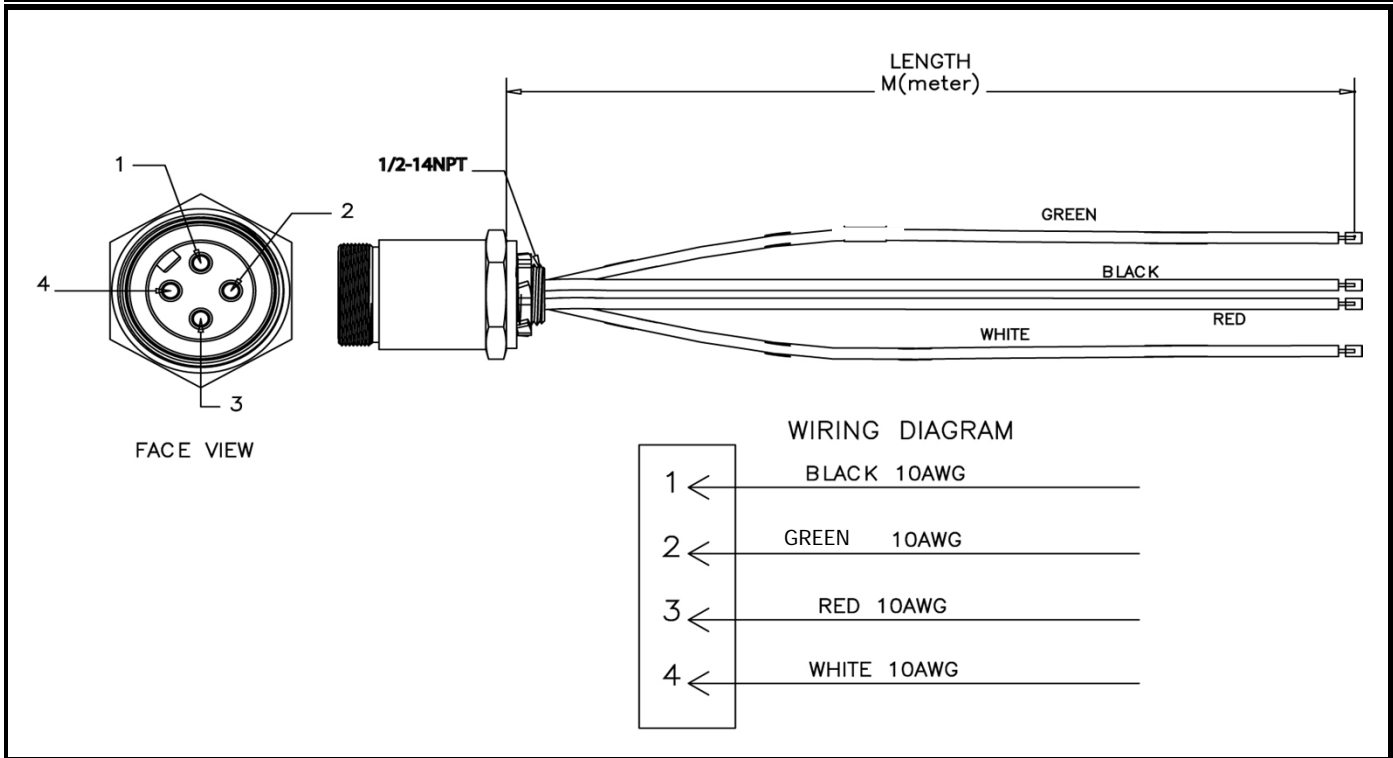


| CONFIGURATION | PART NUMBER | LENGTH |
|--|-------------|--------------|
| RECEPTACLE, 4 POLE, 10AWG, MALE, 1/2 -14NPT, SINGLE KEY | P29059-MXX | AS REQUESTED |

DIMENSIONS



TECHNICAL DATA

| | |
|-----------------------------|-----------------------------|
| APPROVALS: | UL, c(UL) |
| STANDARD CONFORMITY: | UL 2237 |
| TEMPERATURE RANGE: | -20C to +90C |
| PROTECTION: | IP 67, NEMA 6P |
| VOLTAGE RATING: | 600VAC/600VDC |
| AMPERAGE: | 25A |
| BODY: | OIL RESISTANT PVC |
| CONTACTS: | COPPER ALLOY |
| CONTACT PLATING: | GOLD OVER NICKEL PLATING. |
| CONNECTOR FACE: | PVC BLACK |
| WIRE TYPE: | 10 AWG, 600 V, THHW |
| RECEPTACLE HOUSING: | MACHINED ALUMINUM, ANODIZED |

##