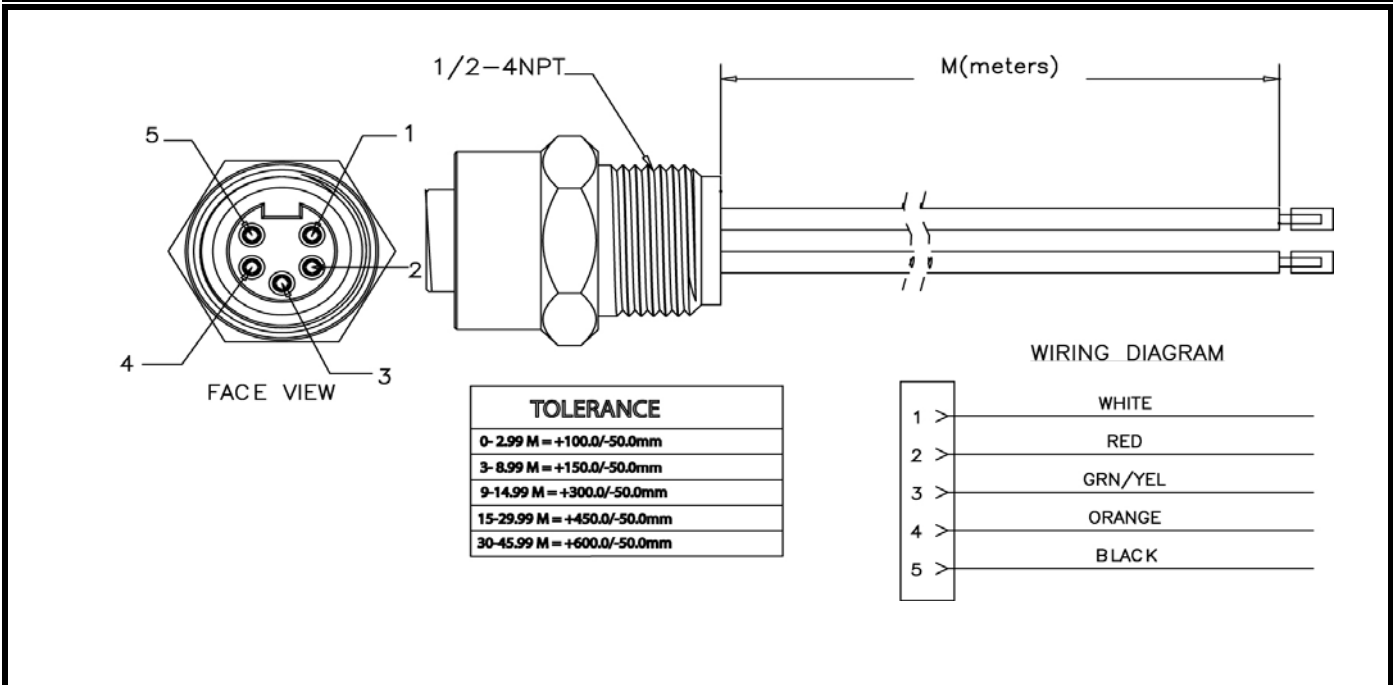


CONFIGURATION	PART NUMBER	LENGTH
5 PIN MINI, FEMALE RECEPT	MN54PW02M	NA

DIMENSIONS



TECHNICAL DATA

TEMPERATURE RANGE:	-20C to +105C
PROTECTION:	IP 68, NEMA 6P
VOLTAGE RATING:	600VAC/600VDC
AMPERAGE:	10A
BODY:	OIL RESISTANT PVC
CONTACTS:	COPPER ALLOY
CONTACT PLATING:	5 INCHES (MIN) GOLD, OVER 25 INCHES (MIN) NICKEL
CONNECTOR FACE:	PVC
COUPLER:	MACHINED ALUMINUM, ANODIZED
WIRE TYPE:	16 AWG, 600 V, MTW OR UL 1015
RECEPTACLE HOUSING:	MACHINED ALUMINUM, ANODIZED

