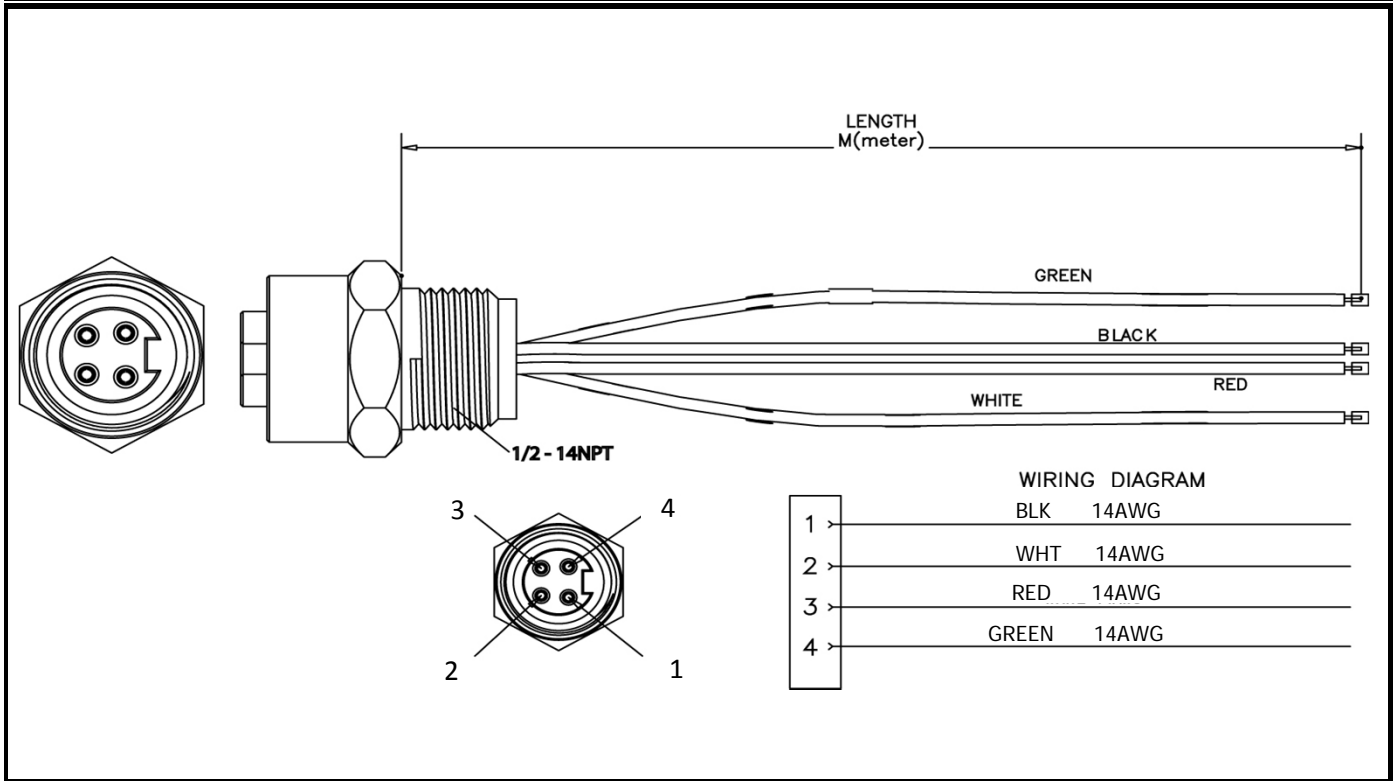


CONFIGURATION	PART NUMBER	LENGTH
Receptacle, 4 Pole, 14 AWG, Female, 1/2 - 14 NPT, Single Key	P29037-MXX	AS REQUESTED

DIMENSIONS



TECHNICAL DATA

TEMPERATURE RANGE:	-20C to +90C
PROTECTION:	IP 67, NEMA 6P
VOLTAGE RATING:	600VAC/600VDC
AMPERAGE:	15A
BODY:	OIL RESISTANT PVC
CONTACTS:	COPPER ALLOY
CONTACT PLATING:	GOLD OVER NICKEL PLATING
CONNECTOR FACE:	PVC BLACK
WIRE TYPE:	14 AWG, 600 V, THHW
RECEPTACLE HOUSING:	MACHINED ALUMINUM, ANODIZED
APPROVALS:	UL, c(UL)