

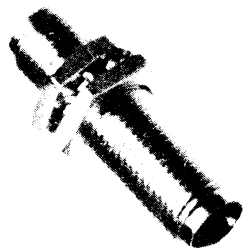
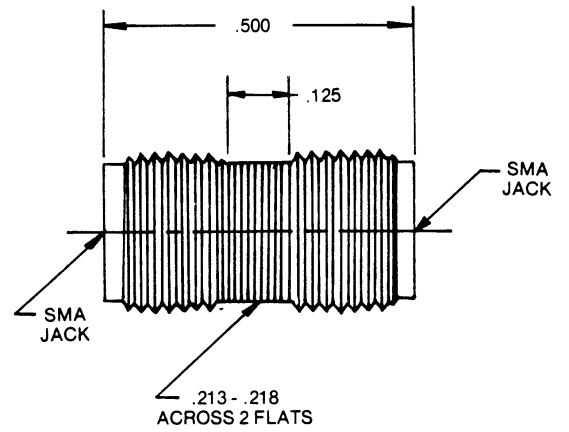
SMA IN SERIES ADAPTERS



Adapter Jack/Adapter

Epoxy Captivated Contact

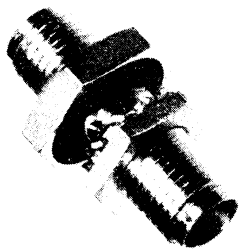
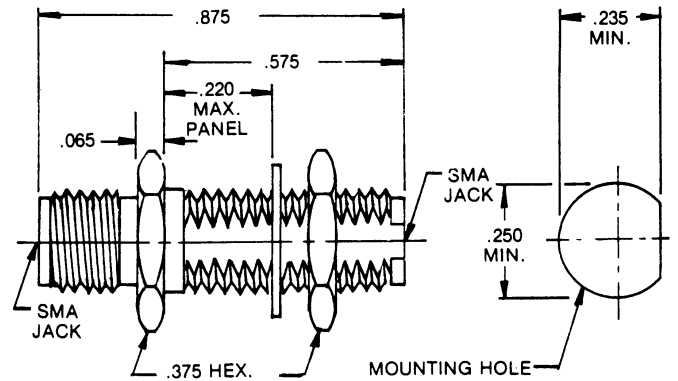
2992-6001
SF2992-6001



Bulkhead Adapter Jack/Adapter

Captive Center Contact

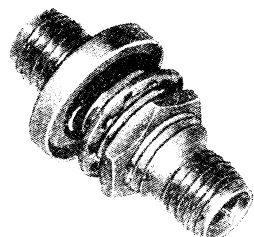
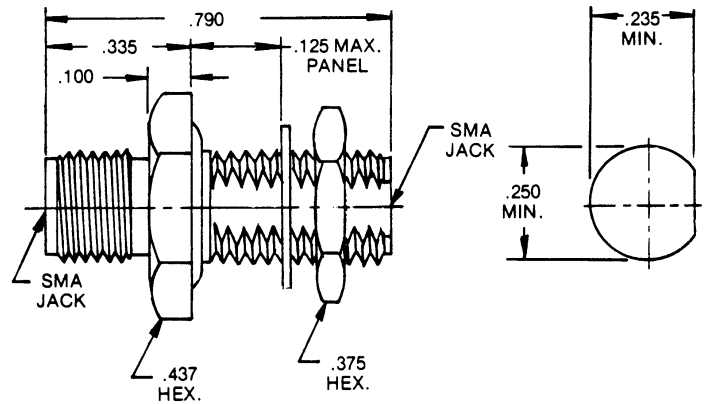
2990-6005
SF2990-6005
2990-6001 Without "D" Flat
SF2990-6001 Without "D" Flat



Bulkhead Adapter with Gasket Jack/Adapter

Epoxy Captivated Contact

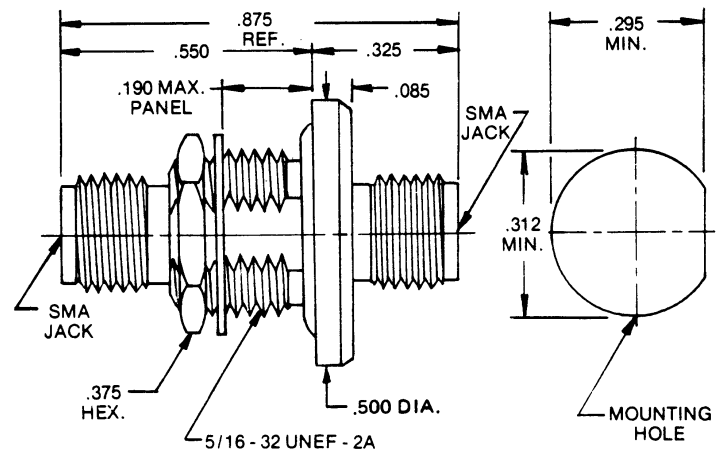
2990-6002
SF2990-6002



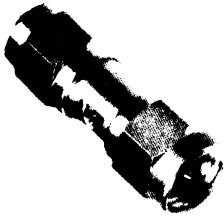
Hermetically Sealed Bulkhead Feedthrough with Gasket Jack/Adapter

Hermetic

2991-6002



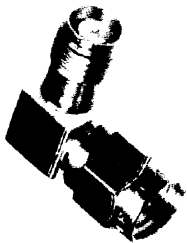
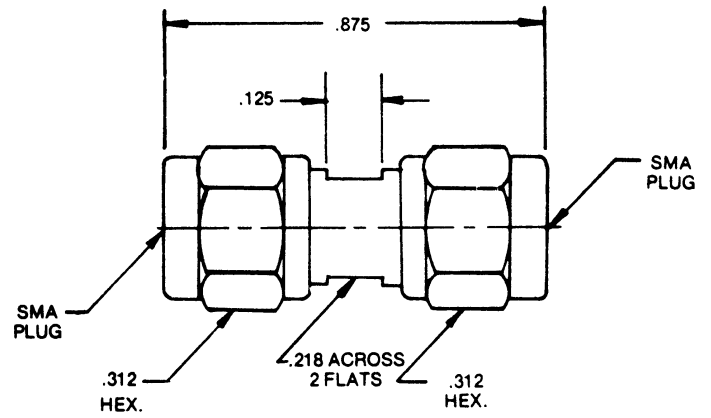
SMA IN SERIES ADAPTERS



Adapter Plug/Plug

Epoxy Captivated Contact

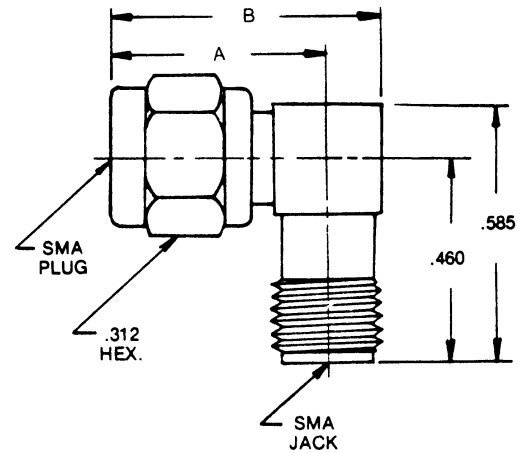
2993-6001
SF2993-6001



Right Angle Adapter Plug/Plug

PART NUMBER	DIM (In)	
	A	B
DC-12.4 GHz		
2994-6001	.500	.625
DC-18 GHz		
2994-6002	.427	.552

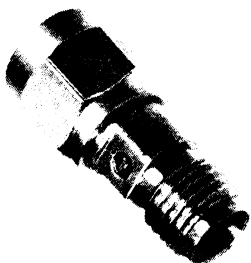
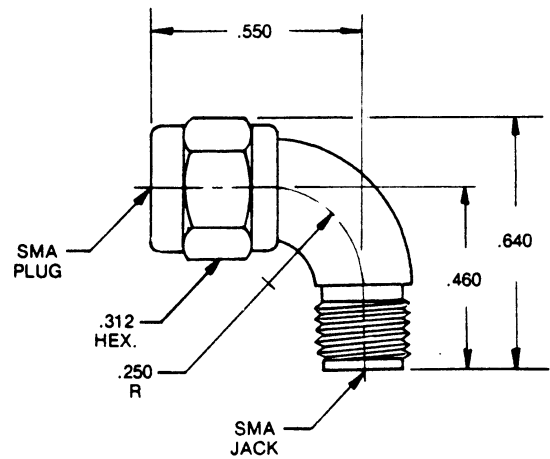
Add suffix SF to Part Number for Stainless Finish Version



Radius Right Angle Plug/Jack Adapter

One Piece Contact
Lower VSWR

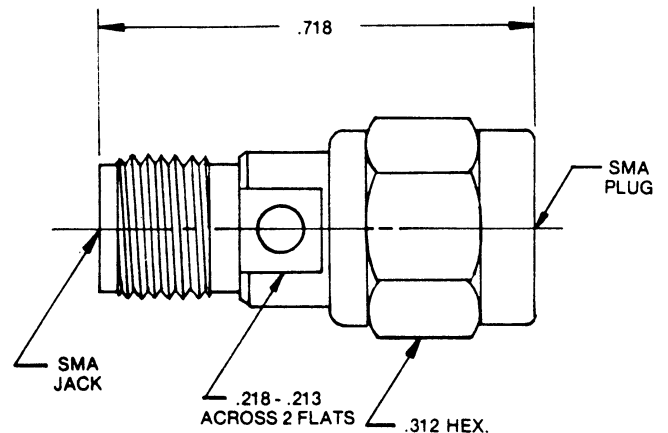
2994-6002
SF2994-6002



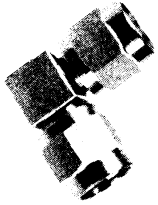
Adapter Plug to Jack

Connector Saver
Epoxy Captivated Contact

2997-6003
SF2997-6003



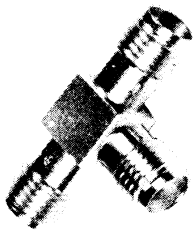
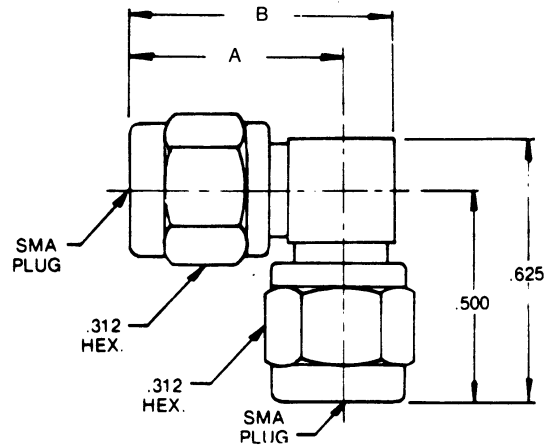
SMA IN SERIES ADAPTERS



Right Angle Adapter Plug/Plug

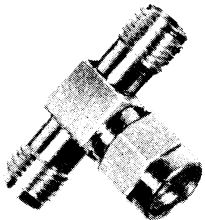
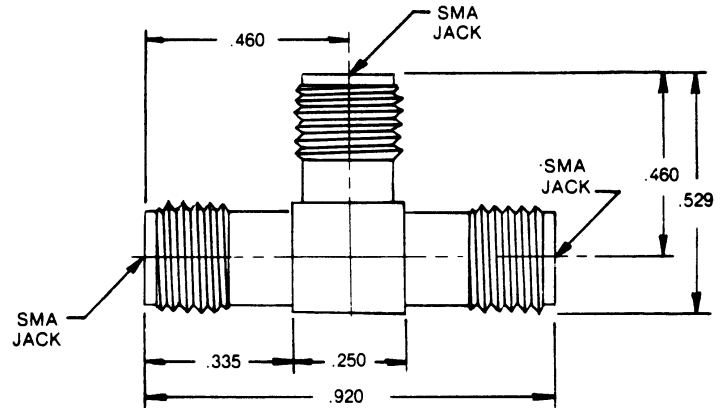
PART NUMBER	DIM (In)	
	A	B
DC-12.4 GHz		
2993-6005	.500	.625
DC-18 GHz		
2993-6650	.427	.552

Add suffix SF to Part Number for Stainless Finish Version



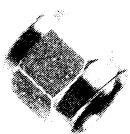
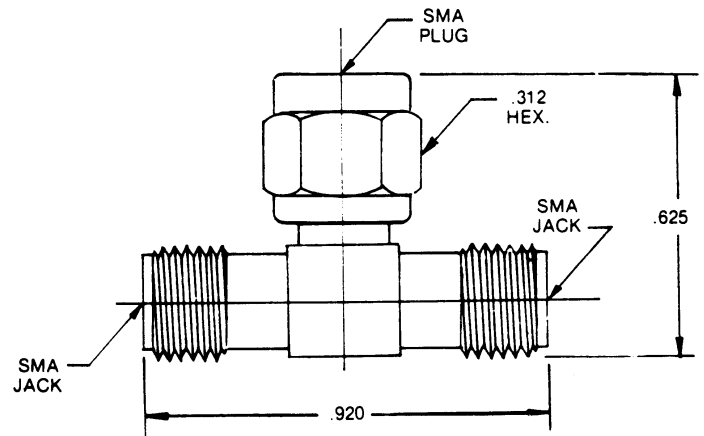
Adapter/Tee Jack/Jack/Jack

2995-6001



Tee Adapter Jack/Plug/Jack

2996-6001



Dust Cap Plug

2998-6001

