



Mini contactor relay, 4NO/0NC, AC operated

Part no.

DILER-40(110V50HZ,120V60HZ)

Article no.

051756

Program

Product range			DILER Mini-contactors
Application			Contactors relays
Connection technique			Screw terminals
Conv. thermal current	I_{th}	A	10
Contacts			
N/O = Normally open			4 N/O
Contact sequence			
For use with			...DILE
Actuating voltage			110 V 50 Hz, 120 V 60 Hz
Voltage AC/DC			AC operation
Code number and version of combination			
Distinctive number			40 E
Auxiliary contact module			
Interlocked opposing contacts		40E	Conforms to EN 50011 - terminal markings of the coil according to EN 50005
Interlocked opposing contacts	02DILE	42E	EN 50011 - Use preferably this combination
Interlocked opposing contacts	04DILE	44E	EN 50011 - Use preferably this combination
Interlocked opposing contacts	11DILE	51E	EN 50011 - Use preferably this combination
1 early-make contact, 1 late-break contact	11DDILE	51	EN 50005
Interlocked opposing contacts	13DILE	53E	EN 50011 - Use preferably this combination
Interlocked opposing contacts	20DILE	60E	EN 50011 - Use preferably this combination
Interlocked opposing contacts	22DILE	62E	EN 50011 - Use preferably this combination
1 early-make contact, 1 late-break contact	22DDILE	62	EN 50005
Interlocked opposing contacts	31DILE	71E	EN 50011 - Use preferably this combination
Interlocked opposing contacts	40DILE	80E	EN 50011 - Use preferably this combination
Instructions	Contact numbers to EN 50011 Coil terminal markings to EN 50005		

General

Standards			IEC/EN 60947, VDE 0660, UL, CSA
Climatic proofing			Damp heat, constant, to IEC 60068-2-78; Damp heat, cyclical, to IEC 60068-2-30
Protection against direct contact when actuated from front (EN 90274)			Finger and back-of-hand proof
Terminal capacities		mm ²	
Pozidriv screwdriver		Size	2
Max. tightening torque		Nm	1.2

Contacts

Overvoltage category/pollution degree			III/3
Rated insulation voltage	U_i	V AC	690
Conv. thermal current	I_{th}	A	10

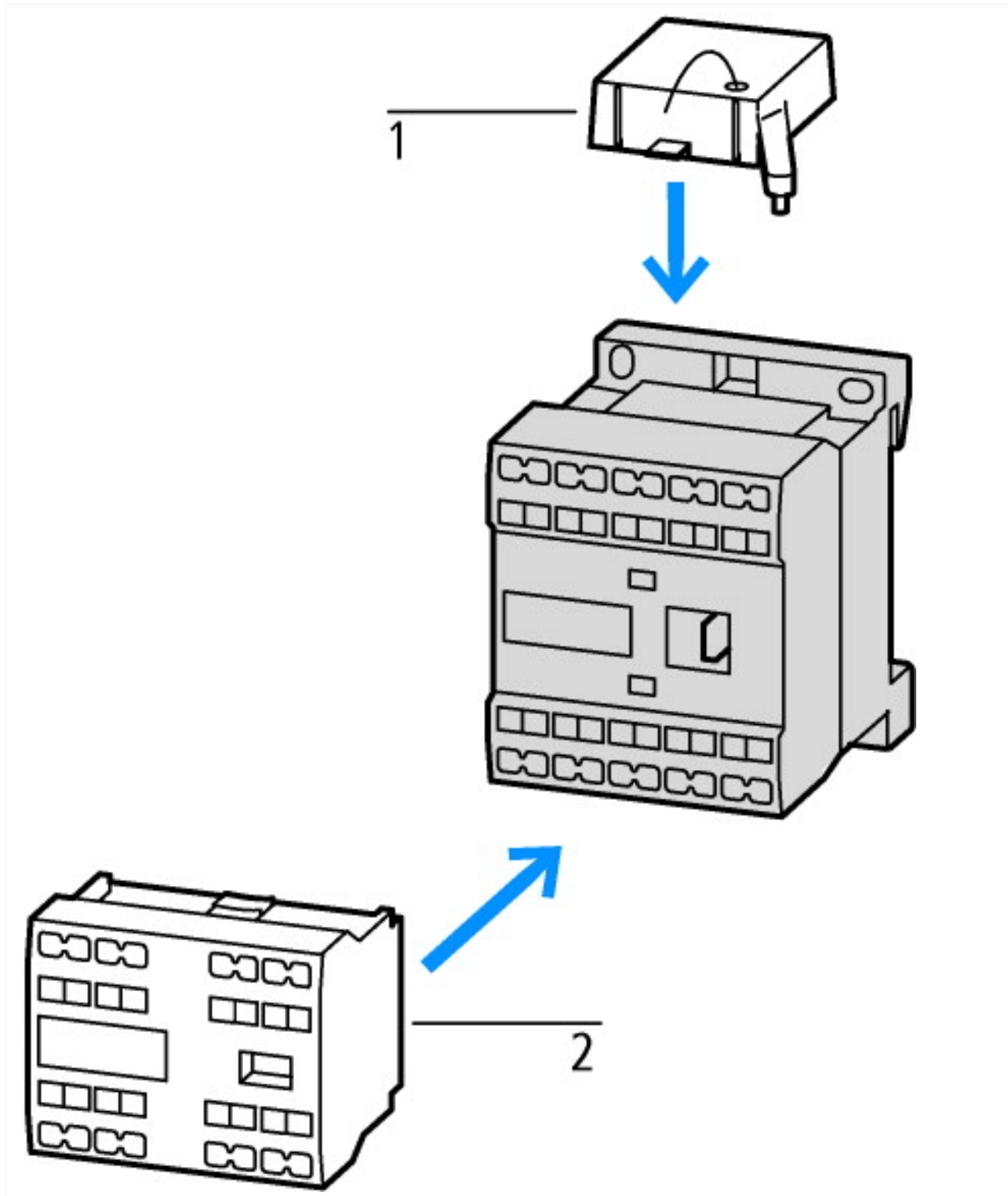
Magnet systems

Power consumption			
50 Hz	Pick-up	VA	25

Technical data according to ETIM 4.0

Connection type main circuit		Screw connection
Rated control voltage Us at DC	V	0
Rated control voltage Us at AC 60HZ	V	120
Rated control voltage Us at AC 50HZ	V	110
Number of auxiliary contacts as changeover contacts		0
Rated operation current Ie , 400 V	A	3
Number of auxiliary contacts as N/Cs		0
Number of auxiliary contacts as N/Os		4
Voltage type for actuation		AC
Number of auxiliary contacts as N/Os, leading		0
Number of auxiliary contacts as N/Cs, delayed switching		0

Characteristics



- 1: Suppressor
- 2: Auxiliary contact module

CAD-Data

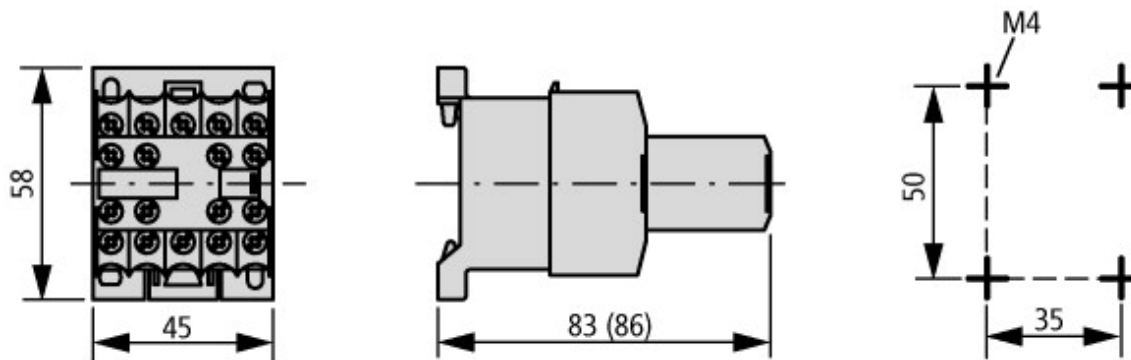
Product standards CAD data:

<http://eaton-moeller.partcommunity.com>

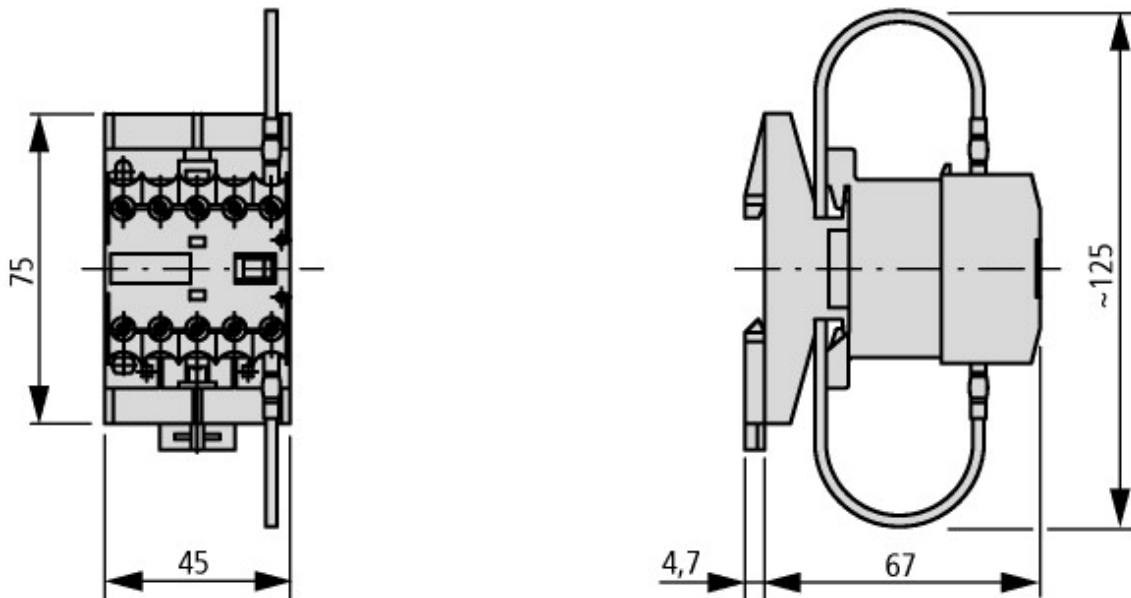
Dimensions



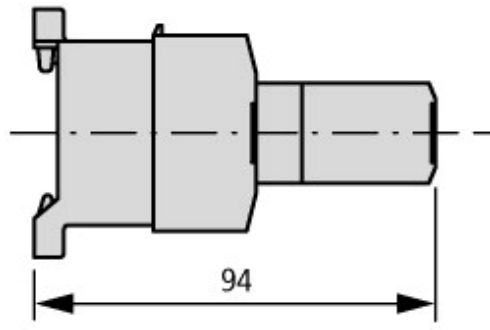
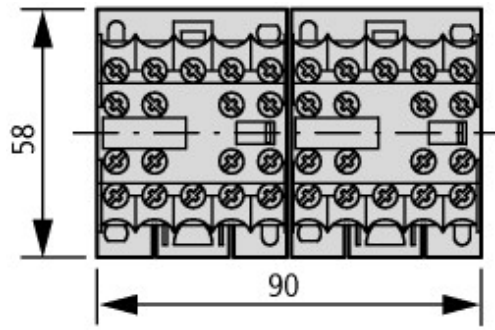
DILER...
DILER...-G



DILER... + ...DILE
DILER...-G + ...DILE



DILER... + TDDILE24



2DILE-... + MVDILE + ...DILE
 2DILE-...-G + MVDILE + ...DILE

Additional product information (links)

IL03407009Z (IL03407009Z) Mini contactor relay	ftp://ftp.moeller.net/DOCUMENTATION/AWA_INSTRUCTIONS/IL03407009Z2010_10.pdf
Installation Instructions	http://www.moeller.net/en/support/instructions_awa.jsp
Documentation	http://www.moeller.net/en/support/index.jsp