



PRODUCT NUMBER
20020039-XXXXXXLF

20020039-□ □ □ □ B 0 □ L F

PITCH
C: 3.50 mm
D: 3.81 mm
H: 5.08 mm

POLES
02: 2 POLES
03: 3 POLES
.....
24: 24 POLES

LF : DENOTED RoHS COMPATIBLE

1 : STANDARD PRODUCT
W/ BOX PACKING

HOUSING CODE

CODE	COLOR	AVAILABILITY
1	GREEN(RAL 6018/T)	STANDARD
2	BLACK	ON REQUEST ONLY
3	GREY(RAL 7004/P)	ON REQUEST ONLY
4	BLUE(RAL 5015/A)	ON REQUEST ONLY

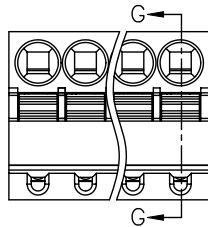
PROPERTY TABLE					
FCI SERIES NAME		35-350	35-381	35-508	
PITCH (mm)		3.50	3.81	5.08	
VOLTAGE RATING (VAC)		300	300	300	
CURRENT RATING (A)		8	8	10	
APPLICABLE WIRE RANGE (AWG)	1-WIRE	16~28	16~28	12~26	
	2-WIRE	NA	NA	NA	
WIRE CROSS SECTION (mm ²)	SOLID	1-WIRE	1.5	1.5	2.5
		2-WIRE	NA	NA	NA
	STRANDED	1-WIRE	1.5	1.5	2.5
		2-WIRE	NA	NA	NA
OPENING CONTACT HOUSING(mm ²)		2.4x1.7	2.4x1.7	2.2x3.0	
WIRE STRIP LENGTH(mm)		8~9	8~9	9~10	
WITHSTANDING VOLTAGE (kV)		1.6	1.6	1.6	
OPERATING TEMP. (°C)		-40~+115	-40~+115	-40~+115	
POLES AVAILABLE		02~24	02~24	02~24	
SAFETY CERTIFICATE					

NOTES:

- MATERIALS
 - 1-1 HOUSING: THERMALPLASTIC RESIN, UL 94V-0 RATED.
 - 1-2 INSULATING LEVER: THERMALPLASTIC RESIN, UL 94V-0 RATED.
 - 1-3 WIRE GUARD : STAINLESS STEEL.
 - 1-4 TERMINAL: COPPER ALLOY, TIN PLATED.
- PRODUCT SPECIFICATION REFER TO FCI GS-12-625.
- PRODUCT PACKING SPECIFICATION REFER TO FCI GS-14-1394.
- FCI, SAFETY CERTIFICATE LOGO AND SERIES NAME TO BE SHOWN ON PRODUCT SURFACE.
- THE PRODUCTS WHERE THE PART NUMBER END IN "LF" MEET THE EUROPEAN UNION DIRECTIVE AND OTHER COUNTRY REGULATIONS AS DESCRIBED IN GS-22-008.

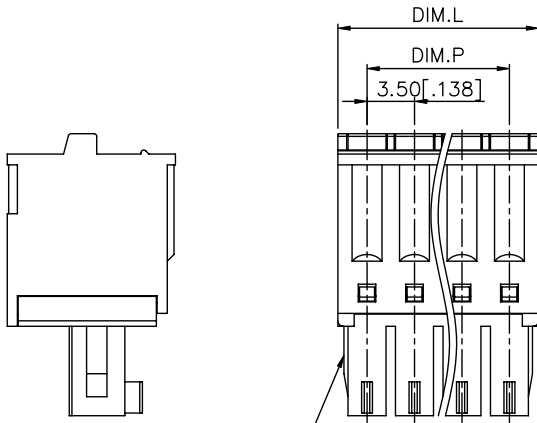
mat'l. code		surface ASME Y14.5 ✓		tolerance ASME Y14.5		projection		product family TERMINAL BLOCK	
ltr	ecn no	dr	date	tolerances unless otherwise specified		MM		title	
A	T11-0004	WL	011811	angles	X.±0.5	INCH		TERMINAL BLOCK PLUGGABLE SIGNAL PLUG,MIDDLSESIDE CONTACT WITHOUT FLANGE	
				X'±1'	X.X±0.3	scale		dwg no	
					X.XX±0.1			sheet 1 of 4 size	
				dr	WENDY CHEN	122710		20020039	
				enrg	JASON HSU	122710		A4	
				chr	JASON HSU	122710		CUSTOMER Drawing	
				appd	JASON HSU	122710		type	
sheet index	revision sheet	A	A	A	A				
		1	2	3	4				

PRODUCT NUMBER	SERIES NAME	PITCH
20020039-CXXXXXLF	35-350	3.50 mm

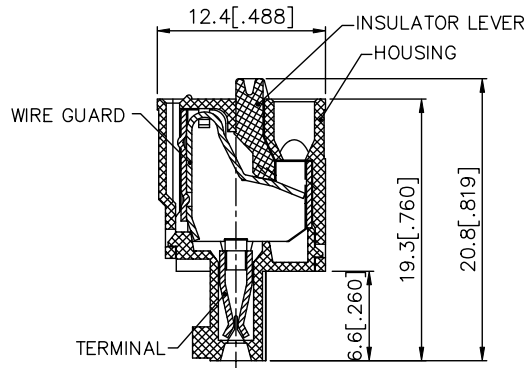
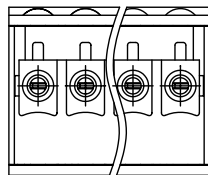


N = Number of poles
 DIM. L = $(N \times 3.50 [.138]) + 0.8 [.031]$
 DIM. P = $(N - 1) \times 3.50 [.138]$

POLES	DIM. L	DIM. P
2-6p	±0.10 [.004]	
7-12p	±0.15 [.006]	
13-18p	±0.20 [.008]	
19-24p	±0.30 [.012]	



2p to 6p with wedge, above 7p
 without wedge (including 7p)



SEC. G-G

mat'l. code	surface ASME Y14.5	tolerance ASME Y14.5	projection	product family TERMINAL BLOCK
ltr	ecn no	dr	date	title
A				TERMINAL BLOCK PLUGGABLE SIGNAL PLUG, MIDDLESIDE CONTACT WITHOUT FLANGE
	angles	X.±0.5	MM	dwg no
	X'±1'	X.X±0.3	[INCH]	20020039
		X.XX±0.1	scale	sheet 2 of 4
	dr	WENDY CHEN	122710	size
	enr	JASON HSU	122710	A4
	chr	JASON HSU	122710	
	appd	JASON HSU	122710	
sheet	revision			type
index	sheet			CUSTOMER Drawing

Copyright FCI.

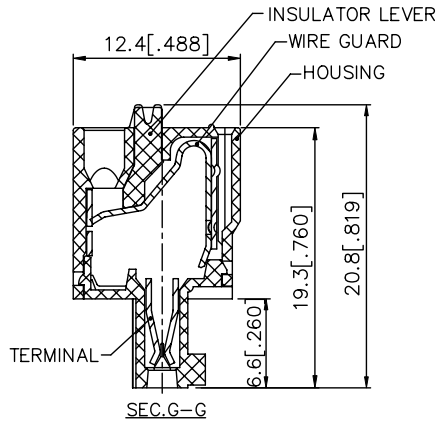
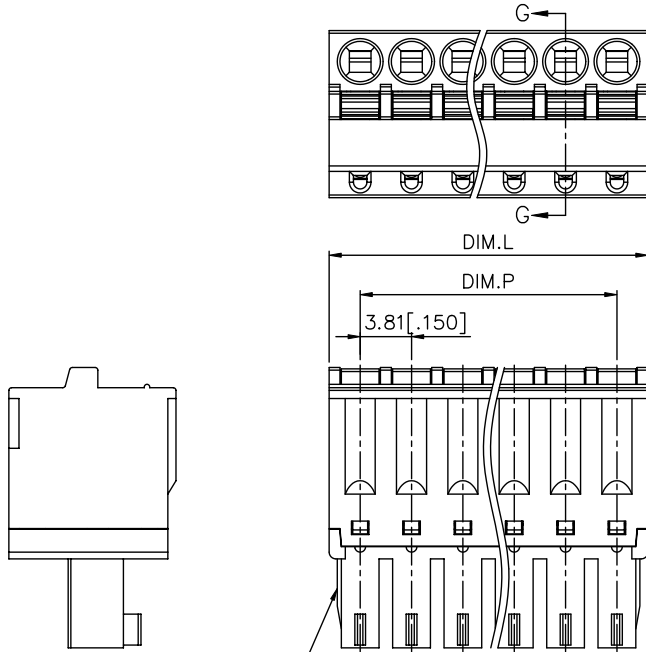


FCIconnect.com

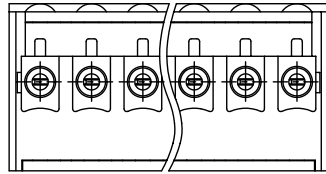
PRODUCT NUMBER	SERIES NAME	PITCH
20020039-DXXXXXXLF	35-381	3.81 mm

N = Number of poles
 DIM. L = $(N \times 3.81 [.150]) + 0.8 [.031]$
 DIM. P = $(N - 1) \times 3.81 [.150]$

POLES	DIM. L	DIM. P
2-6p	$\pm 0.20 [.008]$	$\pm 0.20 [.008]$
7-12p	$\pm 0.25 [.010]$	$\pm 0.25 [.010]$
13-18p	$\pm 0.30 [.012]$	$\pm 0.30 [.012]$
19-24p	$\pm 0.40 [.016]$	$\pm 0.35 [.014]$



2p to 6p with wedge, above 7p without wedge (including 7p)

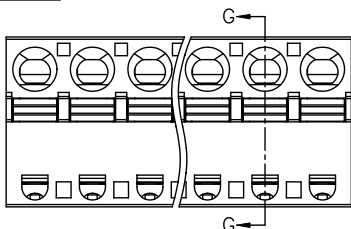


mat'l. code	surface ASME Y14.5	tolerance ASME Y14.5	projection MM	product family TERMINAL BLOCK						
ltr	ecn	no	dr	date	tolerances unless otherwise specified	angles	scale	title TERMINAL BLOCK PLUGGABLE SIGNAL PLUG, MIDDLESIDE CONTACT WITHOUT FLANGE		
A					X. \pm 0.5	X. \pm 0.3	MM	dwg no 20020039		
					X.XX \pm 0.1	X.XX \pm 0.1	INCH	sheet 3 of 4 size A4		
					dr WENDY CHEN 122710	enr JASON HSU 122710	chr JASON HSU 122710	appd JASON HSU 122710	FCI logo	type CUSTOMER Drawing
sheet index	revision sheet									

form: A4mmXLc

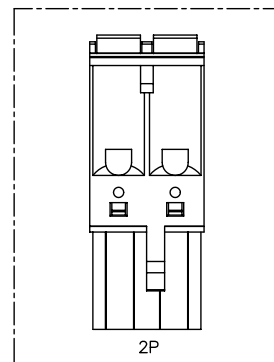
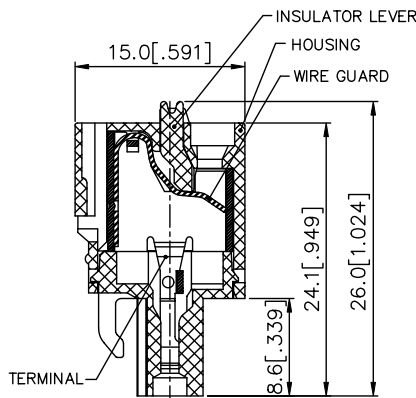
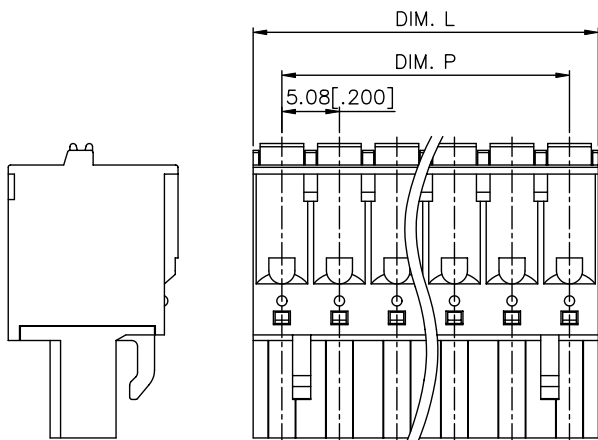
PDM: Rev:A 3 STATUS Released 4 Printed: Jan 26, 2011

PRODUCT NUMBER	SERIES NAME	PITCH
20020039-HXXXXXLF	35-508	5.08 mm



N = Number of poles
 DIM. L = (N x 5.08) [.200]
 DIM. P = (N - 1) x 5.08 [.200]

POLES	DIM. L	DIM. P
2-6p	±0.15 [.006]	
7-12p	±0.20 [.010]	
13-16p	±0.30 [.012]	
17-24p	±0.40 [.016]	



SEC. G-G

mat'l. code	surface ASME Y14.5	tolerance ASME Y14.5	projection	product family TERMINAL BLOCK
itr	ecn	no	dr	date
tolerances unless otherwise specified				
A				
angle	X.±0.5		MM	title
	X.X±0.3		[INCH]	TERMINAL BLOCK
	X.XX±0.1		scale	PLUGGABLE SIGNAL PLUG, MIDDLESIDE CONTACT
				WITHOUT FLANGE
dr	WENDY CHEN	122710		dwg no
enr	JASON HSU	122710		20020039
chr	JASON HSU	122710		sheet 4 of 4
appd	JASON HSU	122710		size A4
sheet	revision			type
index	sheet			CUSTOMER Drawing