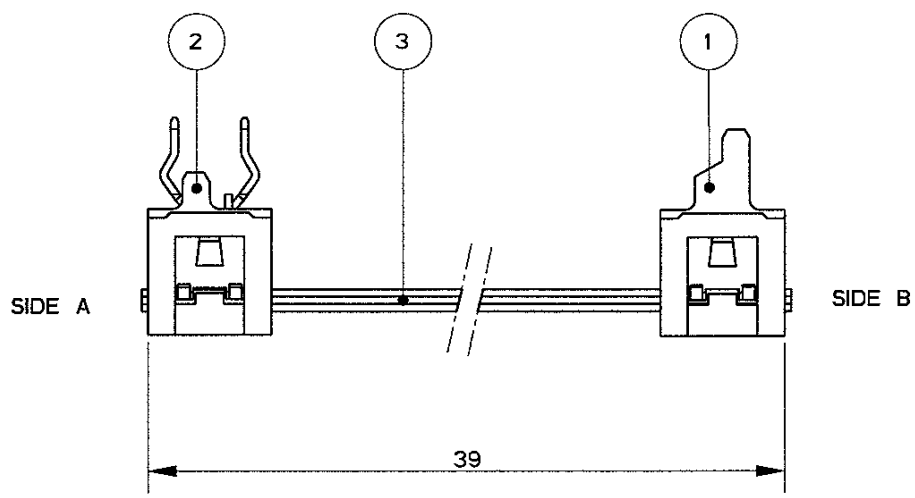
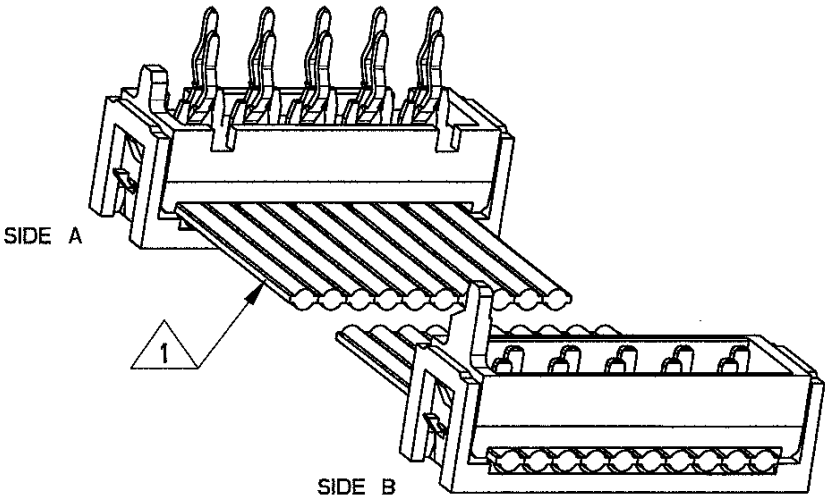


LOC	DIST
H	-

REVISIONS			
LTR	DESCRIPTION	DATE	APVD
0	EH00-0961-97	18-09-97	TVS
A	EH00-0093-98	23-01-98	TVS
C	EH00-0854-98	01-07-98	TVS

NOTES:

- 1 WIRE RED MARKED
- 2 ASSEMBLIES ARE PACKED ACCORDING PACKAGING SPEC. : 107-19574



3	-	BULK-WIRE FLAT RIBBON CABLE	1
2	-	MICRO-MATCH PADDLE BOARD CONNECTOR	1
1	-	MICRO-MATCH MALE ASSY	1
ITEM	PARTNUMBER	DESCRIPTION	QTY.

THIS DRAWING IS UNPUBLISHED.
 BY AMP HOLLAND B.V. ALL RIGHTS RESERVED.
 COPYRIGHT 19

DIMENSIONS: mm TOLERANCES UNLESS OTHERWISE SPECIFIED: 0 PLC ± 5 1 PLC ± - 2 PLC ± - 3 PLC ± - 4 PLC ± - ANGLES ± -	DWN H.SARIMEHMET	MATERIAL	FINISH
	CHK T.VISSERS	AMP AMP-Holland B.V. s Hertogenbosch	
APVD J.V.GRUNSVEN	NAME 10 POS. MICRO-MATCH LEAD ASSY		
PRODUCT SPEC	SIZE A4	CAGE CODE 00779	DRAWING NO C- 3-161342-6
APPLICATION SPEC	WEIGHT	CUSTOMER DRAWING	
		SCALE	SHEET 1 OF 1 REV C