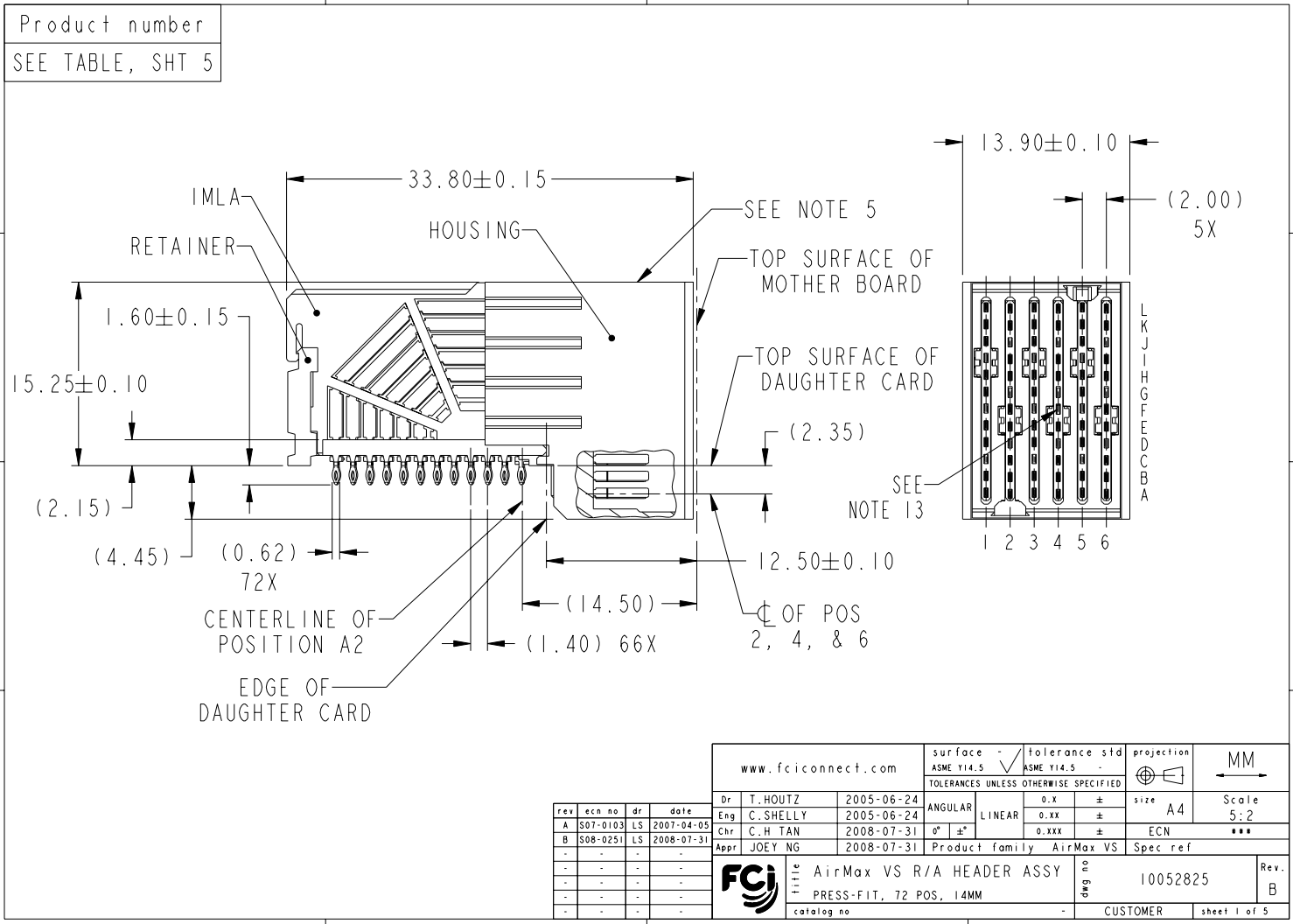




Copyright FCI.



Product number
SEE TABLE, SHT 5

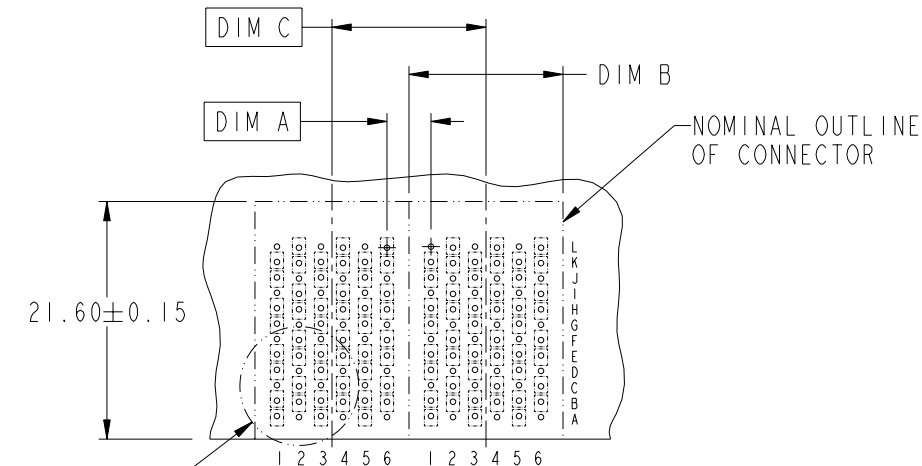
www.fciconnect.com		surface	tolerance std	projection	MM
		ASME Y14.5	ASME Y14.5		Scale
		TOLERANCES UNLESS OTHERWISE SPECIFIED			5:2
Dr	T. HOUTZ	2005-06-24	ANGULAR	size	A4
Eng	C. SHELLY	2005-06-24	LINEAR	ECN	***
Chr	C. H. TAN	2008-07-31	0° ±	Product family	AirMax VS
Appr	JOEY NG	2008-07-31	0.xxx ±	Spec ref	
FCI		AirMax VS R/A HEADER ASSY		part no	10052825
		PRESS-FIT, 72 POS, 14MM		Rev.	B
		catalog no	CUSTOMER	sheet 1 of 5	

REV F - 2008-04-17



Copyright FCI.

DESCRIPTION	DIM A	DIM B	DIM C
2-14MM MODULES PLACED END-TO-END	4.00	13.90 2X	14.00
1-12MM MODULE & 1-14MM MODULE PLACED END-TO-END	3.00	11.90 1X & 13.90 1X	13.00



RECOMMENDED PCB LAYOUT
FOR DIFFERENTIAL APPLICATIONS
COMPONENT SIDE
(TWO ADJACENT FOOTPRINTS SHOWN)
NOTES 6 & 7

	title	AirMax VS R/A HEADER ASSY	drwg no	10052825	Rev.	B
	catalog no	PRESS-FIT, 72 POS, 14MM	-	CUSTOMER	sheet	2 of 5

REV F - 2008-04-17

PDM: Rev:B

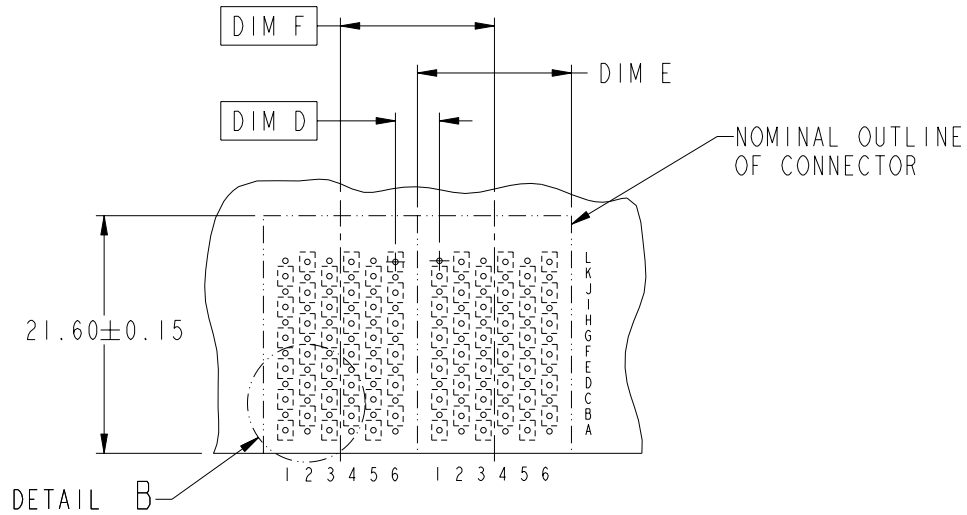
STATUS:Released

Printed: Dec 01, 2010



Copyright FCJ.

	1	2	3	4
	DESCRIPTION	DIM D	DIM E	DIM F
A	2-14MM MODULES PLACED END-TO-END	4.00	13.90 2X	14.00
	1-12MM MODULE & 1-14MM MODULE PLACED END-TO-END	3.00	11.90 1X & 13.90 1X	13.00



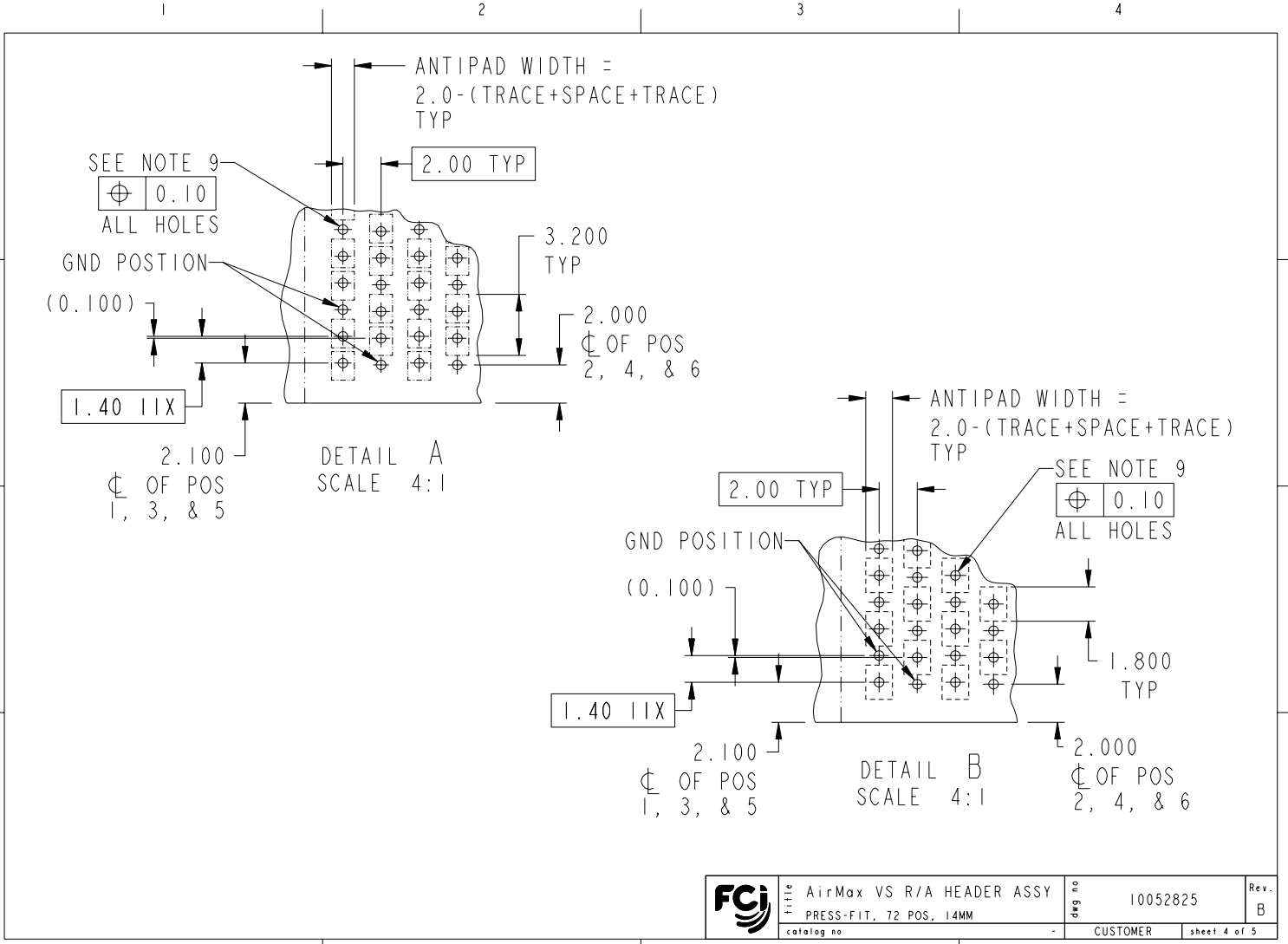
RECOMMENDED PCB LAYOUT
FOR SINGLE ENDED APPLICATIONS
COMPONENT SIDE
(TWO ADJACENT FOOTPRINTS SHOWN)
NOTES 6 & 7

	title AirMax VS R/A HEADER ASSY PRESS-FIT, 72 POS, 14MM	dwg no 10052825	Rev. B
	catalog no -	CUSTOMER	sheet 3 of 5
	PDM: Rev:B STATUS:Released ⁴ Printed: Dec 01, 2010		

REV F - 2008-04-17



Copyright FCJ.



REV F - 2000-04-17

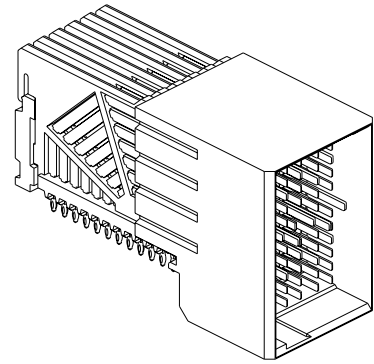
	title	AirMax VS R/A HEADER ASSY	dwg no	10052825	Rev.	B
	catalog no	PRESS-FIT, 72 POS, 14MM		CUSTOMER	sheet	4 of 5


PDM: Rev:B STATUS:Released 4 Printed: Dec 01, 2010


PART NUMBER	PRESS-FIT TAIL PLATING TYPE	SHORT DETECT CONTACT
10052825-101	TIN/LEAD ALLOY OVER NICKEL	NO
10052825-101LF	TIN OVER NICKEL (LEAD FREE)	
10052825-111	TIN/LEAD ALLOY OVER NICKEL	YES (SEE NOTE 13)
10052825-111LF	TIN OVER NICKEL (LEAD FREE)	

NOTES:

1. CONNECTOR MATERIALS:
HOUSING & RETAINER: HIGH TEMP THERMOPLASTIC, NATURAL, UL94V-0
IMLA PLASTIC: HIGH TEMP THERMOPLASTIC, BLACK, UL94V-0
CONTACT: COPPER ALLOY
2. CONTACT PLATING:
SEPARABLE INTERFACE:
PERFORMANCE-BASED PLATING, QUALIFIED TO MEET THE REQUIREMENTS OF FCI PRODUCT SPECIFICATION GS-12-239, INCLUDING TELCORDIA GR-1217-CORE (NOVEMBER 1995) CENTRAL OFFICE.
PRESS-FIT TAILS: SEE TABLE
3. PRODUCT SPECIFICATION: GS-12-239
4. APPLICATION SPECIFICATION: GS-20-035
5. PRODUCT MARKING, (PART NUMBER & LOT CODE), ON THIS SURFACE
6. REFER TO CUSTOMER DRAWING 10035911 FOR INFORMATION REGARDING PCB LAYOUT OF POWER AND GUIDE MODULES RELATIVE TO SIGNAL MODULES
7. POSITIONS F OF ODD NUMBERED COLUMNS AND POSITIONS G OF EVEN NUMBERED COLUMNS CORRESPOND TO EARLY MATE HEADER PINS
8. THERE IS NO GROUND BUSSING WITHIN THE CONNECTOR SYSTEM
9. REFER TO CUSTOMER DRAWING 10045979 FOR INFORMATION ON PCB HOLE DIAMETERS AND PLATING OPTIONS.



10. THIS PRODUCT MEETS EUROPEAN UNION DIRECTIVES AND OTHER COUNTRY REGULATIONS AS DESCRIBED IN GS-22-008.
11. THE HOUSING WILL WITHSTAND EXPOSURE TO 260°C PEAK TEMPERATURE FOR 40 SECONDS IN A CONVECTION, INFRA-RED OR VAPOR PHASE REFLOW OVEN.
12. PACKAGING MEETS GS-14-920 LEAD FREE LABELING SPECIFICATION.
13. MATING PIN F4 IS SHORTER THAN ALL REMAINING SIGNAL PINS. NOMINAL MATING WIPE FOR PIN F4 IS 0.5MM LESS THAN ALL REMAINING SIGNAL PINS.
14. A  SYMBOL WILL BE NEXT TO ANY DIMENSION, VIEW, OR NOTE WHICH HAS BEEN MODIFIED WITH THE CURRENT DRAWING REVISION.

	Part no	AirMax VS R/A HEADER ASSY	Draw no	10052825	Rev.	B
	catalog no	PRESS-FIT, 72 POS, 1.4MM		CUSTOMER	sheet	5 of 5