



PRODUCT NUMBER
20020039-XXXXXXLF

20020039-□ □ □ □ B 0 □ L F

PITCH
C: 3.50 mm
D: 3.81 mm
H: 5.08 mm

POLES
02: 2 POLES
03: 3 POLES
.....
24: 24 POLES

LF : DENOTED RoHS COMPATIBLE

1 : STANDARD PRODUCT
W/ BOX PACKING

PROPERTY TABLE					
FCI SERIES NAME		35-350	35-381	35-508	
PITCH (mm)		3.50	3.81	5.08	
VOLTAGE RATING (VAC)		300	300	300	
CURRENT RATING (A)		8	8	10	
APPLICABLE WIRE RANGE (AWG)	1-WIRE	16~28	16~28	12~26	
	2-WIRE	NA	NA	NA	
WIRE CROSS SECTION (mm ²)	SOLID	1-WIRE	1.5	1.5	2.5
		2-WIRE	NA	NA	NA
	STRANDED	1-WIRE	1.5	1.5	2.5
		2-WIRE	NA	NA	NA
OPENING CONTACT HOUSING(mm ²)		2.4x1.7	2.4x1.7	2.2x3.0	
WIRE STRIP LENGTH(mm)		8~9	8~9	9~10	
WITHSTANDING VOLTAGE (kV)		1.6	1.6	1.6	
OPERATING TEMP. (°C)		-40~+115	-40~+115	-40~+115	
POLES AVAILABLE		02~24	02~24	02~24	
SAFETY CERTIFICATE					

HOUSING CODE

CODE	COLOR	AVAILABILITY
1	GREEN(RAL 6018/T)	STANDARD
2	BLACK	ON REQUEST ONLY
3	GREY(RAL 7004/P)	ON REQUEST ONLY
4	BLUE(RAL 5015/A)	ON REQUEST ONLY

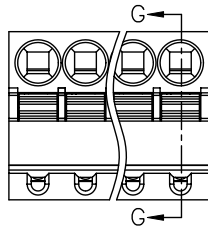
NOTES:

1. MATERIALS

- 1-1 HOUSING: THERMALPLASTIC RESIN, UL 94V-0 RATED.
- 1-2 INSULATING LEVER: THERMALPLASTIC RESIN, UL 94V-0 RATED.
- 1-3 WIRE GUARD : STAINLESS STEEL.
- 1-4 TERMINAL: COPPER ALLOY, TIN PLATED.
2. PRODUCT SPECIFICATION REFER TO FCI GS-12-625.
3. PRODUCT PACKING SPECIFICATION REFER TO FCI GS-14-1394.
4. FCI, SAFETY CERTIFICATE LOGO AND SERIES NAME TO BE SHOWN ON PRODUCT SURFACE.
5. THE PRODUCTS WHERE THE PART NUMBER END IN "LF" MEET THE EUROPEAN UNION DIRECTIVE AND OTHER COUNTRY REGULATIONS AS DESCRIBED IN GS-22-008.

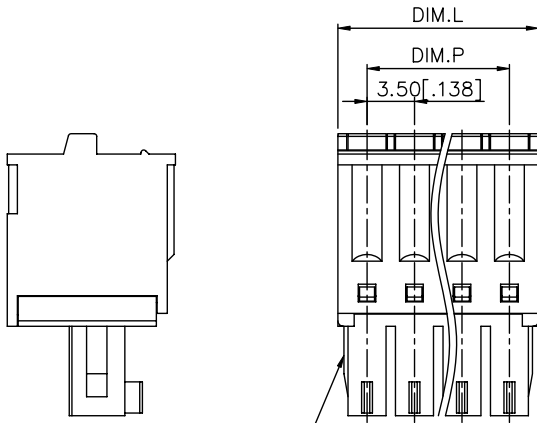
mat'l. code		surface ASME Y14.5 ✓		tolerance ASME Y14.5		projection		product family	
A T11-0004 WL 01811		angles		X.±0.5		MM		TERMINAL BLOCK	
		X'±1'		X.X±0.3		INCH		title	
		X.XX±0.1		scale		FCI		TERMINAL BLOCK PLUGGABLE SIGNAL PLUG,MIDDLERSIDE CONTACT WITHOUT FLANGE	
		dr WENDY CHEN 122710						dwg no	
		enrg JASON HSU 122710						sheet 1 of 4	
		chr JASON HSU 122710						20020039	
		appd JASON HSU 122710						A4	
sheet index		revision sheet		A A A A				type	
1		2 3 4						CUSTOMER Drawing	

PRODUCT NUMBER	SERIES NAME	PITCH
20020039-CXXXXXLF	35-350	3.50 mm

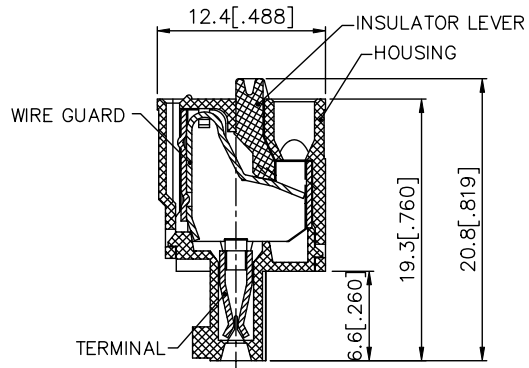
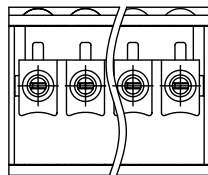


N = Number of poles
 DIM. L = $(N \times 3.50 [.138]) + 0.8 [.031]$
 DIM. P = $(N - 1) \times 3.50 [.138]$

POLES	DIM. L	DIM. P
2-6p	±0.10 [.004]	
7-12p	±0.15 [.006]	
13-18p	±0.20 [.008]	
19-24p	±0.30 [.012]	



2p to 6p with wedge, above 7p
 without wedge (including 7p)



SEC. G-G

mat'l. code	surface ASME Y14.5	tolerance ASME Y14.5	projection	product family TERMINAL BLOCK
ltr	ecn no	dr	date	title
A				TERMINAL BLOCK PLUGGABLE SIGNAL PLUG, MIDDLESIDE CONTACT WITHOUT FLANGE
	angles			MM [INCH]
	X ± 1°	X ± 0.5		scale
		X.X ± 0.3		dwg no
		X.XX ± 0.1		sheet 2 of 4
	dr	WENDY CHEN	122710	FCI
	enr	JASON HSU	122710	20020039
	chr	JASON HSU	122710	A4
	appd	JASON HSU	122710	type
sheet	revision			CUSTOMER Drawing
index	sheet			

Copyright FCI.

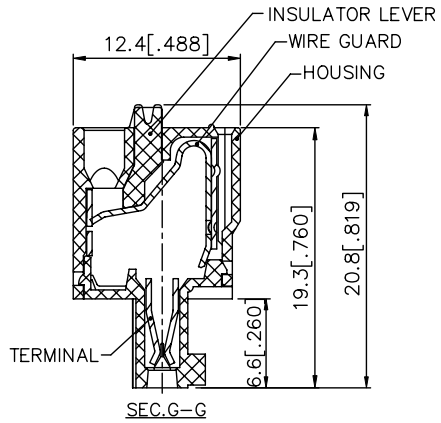
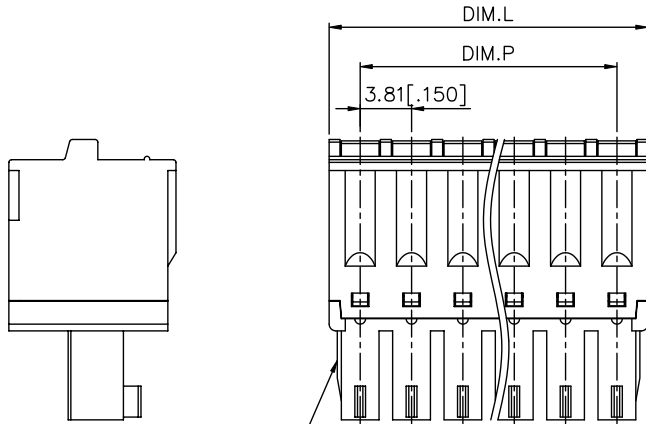
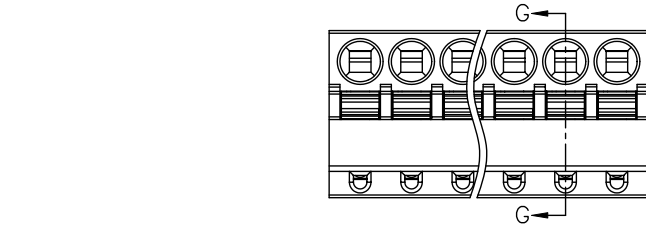


FCIconnect.com

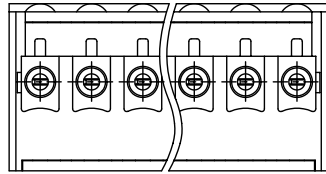
PRODUCT NUMBER	SERIES NAME	PITCH
20020039-DXXXXXXLF	35-381	3.81 mm

N = Number of poles
 DIM. L = $(N \times 3.81 [.150]) + 0.8 [.031]$
 DIM. P = $(N - 1) \times 3.81 [.150]$

POLES	DIM. L	DIM. P
2-6p	$\pm 0.20 [.008]$	$\pm 0.20 [.008]$
7-12p	$\pm 0.25 [.010]$	$\pm 0.25 [.010]$
13-18p	$\pm 0.30 [.012]$	$\pm 0.30 [.012]$
19-24p	$\pm 0.40 [.016]$	$\pm 0.35 [.014]$



2p to 6p with wedge, above 7p without wedge (including 7p)



mat'l. code	surface ASME Y14.5	tolerance ASME Y14.5	projection 	product family TERMINAL BLOCK				
ltr	ecn	no	dr	date	tolerances unless otherwise specified	angles X. \pm 0.5	scale MM	title TERMINAL BLOCK PLUGGABLE SIGNAL PLUG, MIDDLESIDE CONTACT WITHOUT FLANGE
A					X. \pm 0.3		INCH	dwg no 20020039
					X.XX \pm 0.1		scale	sheet 3 of 4 size A4
					dr WENDY CHEN 122710			type CUSTOMER Drawing
					enrg JASON HSU 122710			
					chr JASON HSU 122710			
					appd JASON HSU 122710			
sheet	revision							
index	sheet							

form: A4mmXLc

PDM: Rev:A 3

STATUS Released

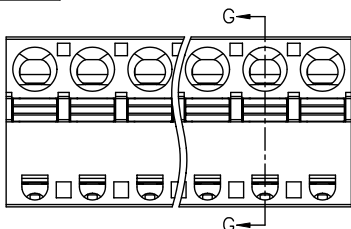
Printed: Jan 26, 2011 4

Copyright FCI.



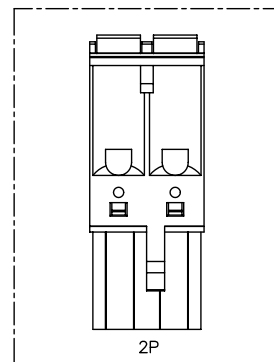
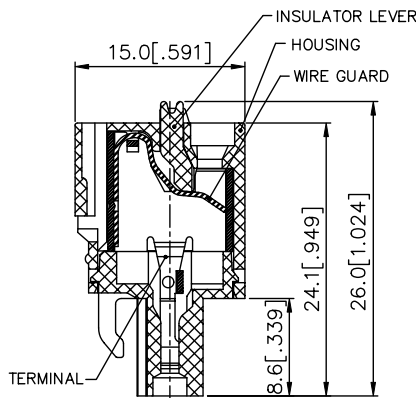
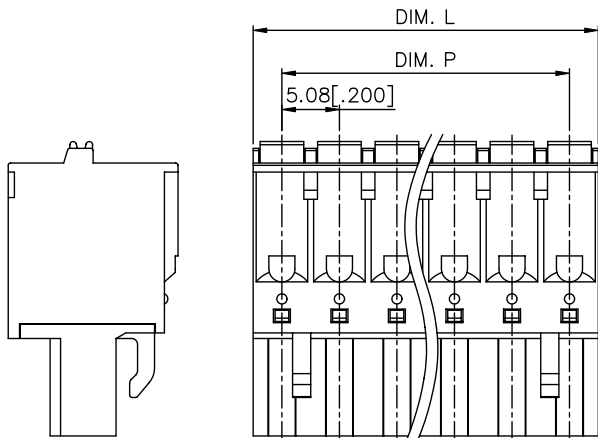
FCIconnect.com

PRODUCT NUMBER	SERIES NAME	PITCH
20020039-HXXXXXL	35-508	5.08 mm



N = Number of poles
 DIM. L = (N x 5.08) [.200]
 DIM. P = (N - 1) x 5.08 [.200]

POLES	DIM. L	DIM. P
2-6p	±0.15 [.006]	
7-12p	±0.20 [.010]	
13-16p	±0.30 [.012]	
17-24p	±0.40 [.016]	



mat'l. code	surface ASME Y14.5	tolerance ASME Y14.5	projection	product family TERMINAL BLOCK
itr	ecn	no	dr	date
tolerances unless otherwise specified				
angle	X.±0.5		MM	title
X'±1'	X.X±0.3		[INCH]	TERMINAL BLOCK PLUGGABLE SIGNAL PLUG, MIDDLESIDE CONTACT WITHOUT FLANGE
dr			scale	dwg no
WENDY CHEN 122710			FCI	sheet 4 of 4 size
enr JASON HSU 122710				20020039 A4
chr JASON HSU 122710				type
appd JASON HSU 122710				CUSTOMER Drawing
sheet	revision			
index	sheet			

form: A4mmXLc

PDM: Rev:A 3 STATUS Released Printed: Jan 26, 2014 4