



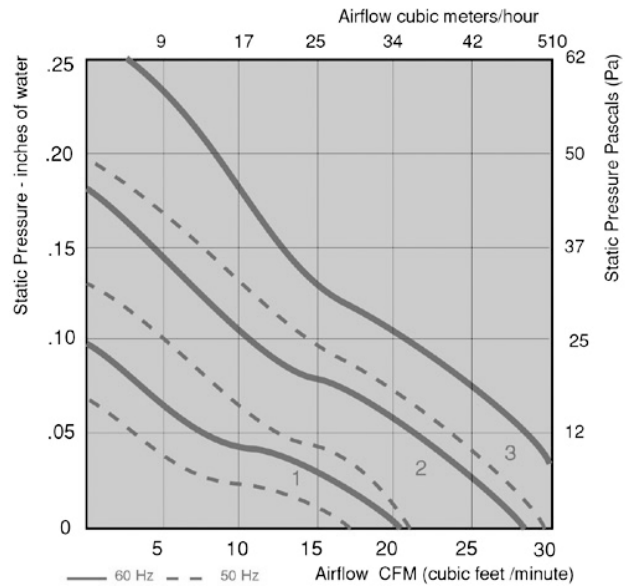
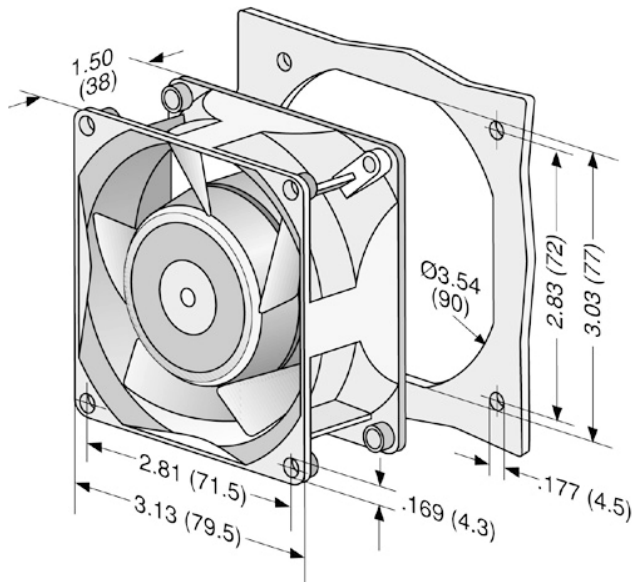
# 8000V Series

# Tubeaxial

80x80x38mm

- AC fans with external rotor shaded-pole motor. Impedance protected against overloading.
- Metal fan housing and impeller.
- Air exhaust over struts. Rotational direction CW looking at rotor.
- Mounting from either face using four 4.3 mm holes.
- Electrical connection via 2 leads. Stripped and tinned ends.
- Fan housing with ground lug and screw M 4 x 8 (TORX).
- UL, CSA, VDE approvals on some models, please contact application engineering.

Part Number	CFM @ 0	Curve	Volts	Hertz	Power (W)	dBA	Max Ambient Temp C	Wgt. (lbs)	Type Of Bearing	Features
8830V	21	1	115	50/60	8	21	80	1.06	Sintec	Terminals
8800V	28	2	115	50/60	11	28	70	1.06	Sintec	Terminals
8500V	36	3	115	50/60	11	34	75	1.06	Sintec	Terminals
8506V	36	3	115	50/60	11	35	95	1.06	Ball	Terminals
8880V	21	1	230	50/60	8	21	80	1.06	Sintec	Terminals
8850V	28	2	230	50/60	11	28	70	1.06	Sintec	Terminals
8550V	36	3	230	50/60	11	34	75	1.06	Sintec	Terminals
8556V	36	3	230	50/60	11	35	95	1.06	Ball	Terminals
8560VW	36	3	115/230	50/60	11	34	70	1.06	Sintec	Leads



e-mail: [sales@ebm.com](mailto:sales@ebm.com) • TEL: 860-674-1515 • FAX: 860-674-8536  
 ebm Industries, Inc., 100 Hyde Road, Farmington, CT 06034 USA  
 ebm Industries, Inc., 2003 © ebm Industries, Inc. reserves the right to change any specifications or data without notice