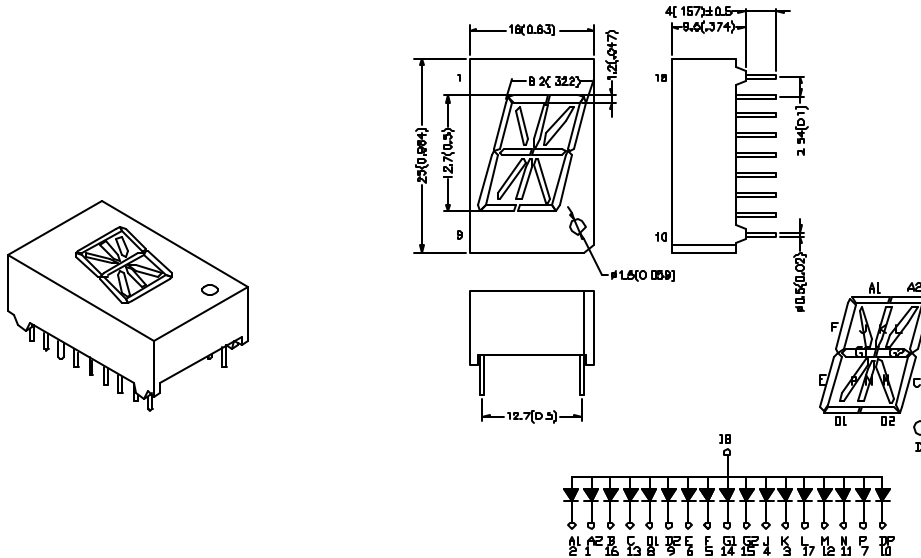


**Alpha numerical display 0.5", single digit**

**LA1005**



Notes: All dimensions are in mm (inch)  
Tolerance is  $\pm 0.25$  mm (0.01") unless otherwise specified

**Electro-optical Characteristic: ( $T_a = 25^\circ\text{C}$ )**

Part No.		Chip Material	Emitting Color	Wavelength (nm)	$I_v(\text{mcd})@10\text{mA}$
Common Anode	Common Cathode				Typical
LA1005-R-A	LA1005-R-C	GaP	Red	700	650
LA1005-RE-A	LA1005-RE-C	GaAsP/GaP	Red	635	2000
LA1005-G-A	LA1005-G-C	GaP	Green	565	2000
LA1005-YE-A	LA1005-YE-C	GaAsP/GaP	Yellow	585	1600
LA1005-RS-A	LA1005-RS-C	GaAlAs	Red	660	10000

**Features**

- 0.5 inch digit height
- Uniformly illuminated segments
- Low power requirement
- Wide viewing angle
- IC compatible
- Easy mounting on PCB or socket
- Different sizes and number of digit are available

**Description**

Devices have choice of gray and black face to contrast with white segments.