

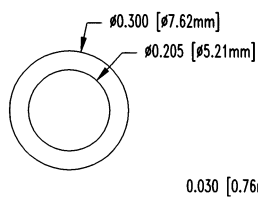
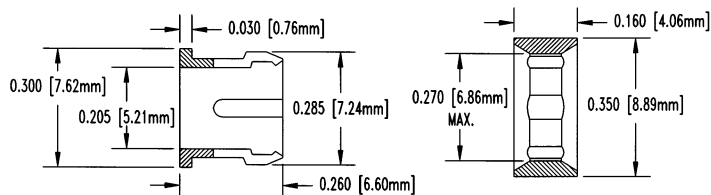
## RINGS AND CLIPS

### Snap-In Mounting Hardware

- Securely position panel mounted LEDs
- Molded from black nylon per ASTM D-4066 unless noted
- Improves and enhances display appearance

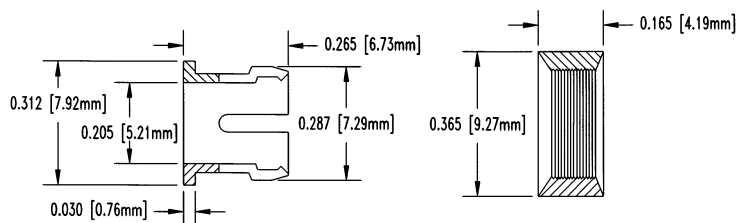
#### CR-174 Series

Molded T-1½ (5mm) snap-in panel mount  
 Color: Black  
 Price Code: G  
 Material: Nylon  
 Clip made from 94V-2 material



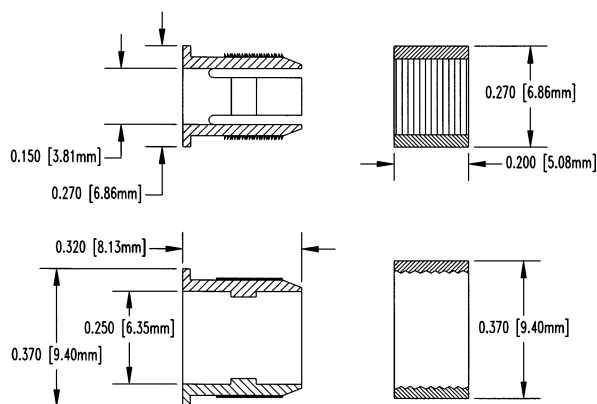
#### C-174L Series

Molded T-1½ (5mm) snap-in panel mount  
 Color: Black  
 Price Code: I  
 Material: Nylon  
 Clip made from 94V-2 material



#### CR-175 Series

Clip and ring set for small flange T-1½ LEDs  
 Color: Black  
 Price Code: C  
 Material: Polypropylene



#### CR-300 Series

Clip and ring set for rectangular LEDs  
 Color: Black  
 Price Code: C  
 Material: Polypropylene

#### CR-301-1 Series

Clip only, self-retaining panel mount  
 Color: Black  
 Price Code: I  
 Clip made from 94V-2 material

