

# Varicon®

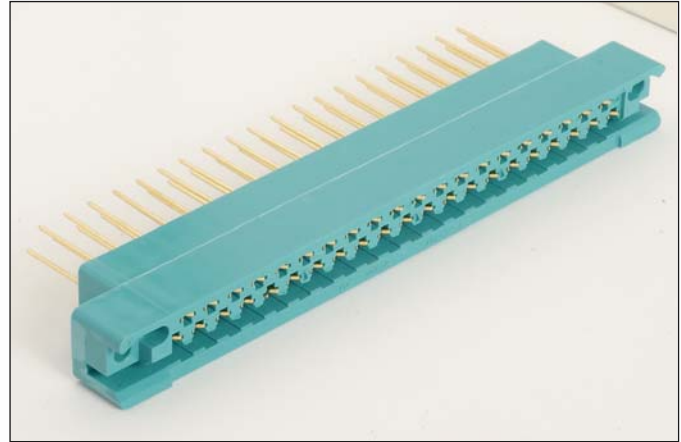
## Series 7038 – 0.100"

### Staggered Dual Row



## FEATURES

- Varilok® contacts are insertable and removable by user
- Crimp, solderless wrap, tapered tab, and wire hole terminations available
- All crimping, insertion, and extraction equipment available (see page 26)
- Guide sockets facilitate mating, ensure correct alignment
- Open-ended card slot; no p.c. card notching necessary
- Mates with Series 7023 Plug



## TECHNICAL SPECIFICATIONS

### Current Rating:

8 amperes

### Contact Resistance:

6 milliohms, maximum

### Contact Material and Plating:

Phosphor Bronze

Gold, 10 microinches minimum, over nickel, 50 to 100 microinches

### Insulator Material:

Diallyl phthalate, glass-filled, flame resistant, per MIL-M-14F, Type SDGF.

### Insulation Resistance:

5,000 megohms, minimum

### Dielectric Withstanding Voltage:

Sea Level: 1800 Volts rms

3.4" Hg: 675 Volts rms

### Insertion/Withdrawal Force:

2 to 16 ounces per contact

### Operating Temperature:

-40°C to +120°C

## ORDERING CODE

00

7038

023

000

001

### Number of Contacts

017, 023, 029,  
035, 041

### Contact Code

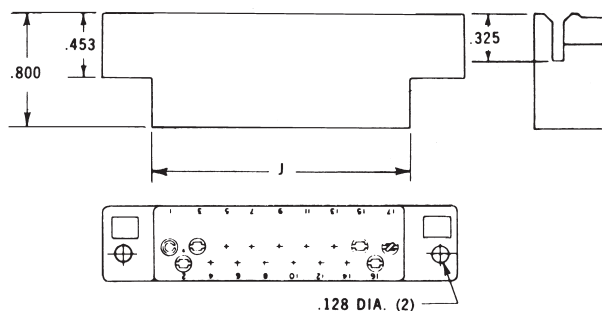
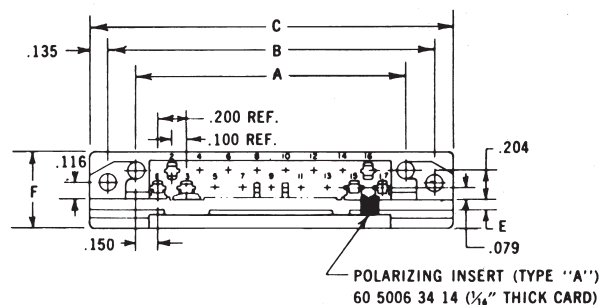
See table.

### Variation Code

001 = 1/16" Thick Card  
002 = 3/32" Thick Card  
110 = 1/16" Thick Card 50 mil Gold  
111 = 3/32" Thick Card 50 mil Gold

|   |  |
|---|--|
| 217 = 60 8017 05 13                               |  |
| Wire Hole   |  |
| 218 = 60 8017 06 13                               |  |
| Solderless Wrap Tail – .025" x .050" x .567"      |  |
| 750 = 60 8017 06 23                               |  |
| Solderless Wrap Tail – .025" x .050" x .760"      |  |
| 296 = 60 8017 06 33                               |  |
| Solderless Wrap Tail – .025" x .025" x .580"      |  |
| 504 = 60 8017 06 63                               |  |
| Solderless Wrap Tail – .025" x .025" x .170"      |  |
| *000 = 60 8017 03 13                              |  |
| Wire Crimp Tail (Contacts Loose) 18-26 AWG        |  |
| *000 = 60 8017 03 23                              |  |
| Wire Crimp Tail<br>(Contacts on a Reel) 18-26 AWG |  |

\*Order separately by part number, refer to page 25



**DIMENSIONS:**

millimeters (inches)

| Number of Contacts | A             | B             | C Max.        | D             | E            |              | F      | G            | J             |
|--------------------|---------------|---------------|---------------|---------------|--------------|--------------|--------|--------------|---------------|
|                    |               |               |               |               | 1/16" Card   | 3/32" Card   |        |              |               |
| 17                 | 1.900 (0.075) | 2.300 (0.091) | 2.570 (0.101) | 1.890 (0.075) | .074 (0.003) | .105 (0.004) | 17/32" | .571 (0.022) | 1.850 (0.073) |
| 23                 | 2.500 (0.099) | 2.900 (0.114) | 3.170 (0.125) | 2.490 (0.098) | .074 (0.003) | .105 (0.004) | 17/32" | .571 (0.022) | 2.450 (0.096) |
| 29                 | 3.100 (0.122) | 3.500 (0.138) | 3.770 (0.148) | 3.090 (0.121) | .074 (0.003) | .105 (0.004) | 17/32" | .571 (0.022) | 3.050 (0.120) |
| 35                 | 3.700 (0.146) | 4.100 (0.161) | 4.370 (0.172) | 3.690 (0.145) | .074 (0.003) | .105 (0.004) | 17/32" | .571 (0.022) | 3.650 (0.144) |
| 41                 | 4.300 (0.169) | 4.700 (0.185) | 4.970 (0.196) | 4.290 (0.169) | .074 (0.003) | .105 (0.004) | 17/32" | .571 (0.022) | 4.250 (0.167) |

**MOUNTING LAYOUT**

