

Rack Systems

Complete 19" rack with side walls, transversal rails and mounting flanges. Six guiding rails are included for set up of a system with up to three T units together with a back plane, BPF or BPD type (T units and back plane not included).

The guiding rails shall be fixed to the rack by the delivered screws (12 screws M2.5 x 12 and 12 nuts).

The rack can also be used for different 19" cassette type converters like Q, M, K ect. (additional guiding rails may be necessary).

Part no.: MQB 02002

Size: 19" / 3U / 84 HP



19" and 23" (IEC 60297-1, -2 and -3)

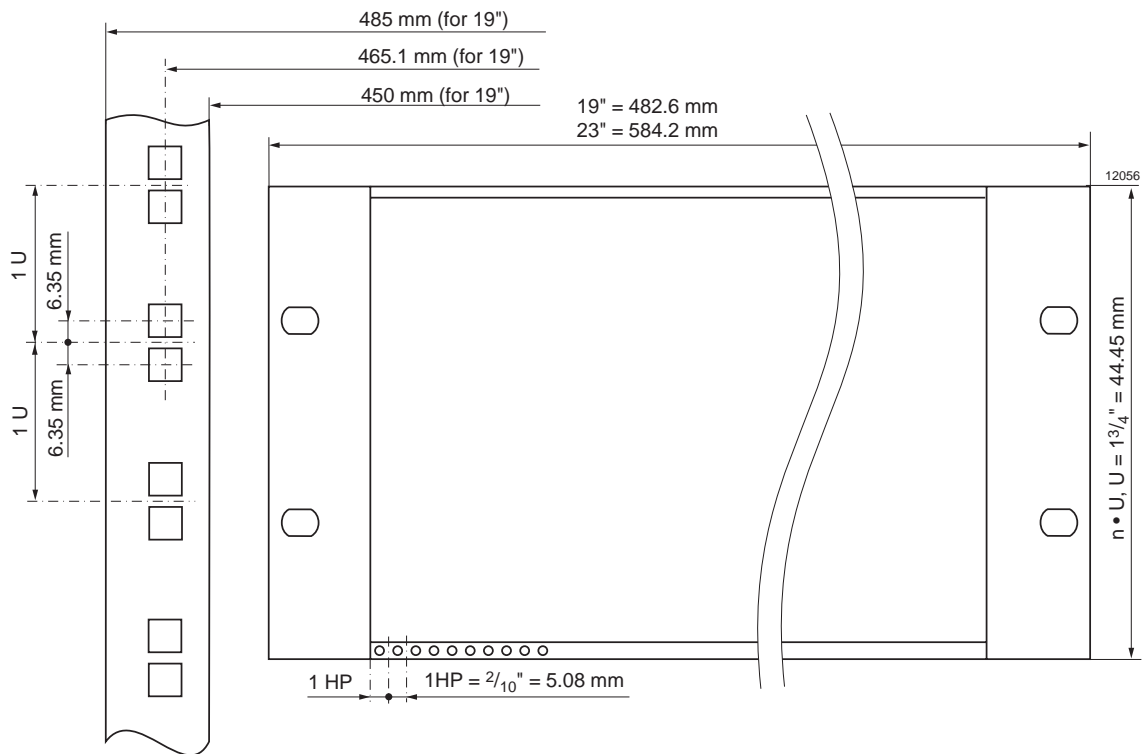


Fig. 1
19" and 23" rack systems

Dimensions in accordance to DIN 41494-1 (IEC 60297):

Width: 1 HP = 5.08 mm (0.20")

Height: 1 U = 44.45 mm (1.750")

(In Europa often *HE* instead of *U* is used as well as *TE* is used instead of *HP*.)

Tolerances ± 0.2 mm, unless otherwise specified

Front Panels

Description

Front panels are available for 19" rack mounting of 3 U cassette type power supplies in *Schroff* system version (*Intermas* on request) and may be attached to the converter by means of countersunk screws.

An assembly kit, consisting of a front panel and a support bracket, enables arrangement of two standard cassettes with up to six output voltages in 6 U configuration.

All front panels are of colourless anodised aluminium and delivered with one or two grey plastic handles of 3 TE for easy pull-out and two or four hand-press insertable plastic retainers with captive screws for fixing to the rack.

Note: Front panel mounting or custom specific front panels are available on request.

Dimensions in accordance to DIN 41494-1 (IEC 60297):

Width: 1 TE = 5.08 mm (0.20")

Height: 1 U = 44.45 mm (1.750")

(In Europa often *HE* instead of *U* is used.)

Tolerances ± 0.2 mm, unless otherwise specified



| Table of Contents | Page | Page | |
|------------------------------------------|------|----------------------------------------------|---|
| Description | 1 | <i>Intermas</i> System for 3 U Rack | 4 |
| <i>Schroff</i> System for 3 U Rack | 2 | <i>Schroff</i> System Kit for 6 U Rack | 5 |

Schroff System for 3 U Rack

Q-, PC-, P- Series Front Panels in 4, 5 or 6 TE

This front panel available in three versions fits to all DC-DC converters of the Q- and P-Families and to the AC-DC converters of the PC Series with case size Q.

Table 1: Q01 case front panel selection

| TE | X mm | Case size | Converter series | Type Part no. |
|----|------|-----------|------------------|---------------|
| 4 | 20.0 | Q01 | Q | G04-Q01 |
| | | Q03 | PC | |
| | | Q04 | P | G04-Q04 |
| 5 | 25.1 | Q01 | Q | G05-Q01 |
| | | Q03 | PC | |
| | | Q04 | P | G05-Q04 |
| 6 | 30.2 | Q01 | Q | G06-Q01 |
| | | Q03 | PC | |
| | | Q04 | P | G06-Q04 |

Note: For use of several units next to each other, we advise to pack them not too densely in order to assure good thermal management (see also relevant data sheet).

Delivery contents:

Front panel, grey plastic handle, three countersunk screws, set of two plastic retainers with captive screws and assembly instructions.

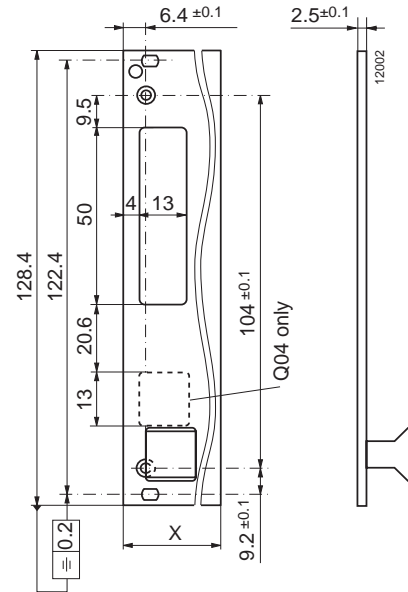


Fig. 1
Front panel for Q case size

H- and M Series Front Panel in 8 TE

This front panel fits to all 50 Watt DC-DC and AC-DC converters of the 12,...,LH Series with case size H02 as well as to all AM to LM- and CMZ to LMZ Series versions with case size M02.

Table 2: H02 and M02 case front panel selection

| TE | mm | Case size | Converter series | Type Part no. |
|----|------|-----------|------------------|---------------|
| 8 | 40.3 | M02 | M | G08-M02 |
| | | H02 | H | |

Delivery contents:

Front panel with grey plastic handle, two countersunk screws, set of two plastic retainers with captive screws and assembly instructions

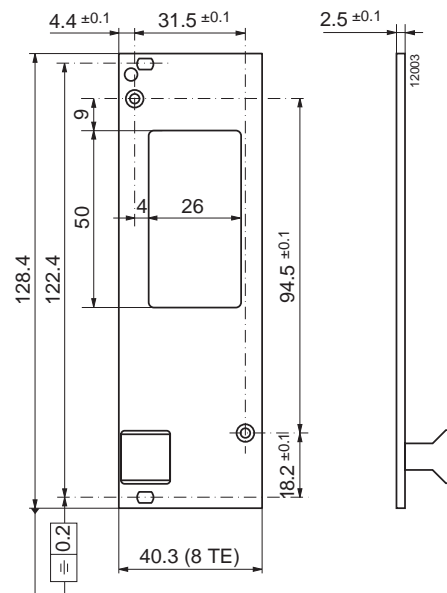


Fig. 2
Front panel for H02 and M02 case size

PSL Series Front Panel in 8 TE

This front panel fits to all Switching Regulators of the PSL Series with case size L04.

Table 3: L case front panel selection

| TE | mm | Case size | Converter family | Type Part no. |
|----|------|-----------|------------------|---------------|
| 8 | 40.3 | L04 | PSL ¹ | G08-L |

¹ Exception: PSL with option D is part no. G08-L04-D

Note: This front panel is a compatible replacement for all earlier versions of the same size, published in any previous front panel data sheet.

Delivery contents:

Front panel with grey plastic handle, two countersunk screws, set of two plastic retainers with captive screws and assembly instructions.

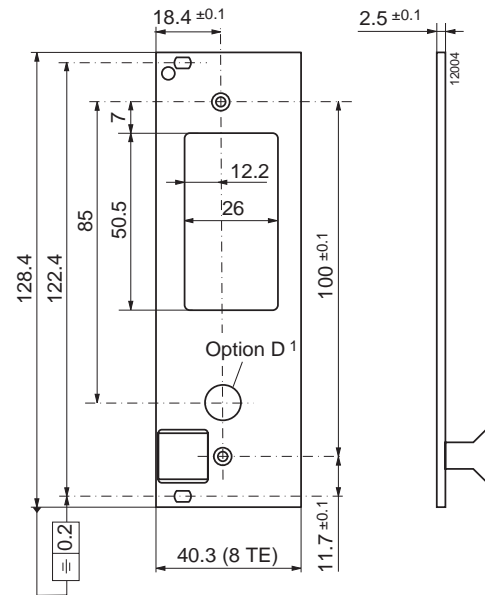


Fig. 3
Front panel for L01 and L04 case size

PSS and S Series Front Panels in 12 TE
PSK and K Series Front Panels in 16 TE

This front panel fits to all Switching Regulators of the PSS and PSK Series with case size S01 or K01 as well as to all 100 to 150 Watt DC-DC and AC-DC converters of the AS,...,LS and AK to LK Series with case size S02 or K02 according to the selection table below:

Table 4: S and K case front panel selection

| TE | X mm | Case size | Converter series | Type Part no. |
|----|------|-----------|------------------|---------------|
| 12 | 60.6 | S01 | PSS | G12-S |
| | | S02 | S | |
| 16 | 81.0 | K01 | PSK | G16-K |
| | | K02 | K | |

Delivery contents:

Front panel with grey plastic handle, two countersunk screws, set of four plastic retainers with captive screws and assembly instructions.

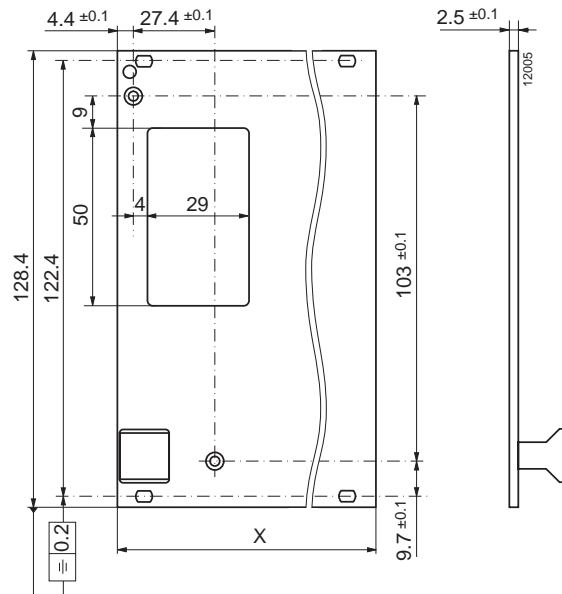


Fig. 4
Front panel for S01, S02, K01 and K02 case size

T Series Front Panel in 28 and 26 TE

This front panel fits to all 500 Watt AC-DC converters of the T Series with case size T01.

Table 5: T case front panel selection

| TE | X | Case size | Series | Type Part no. |
|----|-------|-----------|--------|---------------|
| | mm | | | |
| 28 | 141.9 | T01 | T | G28-T01 |

Delivery contents:

Front panel with two grey plastic handles, three countersunk screws, set of four plastic or metal retainers with captive screws and assembly instructions.

G28-T01 met with metal screw retainers

G28-T01 plas with plastic screw retainers

Blind plates: to close a non fully equipped 19" rack (only one or two LTs mounted). Power-One offers 28 TE wide blind plates without hole.

G28-T01-blank met, with metal screw retainers

G28-T01-blank plas, with plastic screw retainers

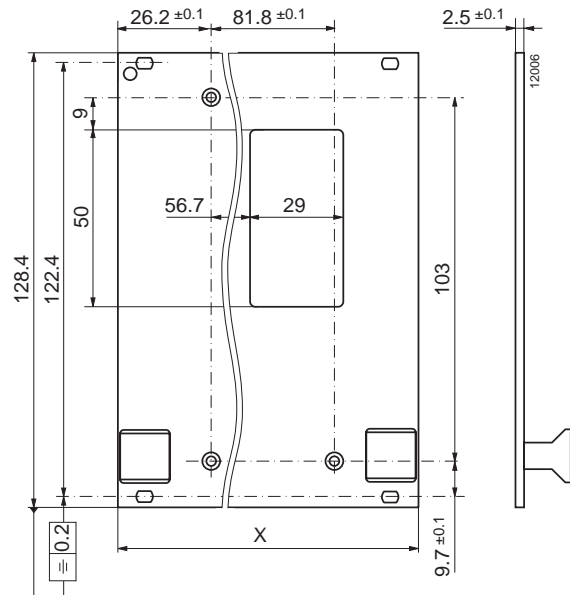


Fig. 5
Front panel for T01 case size

Intermas System for 3 U Rack

The major differences between the Interma and the Schroff system front panels are the thickness (2 mm instead of 2.5 mm), the hole size for the plastic retainers and a small cut-out on each side (see figure: *Intermas system front panel*). All other dimensions are given in the relevant Schroff front panel drawings.

The following Interma front panels are available on request:

Table 6: Interma front panel selection

| TE | X | Case size | Converter series | Type Part no. |
|----|------|-----------|------------------|---------------|
| | mm | | | |
| 8 | 40.3 | H02 | H | F08-M02 |
| | | M02 | M | |
| 8 | 40.3 | L01 | PSL ¹ | F08-L |
| 12 | 60.6 | S01 | PSS | F12-S |
| | | S02 | S | |
| 16 | 81.0 | K01 | PSK | F16-K |
| | | K02 | K | |

¹ Exception: PSL with option D is type/part no. F08-L04-D

Delivery contents:

Front panel with grey plastic handle, two countersunk screws and assembly instructions.

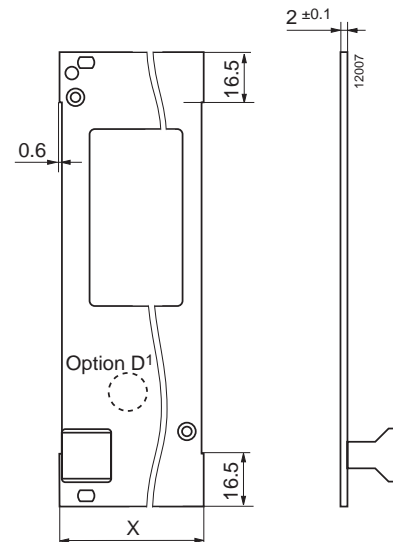


Fig. 6
Interma system front panel (various case sizes)

Schroff System Kit for 6 U Rack

To configure Power-One Power Supplies for use in 6 U racks a special assembly kit has been created consisting of a double height front panel together with a support bracket for two converters as shown in figure 7.

All other dimensions are given in the relevant 3 U front panel drawings according to their case size. The assembly kit is available with the type designation according to the following table:

Table 7: 6 U assembly kit selection

| TE | X mm | Case size | Converter series | Type Part no. |
|----|---------|--------------|---------------------|------------------|
| 5 | 25.1 | Q01 | Q | Kit G05-6HE-Q01 |
| | | Q03 | PC | |
| 8 | 40.3 | H02 | H | Kit G08-6HE-M02 |
| | | M02 | M | |
| 12 | 60.6 | S01 | PSS | Kit G12-6HE-S |
| | | S02 | S | |
| 16 | 81.0 | K01 | PSK | Kit G16-6HE-K |
| | | K02 | K | |

Delivery contents:

Double height front panel with two grey plastic handles, four countersunk screws, set of two plastic retainers with captive screws, a support bracket and assembly instructions.

Fig. 7
Front panel for 6 U configuration (various case sizes)

