

# M3T-SSOP42B-450

Direct Dummy IC for 42-pin 0.8mm-pitch SSOP

## Function

This accessory tool connects the probe of an emulation pod and the target, or an MCU and the target. Its dimensions are the same as those of the MCU for the 42-pin 0.8mm-pitch SSOP (42P2R-A) package.

It consists of parts (1) to (3) shown in the diagram below.

## Attaching Procedure

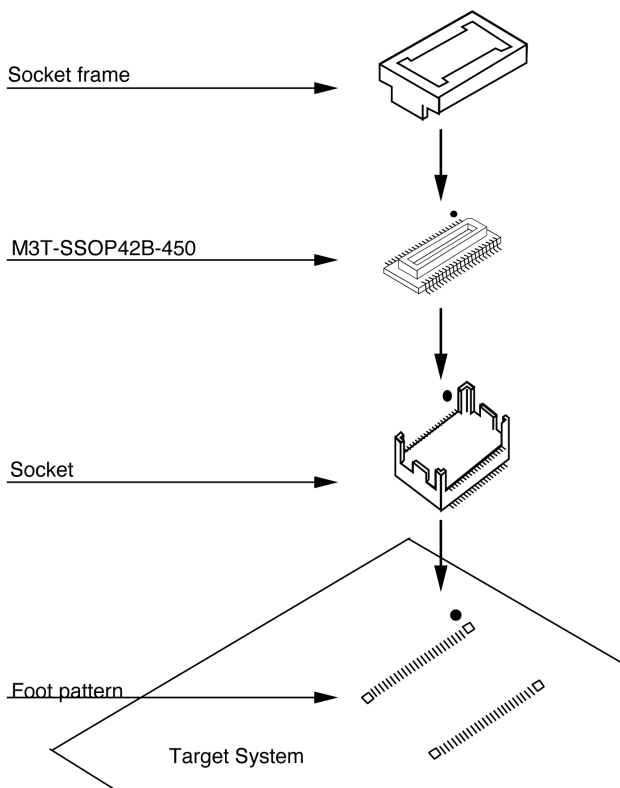
This converter can be used during debugging and board-mounted evaluation in common.

### When debugging

- (1) Mount a socket on the foot pattern on the target.
- (2) On top of it, mount the M3T-SSOP42B-450 and a socket frame in that order.
- (3) Then connect the probe of the emulation pod, etc. to the connector provided at the top of the M3T-SSOP42B-450.

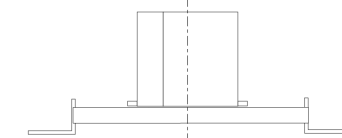
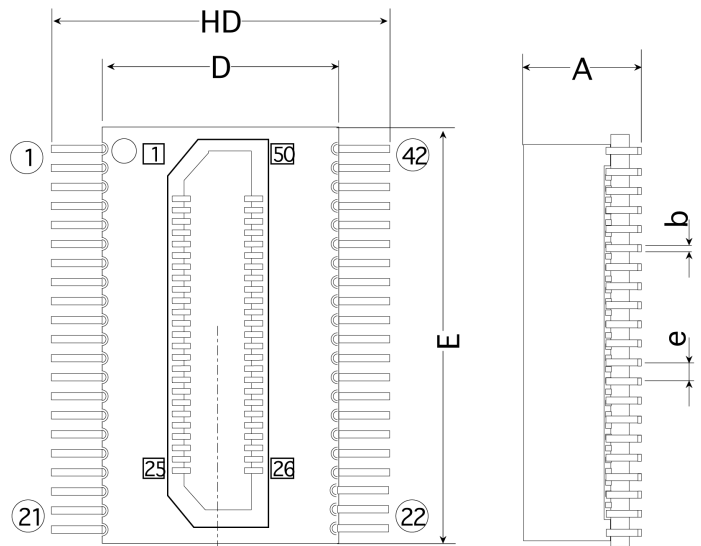
### During board-mounted evaluation

Mount an MCU and a socket frame on a socket on the target in that order.



\* ● : Position of No. 1 pin

## Dimensions



denotes pin numbers on the M3T-SSOP42B-450.

1 denotes pin numbers of the top of a connector.

Symbol	Term	Dimensions [mm]
A	Fitting height	4.2
b	Pin width	0.3
D	Package length	8.4
E	Package width	17.5
e	Interval in row of pins	0.8
HD	Overall length	12.4

## Foot Pattern Reference Dimensions

See Appendix D "Reference Dimensional Drawings for SSOP Package Foot Pattern Made by Matsushita Electric Works, Ltd."

[Ordering Information] See Appendix H "Ordering Information".