

Dial Indicating Pressure Gauges

Brass Case Liquid Filled



300 SERIES

- High quality liquid filled gauges designed for durability, accuracy and long life
- Pressure ranges from vacuum through 15,000 psi
- 2-1/2 and 4 inch sizes – bottom or back connected
- Heavy one-piece die casting integrates the case, connection, movement and bourdon tube support into a solid unit to eliminate leakage
- Glycerine fill greatly reduces effects of vibration, pulsation and shock
- Dials are printed with bold UV resistant ink for ease of readability even after years of exposure to direct sunlight
- Stock availability

OPERATING SPECIFICATIONS

1. Working Pressure Limitations

a. Dynamic Pressure

The working pressure should be limited to 60% of the dial range for long service life.

b. Static Pressure

The working pressure, where no sharp fluctuations occur, should be limited to 90% of the dial range

2. Ambient Temperature

0°F to 160°F (-18°C to 71°C)

Please contact us for assistance in selecting the best fill for your application.

3. Media Temperature

-4°F to 140°F (-20°C to 60°C)

Optional temperature ratings available from -40°F to 212°F (-40°C to 100°C)

APPLICATIONS

- Used in demanding applications that are not corrosive to brass, where vibration and pulsation are present

ACCURACY

- 2-1/2 Inch 300 Series Gauges: ±1.5%
- 4 Inch 300 Series Gauges: ±1.0%

For details on accuracy/standard dial configuration and dial layouts, see pages 74-78

| | MODELS | SPECIFICATIONS |
|-------------------|--|--|
| Case | 25-300, 25-310, 40-300, 40-310 | Die cast brass – Natural brass finish |
| Cover Ring | 25-300, 25-310, 40-300, 40-310 | Polished brass |
| Lens | 25-300, 25-310, 40-300, 40-310 | Molded Plexiglass™ with O-Ring seal |
| Bourdon Tube | 25-300, 25-310, 40-300, 40-310 (up to 600 psi) | Phosphor bronze "C" tube |
| | 25-300, 25-310, 40-300, 40-310 (greater than 600 psi) | Coiled safety tube |
| Connection | 25-300, 25-310 | 1/4" NPT die cast with the case. 7/16" – 20 SAE adjustable type straight thread with Viton O-Ring is also available as a stock option on many ranges (-4 SAE). |
| | 40-300, 40-310 | 1/4" NPT die cast with the case. 1/2" NPT is available on certain 40-300 ranges as a stock option, and on all other 40-300 and 40-310's as a non-stock option. |
| Movement | 25-300, 25-310, 40-300, 40-310 | Brass and Nickel-Silver with highly polished bearing surfaces |
| Safety Protection | 25-300, 25-310, 40-300, 40-310 | Safety relief disc on the top of the case |
| Accuracy | 25-300, 25-310 | ± 1.5% Full Scale ASME grade A |
| | 40-300, 40-310 | ± 1% Full Scale ASME grade 1A |
| Pointer | 25-300, 25-310, 40-300, 40-310 | Balanced aluminum, black finish |
| Dial | 25-300, 25-310, 40-300, 40-310 | Aluminum, white background with black markings. Single scale psi is standard. psi/bar, psi/kPa, or psi/Kg/cm ² dual scale are available as stock options. On dual scale dials, the outer scale is psi in black and the inner metric scale is red. UV resistant. |
| Fill Liquid | 25-300, 25-310, 40-300, 40-310 | Glycerine and water |

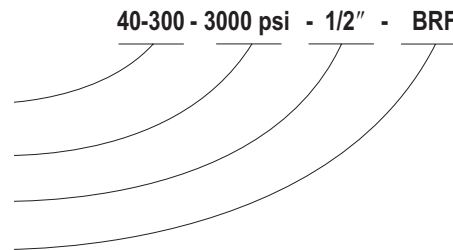
| ORDERING INFORMATION | | | | | | | |
|------------------------|--|--|--|--|--|--|--|
| SERIES | 300 | | | | | | |
| SIZE | 25 2-1/2 Inch | 40 4 Inch | | | | | |
| CASE TYPE | 300 Brass, Bottom Connection | 310 Brass, Back Connection | | | | | |
| PRESSURE RANGES | 30 " Vac -30 inHg to 0 | 30/300 -30 inHg to 0 to 300 psi | 300 0 psi to 300 psi | 3000 0 psi to 3000 psi | | | |
| | 30/15 -30 inHg to 0 to 15 psi | 15 0 psi to 15 psi | 400 0 psi to 400 psi | 5000 0 psi to 5000 psi | | | |
| | 30/30 -30 inHg to 0 to 30 psi | 30 0 psi to 30 psi | 600 0 psi to 600 psi | 6000 0 psi to 6000 psi | | | |
| | 30/60 -30 inHg to 0 to 60 psi | 60 0 psi to 60 psi | 800 0 psi to 800 psi | 7500 0 psi to 7500 psi | | | |
| | 30/100 -30 inHg to 0 to 100 psi | 100 0 psi to 100 psi | 1000 0 psi to 1000 psi | 10000 0 psi to 10000 psi | | | |
| | 30/160 -30 inHg to 0 to 160 psi | 160 0 psi to 160 psi | 1500 0 psi to 1500 psi | 15000 0 psi to 15000 psi | | | |
| | 30/200 -30 inHg to 0 to 200 psi | 200 0 psi to 200 psi | 2000 0 psi to 2000 psi | | | | |
| SCALE OPTION | psi psi single scale | psi/kPa psi/kPa dual scale | psi/kg/cm² psi/kg/cm ² dual scale | psi/bar psi/bar dual scale | | | |
| CONNECTION SIZE | 1/4 1/4" NPT | 1/2 1/2" NPT | SST 7/16-20 Adjustable | | | | |
| OPTIONS | CFF Chrome front flange | CCR Chrome cover ring | SGO Safety Glass overlay | BT3 Brass threaded orifice 0.3 mm | | | |
| | BFF Brass front flange | CB-U Chrome bezel & u-clamp | AR Adapter ring | BT4 Brass threaded orifice 0.4 mm | | | |
| | BLFF Black front flange | MIP Maximum indicating pointer | LM Laser marking | BT8 Brass threaded orifice 0.8 mm | | | |
| | SSRF 304SS rear flange | LL Lexan lens | ST Stainless steel tagging | 7/16-20 Straight thread available | | | |
| | BRF Brass rear flange | GLO Glass lens overlay | | | | | |

Please consult your local NOSHOK Distributor or NOSHOK, Inc. for availability and delivery information.

NOTE: Refer to 300 Series Options & Accessories chart on page 65 for availability by model number.

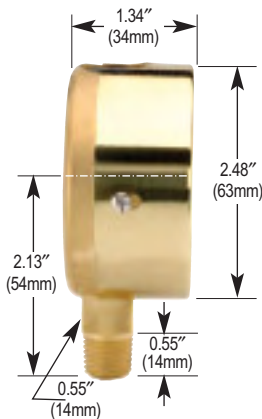
EXAMPLE

1. Select model number (size & case type)
2. Select pressure range & scale option
3. Select connection size (if more than one is offered)
4. Select any required accessory or option

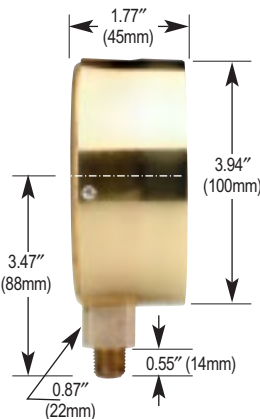


OUTLINE DIMENSIONS

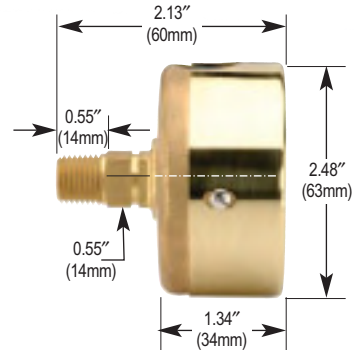
25-300



40-300



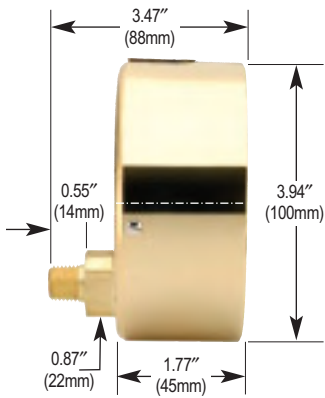
25-310



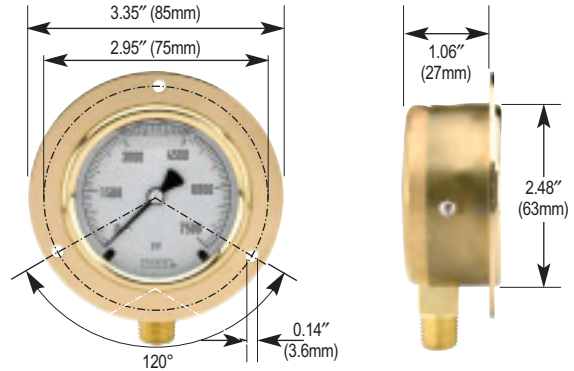
Dial Indicating Pressure Gauges

Dimensions

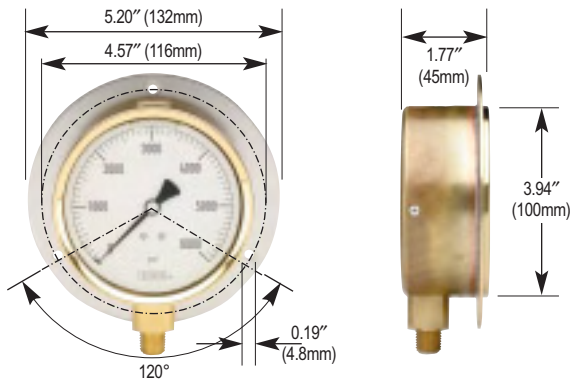
40-310



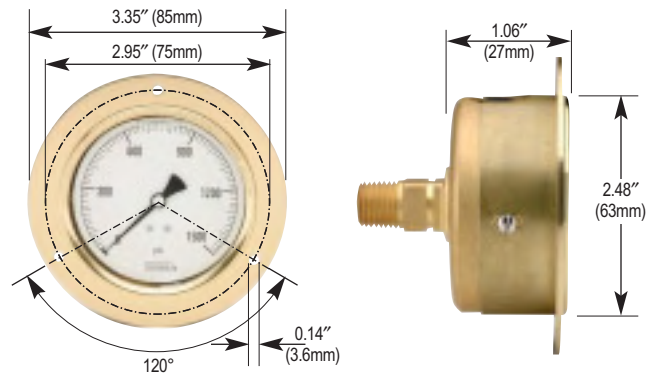
25-300 Front Flange



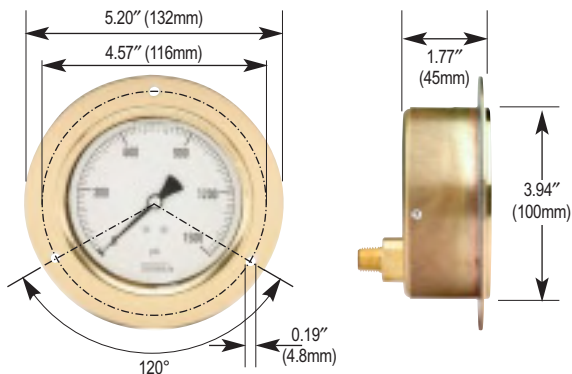
40-300 Front Flange



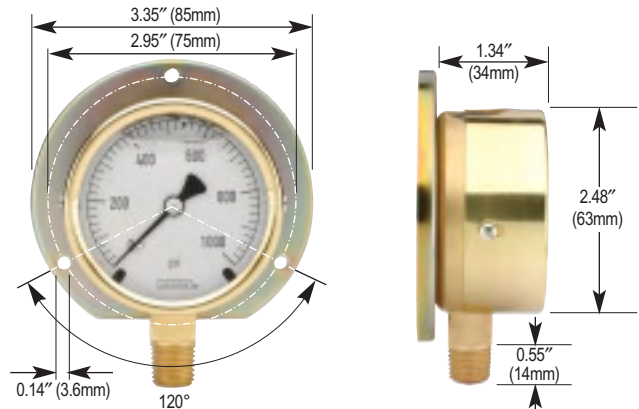
25-310 Front Flange



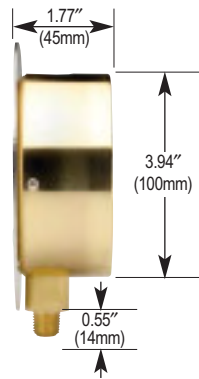
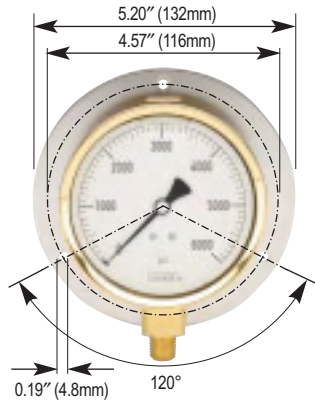
40-310 Front Flange



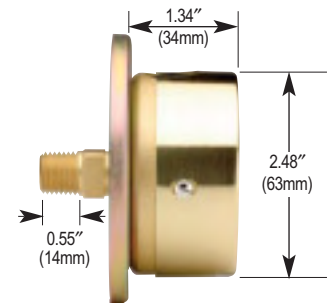
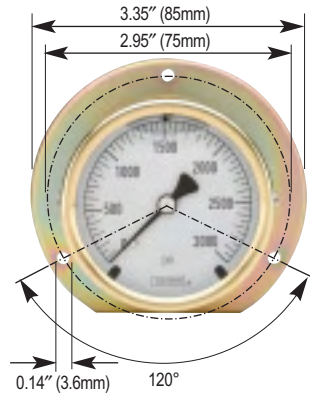
25-300 Rear Flange



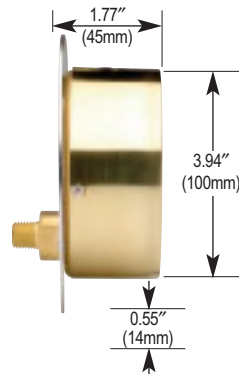
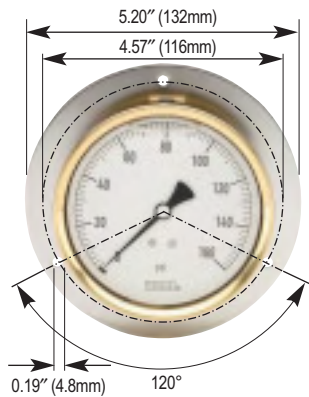
40-300 Rear Flange



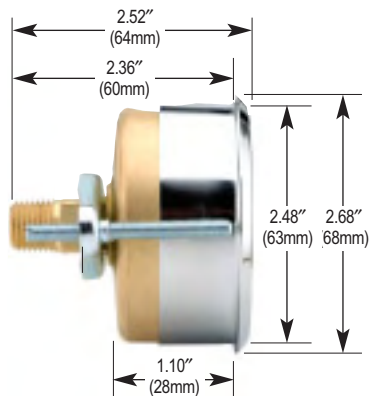
25-310 Rear Flange



40-310 Rear Flange



25-310 Chrome Triangular Bezel with U-Clamp



40-310 Chrome Triangular Bezel with U-Clamp

