





Copyright FCI



FCIconnect.com



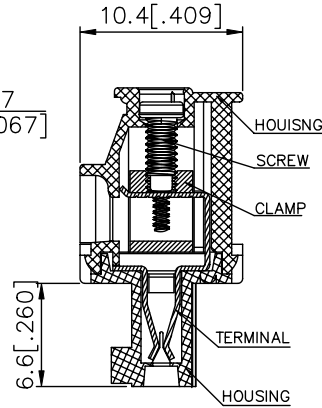
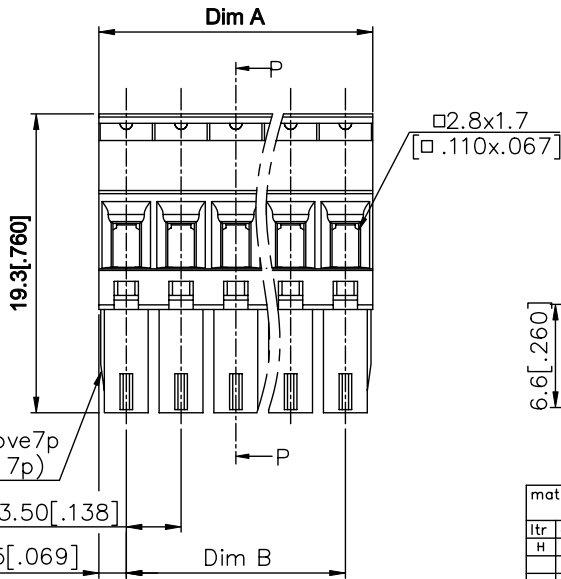
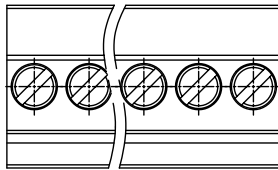
3



4

1 | 2

PRODUCT NUMBER	SERIES NAME	PITCH
20020008-CXXXXXL	02-350	3.50 mm



N= NUMBER OF POLES  
DIMENSION

Dim A	$N \times 3.5 [.138]$
Dim B	$(N-1) \times 3.5 [.138]$

Poles	Tolerance
2P-6P	$\pm 0.15 [.006]$
7P-12P	$\pm 0.20 [.008]$
13P-18P	$\pm 0.25 [.010]$
19P-24P	$\pm 0.30 [.012]$

mat'l. code	surface ASME Y14.5	tolerance ASME Y14.5	projection	product family
ltr	ecn	no	dr	date
H				
tolerances unless otherwise specified				title
angles	X	$\pm 0.5 [.020]$	MM	TERMINAL BLOCK
	E	$X.X \pm 0.3 [.012]$	[INCH]	PLUGABLE, PLUG, SIGNAL, ENTRYSIDE HOOK
	X $\pm 1^\circ$	$X.XX \pm 0.1 [.004]$	scale	dwg no
dr	BEER FU	062509		sheet 2 of 5 size
enr	BEER FU	062509		20020008
chr	GARY HSIEH	062509		A4
appd	JOSEPH HSIA	062509		type
sheet index	revision sheet			CUSTOMER Drawing

form: A4mmXLc

1

2

PDS: Rev :H 3

STATUS:Released

Printed: Aug 02 2011



Copyright FCI



FCIconnect.com

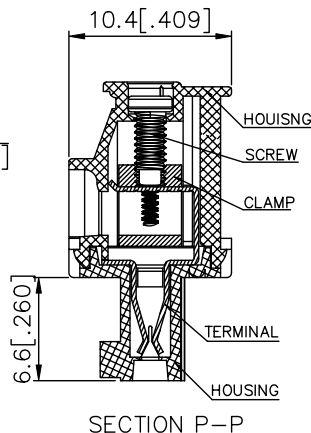
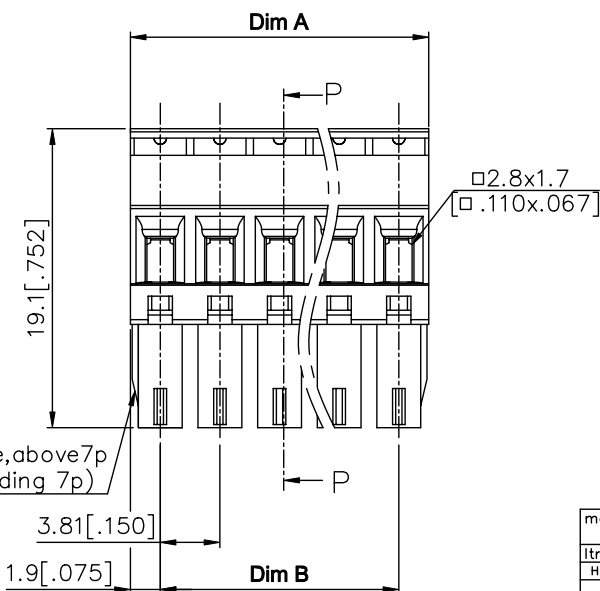
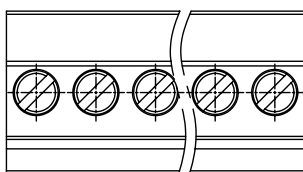


1 | 2

3

4

PRODUCT NUMBER	SERIES NAME	PITCH
20020008-DXXXXXLF	02-381	3.81 mm



N= NUMBER OF POLES  
DIMENSION

Dim A	N*3.81 [.150]
Bim B	(N-1)*3.81 [.150]

Poles	Tolerance
2P-6P	±0.15 [.006]
7P-12P	±0.20 [.008]
13P-18P	±0.25 [.010]
19P-24P	±0.30 [.012]

mat'l. code	surface ASME Y14.5	tolerance ASME Y14.5	projection	product family	TERMINAL BLOCK
ltr	ecn	no	dr	date	title
H					TERMINAL BLOCK PLUGABLE, PLUG, SIGNAL, ENTRYSIDE HOOK
					angles
					tolerances unless otherwise specified
					MM
					[INCH]
					scale
					dr
					BEER FU 062509
					enrg
					BEER FU 062509
					chr
					GARY HSIEH 062509
					appd
					JOSEPH HSIA 062509
sheet index	revision	sheet			



form: A4mmXLc

1

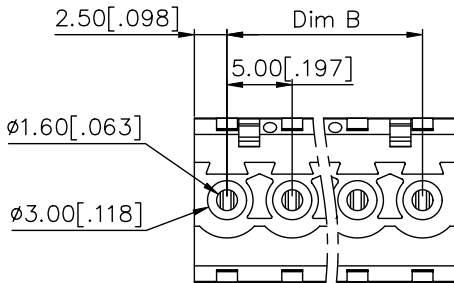
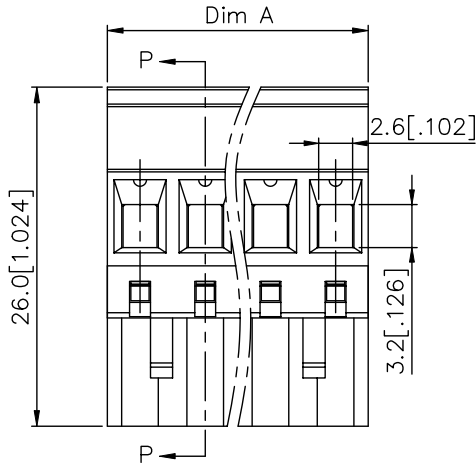
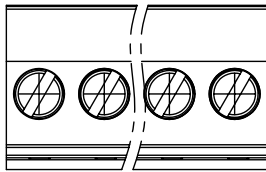
2

PDS: Rev :H 3

STATUS:Released

Printed: Aug 02 2011

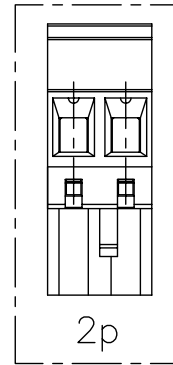
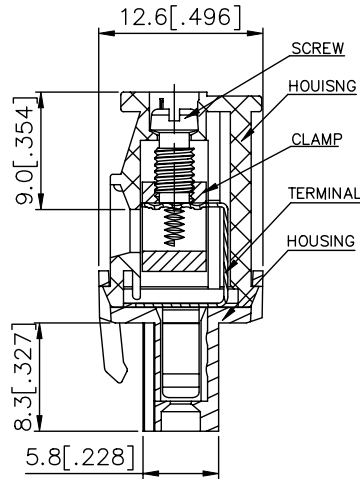
PRODUCT NUMBER	SERIES NAME	PITCH
20020008-GXXXXXL	02-500	5.00 mm



N= NUMBER OF POLES  
DIMENSION

Dim A	$N \times 5.0 [.197]$
Dim B	$(N-1) \times 5.0 [.197]$

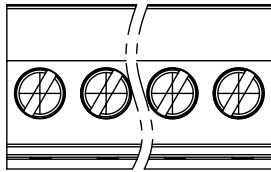
Poles	Tolerance
2P-6P	$\pm 0.15 [.006]$
7P-12P	$\pm 0.25 [.010]$
13P-18P	$\pm 0.30 [.012]$
19P-24P	$\pm 0.40 [.016]$



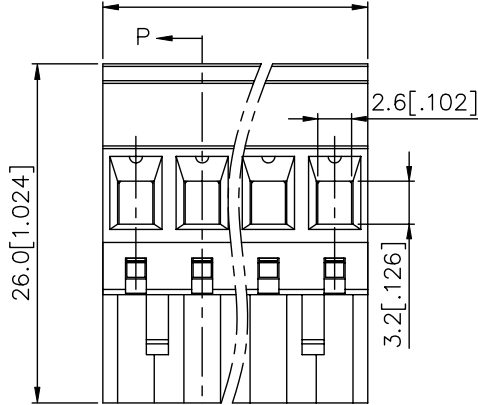
SECTION P-P

mat'l. code	surface ASME Y14.5	tolerance ASME Y14.5	projection	product family
ltr	ecn	no	dr	date
H				
tolerances unless otherwise specified				title
angles	mm	[INCH]	scale	TERMINAL BLOCK
X ± 1°	X ± 0.5 [020]	X ± 0.3 [012]	X.XX ± 0.1 [004]	TERMINAL BLOCK PLUGABLE, PLUG, SIGNAL, ENTRYSIDE HOOK
dr	BEER FU	062509		dwg no
enr	BEER FU	062509		sheet 4 of 5 size
chr	GARY HSIEH	062509		20020008
appd	JOSEPH HSIA	062509		A4
sheet index	revision sheet			type
				CUSTOMER Drawing

PRODUCT NUMBER	SERIES NAME	PITCH
20020008-HXXXXXLFL	02-508	5.08 mm

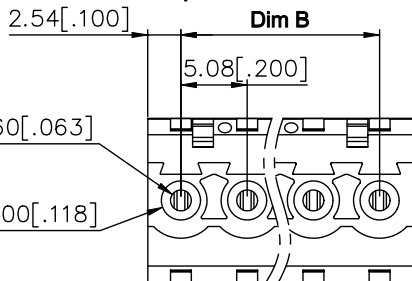


Dim A



P

Dim B



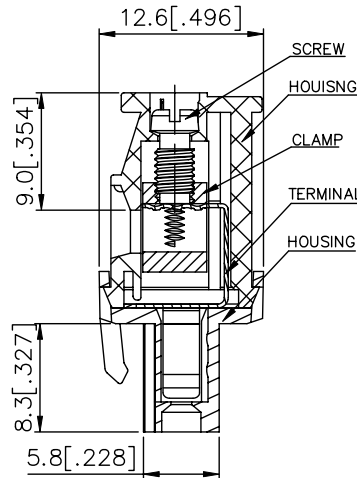
1.60 [.063]

3.00 [.118]

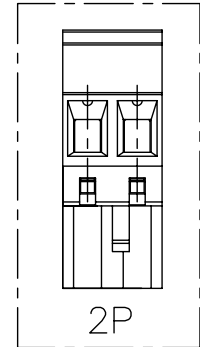
N= NUMBER OF POLES  
DIMENSION

Dim A	$N \times 5.08 [ .200 ]$
Dim B	$(N-1) \times 5.08 [ .200 ]$

Poles	Tolerance
2P-6P	$\pm 0.15 [ .006 ]$
7P-12P	$\pm 0.25 [ .010 ]$
13P-18P	$\pm 0.30 [ .012 ]$
19P-24P	$\pm 0.40 [ .016 ]$



SECTION P-P



2P

mat'l. code	surface ASME Y14.5	tolerance ASME Y14.5	projection	product family	
ltr	ecn	no	dr	date	
H					
tolerances unless otherwise specified				title	
angles	mm	inches	scale	TERMINAL BLOCK	
X ± 1	X.X ± 0.5 [ .020 ]	X.X ± 0.3 [ .012 ]		PLUGABLE, PLUG, SIGNAL, ENTRYSIDE HOOK	
	X.XX ± 0.1 [ .004 ]			dwg no	
dr	BEER FU	062509		sheet 5 of 5 size	
enr	BEER FU	062509		20020008	A4
chr	GARY HSIEH	062509		type	CUSTOMER Drawing
appd	JOSEPH HSIA	062509			
sheet index	revision sheet				