

NFS40 Series

Cover accessory kit

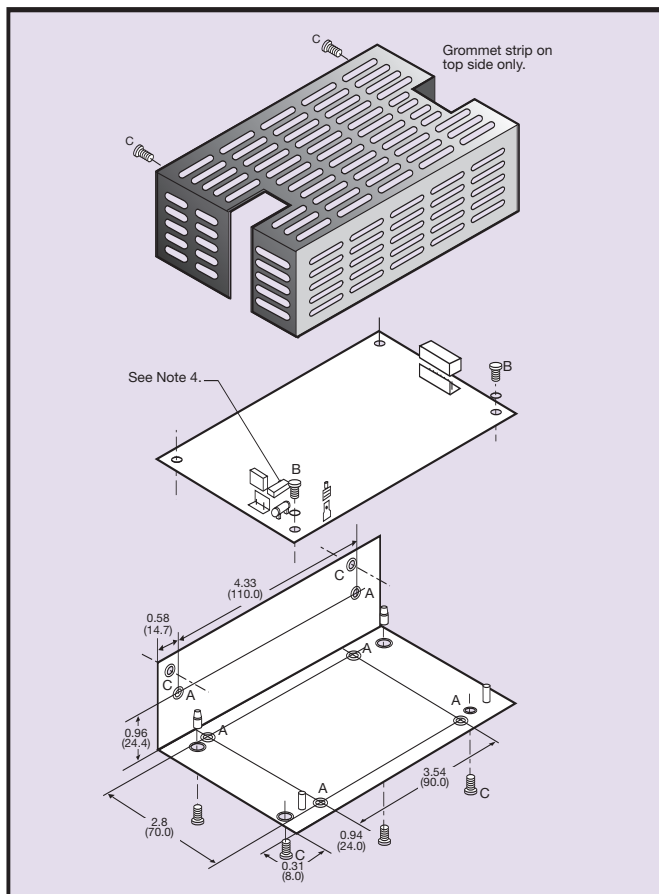
- NFS40 cover
- Assembly instructions
- Mounting screws
- Available RoHS compliant



The 'NFS40CJ' is manufactured in Asia with imperial screw threads and the kit includes assembly screws and installation instructions.

2 YEAR WARRANTY

Mechanical Specifications



MODEL NUMBER: NFS40CJ

Notes

- 1 Before assembly, ensure unit has been turned off for at least 10 minutes.
- 2 Cover cable exit area with grommet strip provided.
- 3 Maximum screw penetration into customer mounting holes is 3mm.
- 4 Cover fuse with fuse cover provided.
- 5 "A" denotes customer M3 mounting holes.
- 6 "B" denotes PCB fixing screws.
- 7 "C" denotes case assembly points and screws.
- 8 Bracket outside dim. 5.49" x 3.43" x 1.88" (139.5 x 87.2 x 47.9mm)
- 9 Cover outside dim. 5.49" x 3.38" x 1.82" (139.5 x 85.8 x 46.3mm)
- 10 The 'J' at the end of the part number indicates that these parts are Pb-free (RoHS 6/6) compliant. TSE RoHS 5/6 (non Pb-free) compliant versions may be available on special request, please contact your local sales representative for details.

Note: When a cover or other sheetmetal option is added, it is the user's responsibility to ensure that the requirements of the relevant safety agency, or agencies, are satisfied.

Datasheet © Artesyn Technologies® 2006

The information and specifications contained in this datasheet are believed to be correct at time of publication. However, Artesyn Technologies accepts no responsibility for consequences arising from printing errors or inaccuracies. Specifications are subject to change without notice. No rights under any patent accompany the sale of any such product(s) or information contained herein.