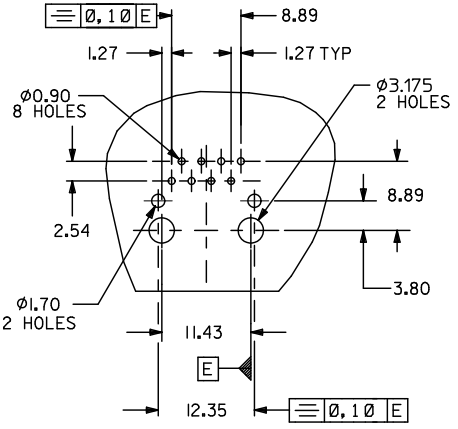
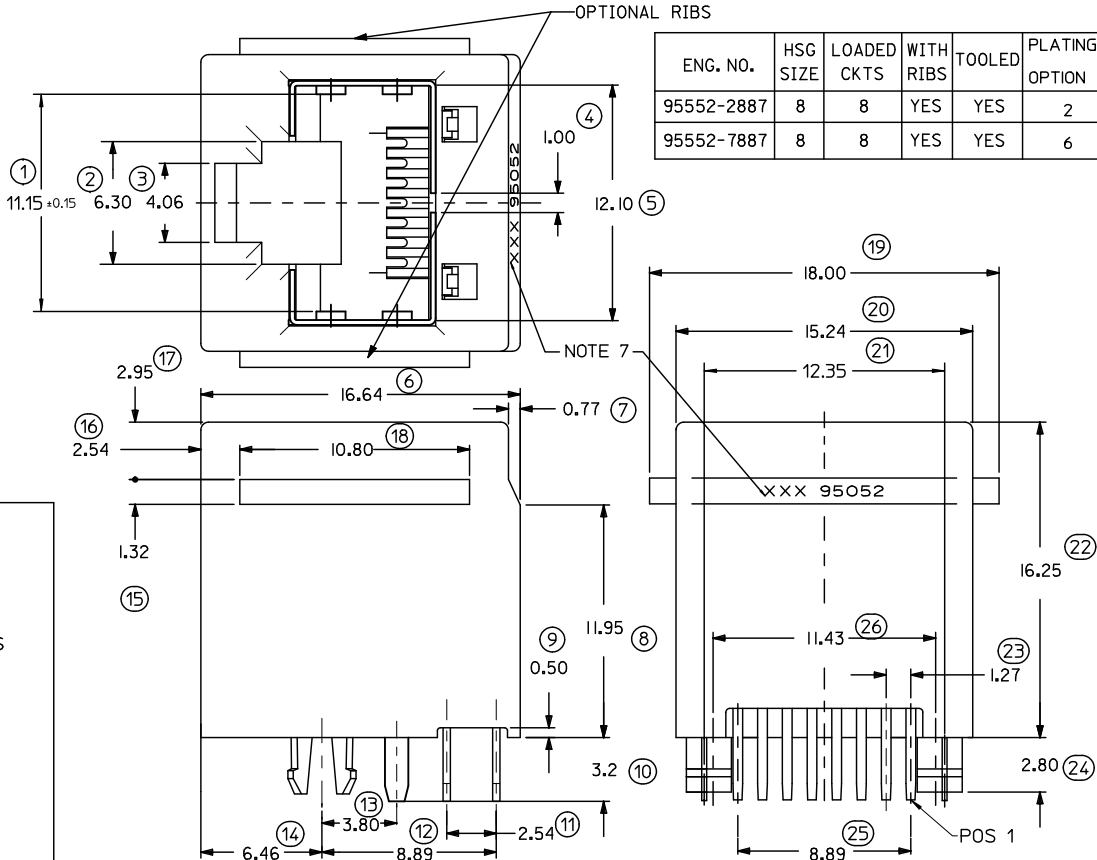


NOTES:

- 1- MATERIAL: HOUSING: LCP GLASS FILLED UL94-V0
COLOUR: BLACK
TERMINAL: BRASS
PLATING TYPE 2: PLATED WITH 0.00127 MIN GOLD
IN CONTACT AREA, 0.00190 MIN PURE TIN
IN TAIL AREA BOTH OVER 0.00127 MIN NICKEL OVERALL
- TYPE 6: POST PLATE 0.00005 MIN GOLD FLASH OVER
0.00100 MIN PALLADIUM-NICKEL IN CONTACT AREA,
0.00190 MIN PURE TIN IN TAIL AREA, BOTH OVER
0.00127 MIN NICKEL OVERALL
- SHIELD: BRASS PLATED WITH 0.0020 MIN TIN
- 2- JACK FOR MATING WITH F.C.C. 68 TYPE PLUG
MOLEX 95043 SERIES
- 3- P.C.BOARD THICKNESS: 1.57
- 4- PRODUCT SPECIFICATION: PS-95540-002
- 5- APPLICATION SPECIFICATION: AS-85513-001
- 6- PACKAGING SPECIFICATION: PK-95022
- 7- MANUFACTURING I.D. CAN BE EITHER MG, MXF OR MXL
- 8- LAST INSPECTION NUMBER 26



ADDED PART OPTION E.C. NO: E2012-0079 DRAWN BY: DBYRNES 2011/09/14 CHYK: APPR:EFOLAN 2011/09/28	QUALITY SYMBOLS	GENERAL TOLERANCES (UNLESS SPECIFIED)	DIMENSION STYLE	SCALE	DESIGN UNITS	THIRD ANGLE PROJECTION
	▽=0 ▽=0	mm INCH 4 PLACES ± --- ± --- 3 PLACES ± --- ± .010 2 PLACES ± 0.25 ± .014 1 PLACE ± 0.35 ± --- ANGULAR ± 2 °	MM/IN	1:1	METRIC	TITLE: TOP ENTRY SHIELDED JACK W.E. TYPE MOLEX INCORPORATED
	DRAFT WHERE APPLICABLE MUST REMAIN WITHIN DIMENSIONS	DRAWN BY: DBYRNES 2007/02/28 CHECKED BY: EOMAHONY 2007/02/28 APPROVED BY: JB 2007/02/28	MATERIAL NO. SEE CHART DOCUMENT NO. SD-95552-001	SHEET NO. 1 OF 1		
	THIS DRAWING CONTAINS INFORMATION THAT IS PROPRIETARY TO MOLEX INCORPORATED AND SHOULD NOT BE USED WITHOUT WRITTEN PERMISSION					