

NOTES:

1.0 PINS WITHOUT ELECTRICAL CONNECTION ARE OMITTED.



ELECTRICAL SPECIFICATIONS:

- | | | | |
|-----|---------------------------|------------------------------|---|
| 1.0 | URNS RATIO: | (P3-P2) : (J2-J1) | : 1CT : 1CT ±3% |
| | | (P5-P4) : (J6-J3) | : 1CT : 1CT ±3% |
| | | (P7-P6) : (J5-J4) | : 1CT : 1CT ±3% |
| | | (P9-P8) : (J8-J7) | : 1CT : 1CT ±3% |
| 2.0 | INDUCTANCE: | (P3-P2) ; (P5-P4) | : 350 uH MIN. @ 0.01V, 100KHz, 8 mA DC BIAS |
| | | (P7-P6) ; (P9-P8) | : 350 uH MIN. @ 0.01V, 100KHz, 8 mA DC BIAS |
| 3.0 | LEAKAGE INDUCTANCE: | P3-P2 (WITH J2 AND J1 SHORT) | : 0.3uH MAX. @ 1MHz |
| | | P5-P4 (WITH J6 AND J3 SHORT) | : 0.3uH MAX. @ 1MHz |
| | | P7-P6 (WITH J5 AND J4 SHORT) | : 0.3uH MAX. @ 1MHz |
| | | P9-P8 (WITH J8 AND J7 SHORT) | : 0.3uH MAX. @ 1MHz |
| 4.0 | INTERWINDING CAPACITANCE: | (P3-P2) : (J2-J1) | : 85pf MAX @ 1MHz |
| | | (P5-P4) : (J6-J3) | : 85pf MAX @ 1MHz |
| | | (P7-P6) : (J5-J4) | : 85pf MAX @ 1MHz |
| | | (P9-P8) : (J8-J7) | : 85pf MAX @ 1MHz |
| 5.0 | DC RESISTANCE: | (J6-J3) ; (J2-J1) ; 1 | : 1.2 ohms Max. |

Bel Stewart Connector 11118 Susquehanna Trail, South Glen Rock, Pa 17327-9199 717.234.7512		
http://www.stewartconnector.com		
SHEET 1 OF 4	DRAWING NO. SI-61001-F	REV. 04

THIS DRAWING AND THE SUBJECT MATTER SHOWN THEREON ARE CONFIDENTIAL AND PROPERTY OF BEL STEWART CONNECTOR AND SHALL NOT BE REPRODUCED, COPIED, OR USED IN ANY MANNER WITHOUT PRIOR WRITTEN CONTENT OF BEL STEWART CONNECTOR. THE SUBJECT MATTER MAY BE PATENTED OR A PATENT MAY BE PENDING.

6.0 RETURN LOSS: 1MHz TO 30MHz	:	18dB MIN.
30MHz TO 80MHz	:	$12-20 \text{ LOG } \left(\frac{F}{80\text{MHz}} \right)$
7.0 DIELECTRIC WITHSTAND: (J1,J2) TO (P2,P3) ; (J5,J4) TO (P6-P5)	:	1500 VAC
(J3,J6) TO (P7,P4) ; (J8,J7) TO (P9, P8)	:	1500 VAC
8.0 INSERTION LOSS: RS=RL=100 ohms	:	
100KHz TO 100MHz	:	1.1 dB MAX
9.0 RISE TIME: RS=100 OHMS AND RL = 100 OHMS	:	
OUTPUT VOLTAGE = 1 V peak	:	3.0 nS MAX
PULSE WIDTH= 112nS	:	3.0 nS MAX
10.0 CROSS TALK: 1-60 MHz	:	35 dB MIN
60-100 MHz	:	25 dB MIN
11.0 COMMON TO COMMON MODE ATTENUATION: 1MHz TO 100MHz	:	35dB TYP

Bel Stewart Connector
11118 Susquehanna Trail, South
Glen Rock, Pa 17327-9199
717.234.7512

MagJack®

<http://www.stewartconnector.com>

THIS DRAWING AND THE SUBJECT MATTER SHOWN THEREON ARE CONFIDENTIAL AND PROPERTY OF BEL STEWART CONNECTOR AND SHALL NOT BE REPRODUCED, COPIED, OR USED IN ANY MANNER WITHOUT PRIOR WRITTEN CONTENT OF BEL STEWART CONNECTOR. THE SUBJECT MATTER MAY BE PATENTED OR A PATENT MAY BE PENDING.

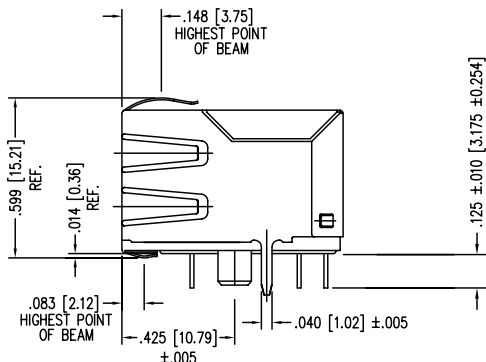
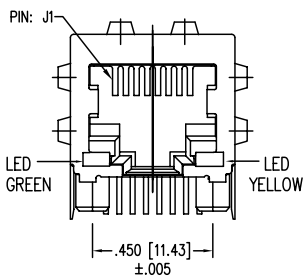
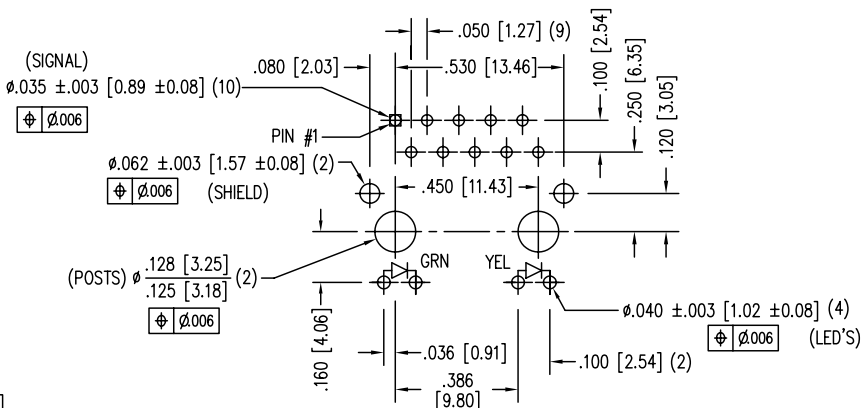
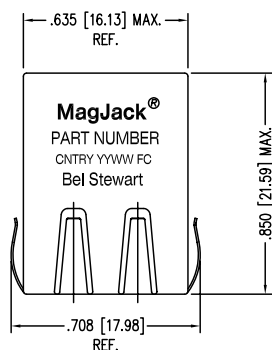
SHEET

2 OF 4

DRAWING NO.

SI-61001-F

REV. 04



P.C.B. RECOMMENDED HOLE LAYOUT
SEEN FROM COMPONENT SIDE

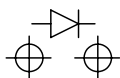
ALL CENTERLINE DIMENSIONS ARE BASIC.



NOTES:

- CONNECTOR MATERIALS:
HOUSING: THERMOPLASTIC UL94 V-0
CONTACT/SHIELD: COPPER ALLOY
SHIELD PLATING: NICKEL OR TIN
CONTACT PLATING: SELECTIVE GOLD,
50 MICRO-INCHES MIN. IN CONTACT AREA.
- PIN NOT ELECTRICALLY CONNECTED MAYBE OMITTED.
SEE ELECTRICAL DRAWING FOR OMITTED PINS.
- TOLERANCES COMPLY WITH F.C.C. DIMENSION REQUIREMENTS.
- ALL TOLERANCES NOT OTHERWISE SPECIFIED TO BE ±.005 [0.13]
- REFLOW AND WAVE SOLDER COMPATIBLE-260°C FOR
10 SECONDS MAX.

LED POLARITY
(ENLARGED VIEW)



SINGLE COLOR LED

LED SPECIFICATION			
STANDARD LED	WAVELENGTH	FORWARD V (MAX)	* (TYP)
GREEN	565 nm	2.5 V	2.2 V
YELLOW	590 nm	2.5 V	2.1 V

*WITH A FORWARD CURRENT OF 20 mA (TYP)

Bel Stewart Connector
11118 Susquehanna Trail, South
Glen Rock, Pa 17327-9199
717.234.7512

MagJack

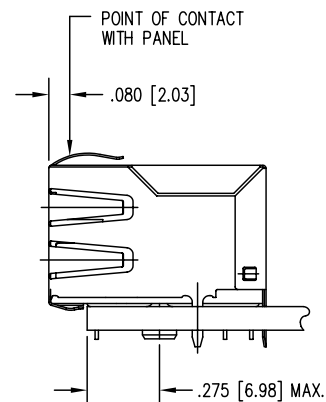
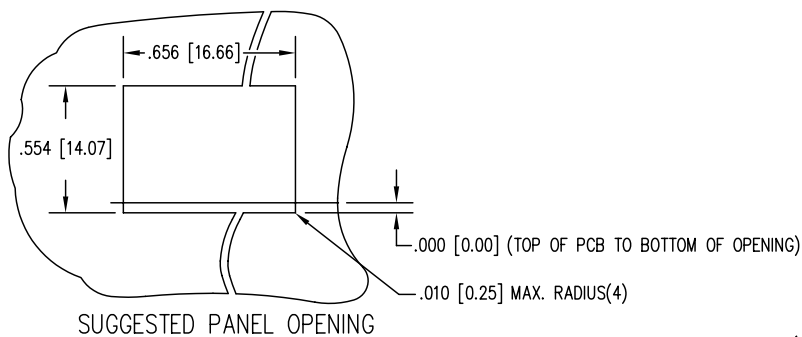
<http://www.stewartconnector.com>

SHEET 3 OF 4

DRAWING NO. SI-61001-F

REV. 03

THIS DRAWING AND THE SUBJECT MATTER SHOWN THEREON ARE CONFIDENTIAL AND PROPERTY OF BEL STEWART CONNECTOR AND SHALL NOT BE REPRODUCED, COPIED, OR USED IN ANY MANNER WITHOUT PRIOR WRITTEN CONTENT OF BEL STEWART CONNECTOR. THE SUBJECT MATTER MAY BE PATENTED OR A PATENT MAY BE PENDING.



1. THE SUGGESTED PANEL OPENING IS INTENDED TO GIVE THE USER THE ABILITY TO HAVE REASONABLE JACK / PANEL CLEARANCES YET MAINTAIN RELIABLE GROUNDING CAPABILITY.
2. ALL TOLERANCES NOT OTHERWISE SPECIFIED TO BE $\pm .005$ [0.13]

Bel Stewart Connector
 11118 Susquehanna Trail, South
 Glen Rock, Pa 17327-9199
 717.234.7512

MagJack®

<http://www.stewartconnector.com>

THIS DRAWING AND THE SUBJECT MATTER SHOWN THEREON ARE CONFIDENTIAL AND PROPERTY OF BEL STEWART CONNECTOR AND SHALL NOT BE REPRODUCED, COPIED, OR USED IN ANY MANNER WITHOUT PRIOR WRITTEN CONTENT OF BEL STEWART CONNECTOR. THE SUBJECT MATTER MAY BE PATENTED OR A PATENT MAY BE PENDING.

SHEET 4 OF 4

DRAWING NO. SI-61001-F

REV. 03