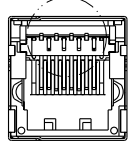
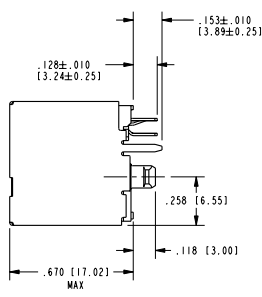
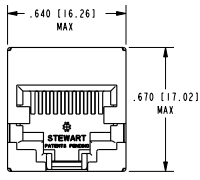
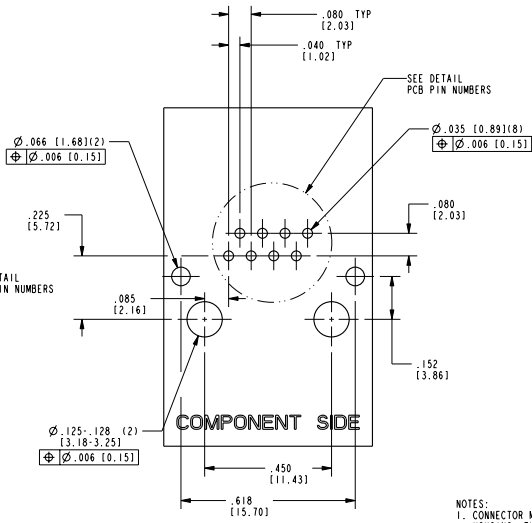
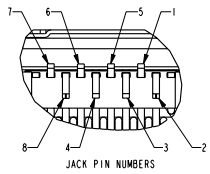


2

1

DATE	REV.	ECN	APP'D BY
7-17-03	A0	6109	JRC
9-27-05	B0	7306	TRM
1-13-06	B1	7437	JM



- NOTES:
- CONNECTOR MATERIALS:
HOUSING: THERMOPLASTIC UL94 V-0
CONTACTS/SHIELD: COPPER ALLOY
SHIELD PLATING: NICKEL
CONTACT PLATING: SELECTIVE GOLD IN CONTACT AREA
SEE CHART FOR PART NUMBER
 - PRODUCT DESIGNED FOR CATEGORY 6 APPLICATIONS
 - TOLERANCES COMPLY WITH F.C.C. DIMENSION REQUIREMENTS
 - REFERENCE PRODUCT SPECIFICATION PRO26-01

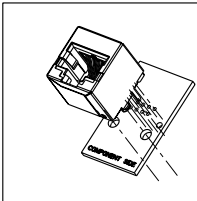
50 MICRO-INCHES [1.27um]	SS-60000-008
CONTACT PLATING IN MATING AREA	PART NUMBER

REV. 7/2003

2

1

Pro/E



THIRD ANGLE PROJECTION

DO NOT SCALE DRAWING
DRAWING IS SUBJECT TO CHANGE WITHOUT NOTICE

DIMENSIONS: INCHES (METRIC)

UNLESS OTHERWISE SPECIFIED TOLERANCES ARE ±.005 [0.13] ANGLES ARE ±1°

SHEET NO. 1 OF 1

Bel Stewart Connector

11118 Susquehanna Trail South
Glen Rock, PA 17327-9199
(717) 235-7512 Fax: (717) 235-7954 <http://www.stewartconnector.com>

TITLE: CATEGORY 6 SHIELDED VERTICAL JACK

DRN BY: JRC	DATE 6-18-02
CKD BY: DHG	DATE 6-18-02
APP'D BY: JRC	DATE 6-18-02
DWG. NO. CT600008	REV. B1

THIS DRAWING AND THE SUBJECT MATTER SHOWN THEREON ARE CONFIDENTIAL AND THE PROPRIETARY PROPERTY OF BEL STEWART CONNECTOR AND SHALL NOT BE REPRODUCED, COPIED, OR USED IN ANY MANNER WITHOUT PRIOR WRITTEN CONSENT OF BEL STEWART CONNECTOR. THE SUBJECT MATTER MAY BE PATENTED OR A PATENT MAY BE PENDING.