



Pushing Performance

HARTING Industrial Connectors Han®



People | Power | Partnership

Transforming customer wishes into concrete solutions



The HARTING Technology Group is skilled in the fields of electrical, electronic and optical connection, transmission and networking, as well as in manufacturing, mechatronics and software creation.

The Group uses these skills to develop customized solutions and products such as connectors for energy and data transmission applications including, for example, mechanical engineering, rail technology, wind energy plants, factory automation and the telecommunications sector. In addition, HARTING also produces electromagnetic components for the automobile industry and offers solutions in the field of Enclosures and Shop Systems.

The HARTING Group currently comprises 28 subsidiary companies and worldwide distributors employing a total of more than 3,000 staff.



HARTING Subsidiary company



HARTING Representatives



WE ASPIRE TO TOP PERFORMANCE.

Connectors ensure functionality. As core elements of electrical and optical wiring, connection and infrastructure technologies, they are essential in enabling the modular construction of devices, machines and systems across a very wide range of industrial applications. Their reliability is a crucial factor guaranteeing smooth functioning in the manufacturing area, in telecommunications, applications in medical technology – in fact, connectors are at work in virtually every conceivable application area. Thanks to the consistent further development of our technologies, customers enjoy investment security and benefit from durable, long term functionality.

ALWAYS AT HAND, WHEREVER OUR CUSTOMERS MAY BE.

Increasing industrialization is creating growing markets characterized by widely diverging demands and requirements. The search for perfection, increasingly efficient processes and reliable technologies is a common factor in all sectors across the globe.

HARTING is providing these technologies – in Europe, America and Asia. The **HARTING** professionals at our international subsidiaries engage in close, partnership based interaction with our customers, right from the very early product development phases, in order to realize customer demands and requirements in the best possible manner.

Our people on location form the interface to the centrally coordinated development and production departments. In this way, our customers can rely on consistently high, superior product quality – worldwide.

OUR CLAIM: PUSHING PERFORMANCE.

HARTING provides more than optimally attuned components.

In order to serve our customers with the best possible solutions, **HARTING** is able to contribute a great deal more and play a closely integrative role in the value creation process.

From ready assembled cables through to control racks or ready-to-go control desks: Our aim is to generate the maximum benefits for our customers – without compromise!

QUALITY CREATES RELIABILITY – AND WARRANTS TRUST.

The **HARTING** brand stands for superior quality and reliability – worldwide. The standards we set are the result of consistent, stringent quality management that is subject to regular certifications and audits.

EN ISO 9001, the EU Eco-Audit and ISO 14001:2004 are key elements here. We take a proactive stance to new requirements, which is why **HARTING** ranks among the first companies worldwide to have obtained the new IRIS quality certificate for rail vehicles.

HARTING TECHNOLOGY CREATES ADDED VALUE FOR CUSTOMERS.

Technologies by HARTING are at work worldwide. HARTING's presence stands for smoothly functioning systems, powered by intelligent connectors, smart infrastructure solutions and mature network systems. In the course of many years of close, trust-based cooperation with its customers, the HARTING Technology Group has advanced to one of the worldwide leading specialists for connector technology. Extending beyond the basic functionalities demanded, we offer individual customers specific and innovative solutions. These tailored solutions deliver sustained effects, provide investment security and enable customers to achieve strong added value.

OPTING FOR HARTING OPENS UP AN INNOVATIVE, COMPLEX WORLD OF CONCEPTS AND IDEAS.

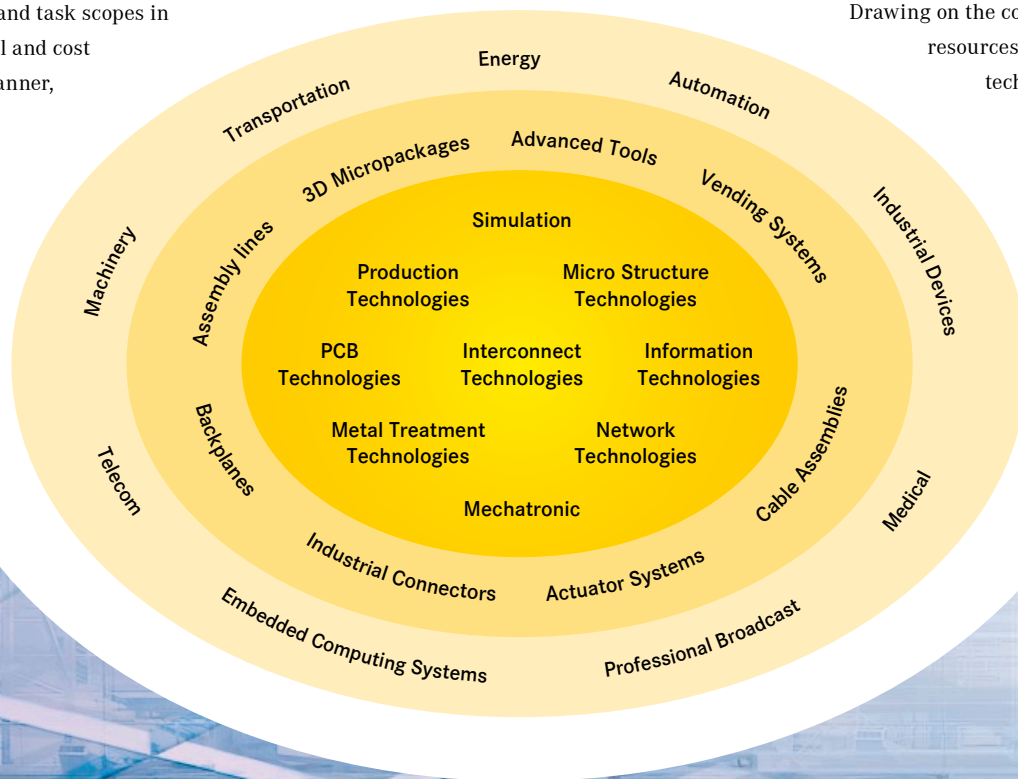
In order to develop connectivity and network solutions serving an exceptionally wide range of connector applications and task scopes in a professional and cost optimized manner, HARTING not only

commands the full array of conventional tools and basic technologies. Over and beyond these capabilities, HARTING is constantly harnessing and refining its broad base of knowledge and experience to create new solutions that ensure continuity at the same time. In securing this know-how lead, HARTING draws on a wealth of sources from both in-house research and the world of applications alike.

Salient examples of these sources of innovative knowledge include microstructure technologies, 3D design and construction technology, as well as high temperature or ultrahigh frequency applications that are finding use in telecommunications or automation networks, in the automotive industry, or in industrial sensor and actuator applications, RFID and wireless technologies, in addition to packaging and housing made of plastics, aluminum or stainless steel.

HARTING SOLUTIONS EXTEND ACROSS TECHNOLOGY BOUNDARIES.

Drawing on the comprehensive resources of the group's technology pool, HARTING devises



practical solutions for its customers. Whether this involves industrial networks for manufacturing automation, or hybrid interface solutions for wireless telecommunication infrastructures, 3D circuit carriers with microstructures, or cable assemblies for high-temperature applications in the automotive industry - **HARTING** technologies offer far more than components, and represent mature, comprehensive solutions attuned to individual customer requirements and wishes. The range covers ready-to-use cable configurations, completely assembled backplanes and board system carriers, as well as fully wired and tested control panels.

In order to ensure the future proof design of RF- and EMC-compatible interface solutions, the central **HARTING** laboratory (certified to EN 45001) provides simulation tools, as well as experimental, testing and diagnostics facilities all the way through to scanning electron microscopes. In the selection of materials and processes, lifecycle and environmental aspects play a key role, in addition to product and process capability considerations.

HARTING KNOWLEDGE IS PRACTICAL KNOW-HOW GENERATING SYNERGY EFFECTS.

HARTING commands decades of experience with regard to the applications conditions of connectors in telecommunications, computer and network technologies and medical technologies, as well as industrial automation technologies, such as the mechanical engineering and plant engineering areas, in addition to the power generation industry or the transportation sector. **HARTING** is highly conversant with the specific application areas in all of these technology fields.

The key focus is on applications in every solution approach. In this context, uncompromising, superior quality is our hallmark. Every new solution found will invariably flow back into the **HARTING** technology pool, thereby enriching our resources. And every new solution we go on to create will draw on this wealth of resources in order to optimize each and every individual solution. In this way, **HARTING** is synergy in action.



Field of application

HARTING Industrial Connectors are applicable in a wide variety of electronic and electrical applications. The degree of protection of all hoods and housings is in accordance with International Standard IEC 60 529, EN 60 529.

- Power Utilities
- Robotics
- Chemical Plants
- Machine Tool Controls
- Injection Moulding
- Industrial Instrumentation
- Conveyor Equipment
- Transportation
- and many more.



Certified according to EN ISO 9001 in design/development, production, installation and servicing

Specifications:

VDE 0110
Table concerning clearance and creepage distances

VDE 0627
Connectors and plug devices

Standards:

DIN EN 175 301 - 801, DIN EN 61 984

Approvals:

UL, CSA for inserts
Nema 4/12 and 4x for hoods and housings

Note:

Connectors should not be coupled and decoupled under electrical load. Connectors of the same or different series being mounted side by side may be protected against incorrect mating by the use of coding options.

General information:

It is the user's responsibility to check whether the components illustrated in this catalogue comply with different regulations from those stated in special fields of application which we are unable to foresee.

We reserve the right to modify designs in order to improve quality, keep pace with technological advancement or meet particular requirements in production.

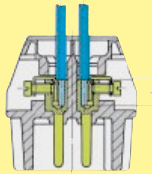
No part of this catalogue may be reproduced in any form (print, photocopy, microfilm or any other process) or processed, duplicated or distributed by means of electronic systems without the prior written consent of HARTING Electric GmbH & Co. KG, Espelkamp. We are bound by the German version only.

CONTENTS	PAGE
Hoods/Housings - Inserts	8
Termination details for inserts	9
Inserts Han E®	10
Inserts Han® ES / ESS	11
Inserts Han® EE / EEE	12
Inserts Han® HsB	12
Inserts Han D® / Han DD®	13
Inserts Han A®	14
Inserts Han-Com®	15
Inserts Han® Q	16
Hoods/Housings Han-Compact®	17
Han-Power®	18
Han-Brid®	19
Han-Modular®	20
Han-Snap®	23
Hoods/Housings	24
Tools	28
Crimp contacts	28

Inserts	Size										
	Han® 3 A; M; EMC; HPR	Han-Compact®	Han® 10 A; EMC	Han® 16 A; EMC	Han® 32 A	Han® 6 B; M; EMC; HPR	Han® 10 B; M; EMC; HPR	Han® 16 B; M; EMC; HPR	Han® 24 B; M; EMC; HPR	Han® 32 B	Han® 48 B
Han® 3 A; Han® 4 A Han® 7 D ¹⁾ ; Han® 8 D Han-Brid® Han® Q 5/0; Han® Q 7/0	X										
Han® Q 8/0; Han® Q 17/0; Han® Q 4/2		X									
Han® 10 A Han® 15 D Han-Modular® with 1 module			X								
Han® 16 A Han® 25 D				X							
Han® 32 A (2x Han® 16 A) Han® 50 D (2x Han® 25 D)					X						
Han® 6 E; Han® 6 ES; Han® 6 ESS; Han® 6 E AV Han® 10 EE Han® 24 DD Han-Modular® with 2 modules						X					
Han® 10 E; Han® 10 ES; Han® 10 ESS; Han® 10 E AV Han® 18 EE Han® 42 DD Han® K 8/24 Han-Modular® with 3 modules							X				
Han® 16 E; Han® 16 ES; Han® 16 ESS; Han® 16 E AV Han® 32 EE; Han® 40 EEE Han® 72 DD Han® 6 HsB Han® K 4/0; Han® K4/2; Han® K12/2; Han® K 6/12; Han® K 6/36 Han-Modular® with 4 modules								X			
Han® 24 E; Han® 24 ES; Han® 24 ESS; Han® 24 E AV Han® 46 EE; Han® 64 EEE Han® 108 DD Han® K 4/8; Han® K 6/6; Han® K 8/0 Han-Modular® with 6 modules									X		
Han® 32 E; Han® 32 ES; Han® 32 ESS; Han® 32 E AV (2x Han® 16 E / ES / ESS / E AV) Han® 64 EE (2x Han® 32 EE) Han® 144 DD (2x Han® 72 DD) Han® 12 HsB (2x Han® 6 HsB) Han-Modular® with 2x 4 modules										X	
Han® 48 E; Han® 48 ES; Han® 48 ESS (2x Han® 24 E / ES / ESS) Han® 92 EE (2x Han® 46 EE) Han® 216 DD (2x Han® 108 DD) Han-Modular® with 2x 6 modules											X

Screw terminal

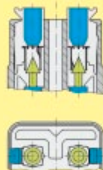
Han A®
Han E®
Han-Com®
Han Hv E®
Han® HsB
StaF®



Inserts	max. wire gauge		Stripping length l (mm)
	(mm²)	AWG	
Han® 3 A; Han® 4 A	2.5	14	4.5
Han E®, Han® K; Han A®, Han HvE®	2.5	14	7
Han® HsB	6.0	10	11.5
StaF®	1.5	16	4
Han® K 4/x (80 A)	16	5	14

Quick Lock termination

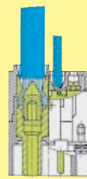
Han A®
Han® Q
Han-Modular®
Han D®



Inserts	max. wire gauge		Stripping length l (mm)
	(mm²)	AWG	
Han® A; Han® Q; Han-Modular® EE	0.5 ... 2.5	20 ... 14	10
Han D®	0.25 ... 1.5	24 ... 16	8

Axial screw terminal

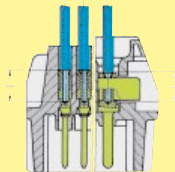
Han® K



Inserts	geometric wire gauge		Stripping length l (mm)
	(mm²)	AWG	
Han® K 6/12 (40 A)	2.5 ... 10	13 ... 7	8 ... 9
Han® K 4/4 (70 A)	6 ... 16	8 ... 6	11
Han® K 6/6 (100 A)	16 ... 35	5 ... 2	13 ... 14
Han® 200 A module	40 ... 70	1 ... 00	16

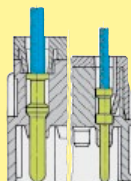
Crimp terminal

Han DD®
Han D®
R 15
Han-Modular® (10 A)



Han E®
Han A®
Han Hv E®

Han-Com®
Han-Modular® (40 A)



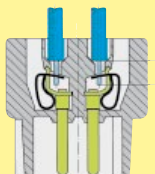
Han E®
Han A®
Han Hv E®
Han® EE
Han-Modular® (16 A)
Han® EEE

Diameter of individual strands		Internal diameter ø (mm)	Stripping length l (mm)		
(mm²)	AWG		Han DD® Han D® R 15 Han-Modular® (10 A)	Han E® Han A® Han Hv E®	Han® C
0.14 ... 0.37	26 ... 22	0.9	8	-	-
0.5	20	1.15	8	7.5	-
0.75	18	1.3	8	7.5	-
1	18	1.45	8	7.5	-
1.5	16	1.75	8	7.5	9
2.5	14	2.25	6	7.5	9
4	12	2.85	-	7.5	9.6
6	10	3.5	-	-	9.6
10	8	4.1	-	-	15 *

* ... Stripping length 18 mm for cables 6.4 ... 7.5 mm

Cage-clamp terminal

Han® ES
Han® Hv ES
Han® ESS



Inserts	max. wire gauge		Stripping length l (mm)
	(mm²)	AWG	
Han® ES; Han® Hv ES	0.14 ... 2.5	26 ... 14	7 ... 9
Han® ESS	0.14 ... 2.5	26 ... 14	9 ... 11



Recognized
File E 18753



Certified Fi
le 235076

Series	Han E®			
Number of contacts	6 + ⊕	10 + ⊕	16 + ⊕	24 + ⊕
Termination	Screw terminal	Screw terminal	Screw terminal	Screw terminal
Electrical data acc. to EN 61 984 UL/CSA	16 A 500 V 6 kV 3 600 V	16 A 500 V 6 kV 3 600 V	16 A 500 V 6 kV 3 600 V	16 A 500 V 6 kV 3 600 V
Wire gauge	1 ... 2.5 mm ²	1 ... 2.5 mm ²	1 ... 2.5 mm ²	1 ... 2.5 mm ²
Identification of contacts	1-6	1-10	1-16	1-24
Male insert (M)	09 33 006 2601	09 33 010 2601	09 33 016 2601	09 33 024 2601
Female insert (F)	09 33 006 2701	09 33 010 2701	09 33 016 2701	09 33 024 2701
Number of contacts	6 + ⊕	10 + ⊕	16 + ⊕	24 + ⊕
Termination	Crimp terminal	Crimp terminal	Crimp terminal	Crimp terminal
Electrical data acc. to EN 61 984 UL/CSA	16 A 500 V 6 kV 3 600 V	16 A 500 V 6 kV 3 600 V	16 A 500 V 6 kV 3 600 V	16 A 500 V 6 kV 3 600 V
Wire gauge	0.5 ... 4 mm ²	0.5 ... 4 mm ²	0.5 ... 4 mm ²	0.5 ... 4 mm ²
Identification of contacts	1-6	1-10	1-16	1-24
Male insert (M)	09 33 006 2602	09 33 010 2602	09 33 016 2602	09 33 024 2602
Female insert (F)	09 33 006 2702	09 33 010 2702	09 33 016 2702	09 33 024 2702
Number of contacts	32 + ⊕		48 + ⊕	
Termination	Screw terminal		Screw terminal	
Electrical data acc. to EN 61 984 UL/CSA	16 A 500 V 6 kV 3 600 V		16 A 500 V 6 kV 3 600 V	
Wire gauge	1 ... 2.5 mm ²		1 ... 2.5 mm ²	
Identification of contacts	1-16	17-32	1-24	25-48
Male insert (M)	09 33 016 2601	09 33 016 2611	09 33 024 2601	09 33 024 2611
Female insert (F)	09 33 016 2701	09 33 016 2711	09 33 024 2701	09 33 024 2711
Number of contacts	32 + ⊕		48 + ⊕	
Termination	Crimp terminal		Crimp terminal	
Electrical data acc. to EN 61 984 UL/CSA	16 A 500 V 6 kV 3 600 V		16 A 500 V 6 kV 3 600 V	
Wire gauge	0.5 ... 4 mm ²		0.5 ... 4 mm ²	
Identification of contacts	1-16	17-32	1-24	25-48
Male insert (M)	09 33 016 2602	09 33 016 2612	09 33 024 2602	09 33 024 2612
Female insert (F)	09 33 016 2702	09 33 016 2712	09 33 024 2702	09 33 024 2712

Series	Han® ES			
Number of contacts	6 + ⊕	10 + ⊕	16 + ⊕	24 + ⊕
Termination	Cage-clamp terminal	Cage-clamp terminal	Cage-clamp terminal	Cage-clamp terminal
Electrical data acc. to EN 61 984 UL/CSA	16 A 500 V 6 kV 3 600 V	16 A 500 V 6 kV 3 600 V	16 A 500 V 6 kV 3 600 V	16 A 500 V 6 kV 3 600 V
Wire gauge	0.14 ... 2.5 mm ²	0.14 ... 2.5 mm ²	0.14 ... 2.5 mm ²	0.14 ... 2.5 mm ²
Identification of contacts	1-6	1-10	1-16	1-24
Male insert (M)	09 33 006 2616	09 33 010 2616	09 33 016 2616	09 33 024 2616
Female insert (F)	09 33 006 2716	09 33 010 2716	09 33 016 2716	09 33 024 2716
Number of contacts	32 + ⊕		48 + ⊕	
Termination	Cage-clamp terminal		Cage-clamp terminal	
Electrical data acc. to EN 61 984 UL/CSA	16 A 500 V 6 kV 3 600 V		16 A 500 V 6 kV 3 600 V	
Wire gauge	0.14 ... 2.5 mm ²		0.14 ... 2.5 mm ²	
Identification of contacts	1-16	17-32	1-24	25-48
Male insert (M)	09 33 016 2616	09 33 016 2626	09 33 024 2616	09 33 024 2626
Female insert (F)	09 33 016 2716	09 33 016 2726	09 33 024 2716	09 33 024 2726
Series	Han® ESS			
Number of contacts	6 + ⊕	10 + ⊕	16 + ⊕	24 + ⊕
Termination	Cage-clamp terminal	Cage-clamp terminal	Cage-clamp terminal	Cage-clamp terminal
Electrical data acc. to EN 61 984 UL/CSA	16 A 500 V 6 kV 3 600 V	16 A 500 V 6 kV 3 600 V	16 A 500 V 6 kV 3 600 V	16 A 500 V 6 kV 3 600 V
Wire gauge	0.14 ... 2.5 mm ²	0.14 ... 2.5 mm ²	0.14 ... 2.5 mm ²	0.14 ... 2.5 mm ²
Identification of contacts	1-6	1-10	1-16	1-24
Male insert (M)	09 33 006 2672	09 33 010 2672	09 33 016 2672	09 33 024 2672
Female insert (F)	09 33 006 2772	09 33 010 2772	09 33 016 2772	09 33 024 2772
Number of contacts	32 + ⊕		48 + ⊕	
Termination	Cage-clamp terminal		Cage-clamp terminal	
Electrical data acc. to EN 61 984 UL/CSA	16 A 500 V 6 kV 3 600 V		16 A 500 V 6 kV 3 600 V	
Wire gauge	0.14 ... 2.5 mm ²		0.14 ... 2.5 mm ²	
Identification of contacts	1-16	1-16	1-24	1-24
Male insert (M)	09 33 016 2672	09 33 016 2672	09 33 024 2672	09 33 024 2672
Female insert (F)	09 33 016 2772	09 33 016 2772	09 33 024 2772	09 33 024 2772

Series	Han® EE			
Number of contacts	10 + ⊕	18 + ⊕	32 + ⊕	46 + ⊕
Termination	Crimp terminal			
Electrical data acc. to EN 61 984 UL/CSA	16 A 500 V 6 kV 3 600 V	16 A 500 V 6 kV 3 600 V	16 A 500 V 6 kV 3 600 V	16 A 500 V 6 kV 3 600 V
Wire gauge	0.5 ... 4 mm ²	0.5 ... 4 mm ²	0.5 ... 4 mm ²	0.5 ... 4 mm ²
Identification of contacts	1-10	1-18	1-32	1-46
Male insert (M)	09 32 010 3001	09 32 018 3001	09 32 032 3001	09 32 046 3001
Female insert (F)	09 32 010 3101	09 32 018 3101	09 32 032 3101	09 32 046 3101
Number of contacts	64 + ⊕		92 + ⊕	
Termination	Crimp terminal			
Electrical data acc. to EN 61 984 UL/CSA	16 A 500 V 6 kV 3 600 V		16 A 500 V 6 kV 3 600 V	
Wire gauge	0.5 ... 4 mm ²		0.5 ... 4 mm ²	
Identification of contacts	1-32	33-64	1-46	47-92
Male insert (M)	09 32 032 3001	09 32 032 3011	09 32 046 3001	09 32 046 3011
Female insert (F)	09 32 032 3101	09 32 032 3111	09 32 046 3101	09 32 046 3111
Series	Han® EEE			
Number of contacts	40 + ⊕	64 + ⊕		
Termination	Crimp terminal			
Electrical data acc. to EN 61 984 UL/CSA	16 A 500 V 6 kV 3 600 V	16 A 500 V 6 kV 3 600 V		
Wire gauge	0.14 ... 4 mm ²	0.14 ... 4 mm ²		
Identification of contacts	1-40	1-64		
Male insert (M)	09 32 040 3001	09 32 064 3001		
Female insert (F)	09 32 040 3101	09 32 064 3101		
Series	Han® HsB			
Number of contacts	6 + ⊕	12 + ⊕		
Termination	Screw terminal			
Electrical data acc. to EN 61 984 UL/CSA	35 A 400/690 V 6 kV 3 600 V / 600 V	35 A 400/690 V 6 kV 3 600 V / 600 V		
Wire gauge	4 ... 6 mm ²	4 ... 6 mm ²		
Identification of contacts	1-6	1-6 7-12		
Male insert (M)	09 31 006 2601	09 31 006 2601 09 31 006 2611		
Female insert (F)	09 31 006 2701	09 31 006 2701 09 31 006 2711		




Series	Han D®			
Number of contacts	7 + ⊕	7 + ⊕	8	8
Termination	Crimp terminal	Quick Lock termination	Crimp terminal	Quick Lock termination
Electrical data acc. to EN 61 984 UL/CSA	10 A 250 V 4 kV 3 600 V	10 A 250 V 4 kV 3	10 A 50 V 4 kV 3 50 V	10 A 50 V 0.8 kV 3
Wire gauge	0.14 ... 2.5 mm ²	0.25 ... 1.5 mm ²	0.14 ... 2.5 mm ²	0.25 ... 1.5 mm ²
Identification of contacts	1-7	1-7	1-8	1-8
Male insert (M)	09 21 007 3031	09 21 007 2632	09 36 008 3001	09 36 008 2632
Female insert (F)	09 21 007 3131	09 21 007 2732	09 36 008 3101	09 36 008 2732

Series	Han D®		
Number of contacts	15 + ⊕	25 + ⊕	40 + ⊕
Termination	Crimp terminal	Crimp terminal	Crimp terminal
Electrical data acc. to EN 61 984 UL/CSA	10 A 250 V 4 kV 3 600 V	10 A 250 V 4 kV 3 600 V	10 A 250 V 4 kV 3 600 V
Wire gauge	0.14 ... 2.5 mm ²	0.14 ... 2.5 mm ²	0.14 ... 2.5 mm ²
Identification of contacts	1-15	1-25	1-40
Male insert (M)	09 21 015 3001	09 21 025 3001	09 21 040 3001
Female insert (F)	09 21 015 3101	09 21 025 3101	09 21 040 3101

Series	Han D®	
Number of contacts	50 + ⊕	64 + ⊕
Termination	Crimp terminal	Crimp terminal
Electrical data acc. to EN 61 984 UL/CSA	10 A 250 V 4 kV 3 600 V	10 A 250 V 4 kV 3 600 V
Wire gauge	0.14 ... 2.5 mm ²	0.14 ... 2.5 mm ²
Identification of contacts	1-25	1-64
Male insert (M)	09 21 025 3001	09 21 064 3001
Female insert (F)	09 21 025 3101	09 21 064 3101

Series	Han D®	
Number of contacts	80 + ⊕	128 + ⊕
Termination	Crimp terminal	Crimp terminal
Electrical data acc. to EN 61 984 UL/CSA	10 A 250 V 4 kV 3 600 V	10 A 250 V 4 kV 3 600 V
Wire gauge	0.14 ... 2.5 mm ²	0.14 ... 2.5 mm ²
Identification of contacts	1-40	1-64
Male insert (M)	09 21 040 3001	09 21 064 3001
Female insert (F)	09 21 040 3101	09 21 064 3101

Series	Han DD®				
Number of contacts	24 + ⊕	42 + ⊕	72 + ⊕	108 + ⊕	
Termination	Crimp terminal	Crimp terminal	Crimp terminal	Crimp terminal	
Electrical data acc. to EN 61 984 UL/CSA	10 A 250 V 4 kV 3 600 V	10 A 250 V 4 kV 3 600 V	10 A 250 V 4 kV 3 600 V	10 A 250 V 4 kV 3 600 V	
Wire gauge	0.14 ... 2.5 mm ²	0.14 ... 2.5 mm ²	0.14 ... 2.5 mm ²	0.14 ... 2.5 mm ²	
Identification of contacts	1-24	1-42	1-72	1-108	
Male insert (M)	09 16 024 3001	09 16 042 3001	09 16 072 3001	09 16 108 3001	
Female insert (F)	09 16 024 3101	09 16 042 3101	09 16 072 3101	09 16 108 3101	
Number of contacts	144 + ⊕		216 + ⊕		
Termination	Crimp terminal		Crimp terminal		
Electrical data acc. to EN 61 984 UL/CSA	10 A 250 V 4 kV 3 600 V		10 A 250 V 4 kV 3 600 V		
Wire gauge	0.14 ... 2.5 mm ²		0.14 ... 2.5 mm ²		
Identification of contacts	1-72	73-144	1-108	109-216	
Male insert (M)	09 16 072 3001	09 16 072 3011	09 16 108 3001	09 16 108 3011	
Female insert (F)	09 16 072 3101	09 16 072 3111	09 16 108 3101	09 16 108 3111	
Series	Han A®				
Number of contacts	3 + ⊕	3 + ⊕	4 + ⊕	4 + ⊕	6 + ⊕
Termination	Screw terminal	Quick Lock terminal	Screw terminal	Quick Lock terminal	IDC terminal
Electrical data acc. to EN 61 984 UL/CSA	10 A 230/400 V 4 kV 3 600 V	10 A 230/400 V 4 kV 3 600 V	10 A 230/400 V 4 kV 3 600 V	10 A 230/400 V 4 kV 3 600 V	10 A 230/400 V 4 kV 3 600 V
Wire gauge	1 ... 2.5 mm ²	0.5 ... 2.5 mm ²	1 ... 2.5 mm ²	0.5 ... 2.5 mm ²	0.75 ... 1.5 mm ²
Identification of contacts	1-3	1-3	1-4	1-4	1-3 1-3
Male insert (M)	09 20 003 2611	09 20 003 2633	09 20 004 2611	09 20 004 2633	09 20 003 0440
Female insert (F)	09 20 003 2711	09 20 003 2733	09 20 004 2711	09 20 004 2733	09 20 003 0445 09 20 003 0745
Number of contacts	10 + ⊕	10 + ⊕	16 + ⊕	16 + ⊕	
Termination	Screw terminal	Crimp terminal	Screw terminal	Crimp terminal	
Electrical data acc. to EN 61 984 UL/CSA	16 A 250 V 4 kV 3 600 V	16 A 250 V 4 kV 3 600 V	16 A 250 V 4 kV 3 600 V	16 A 250 V 4 kV 3 600 V	
Wire gauge	1 ... 2.5 mm ²	0.5 ... 4 mm ²	1 ... 2.5 mm ²	0.5 ... 4 mm ²	
Identification of contacts	1-10	1-10	1-16	1-16	
Male insert (M)	09 20 010 2612	09 20 010 3001	09 20 016 2612	09 20 016 3001	
Female insert (F)	09 20 010 2812	09 20 010 3101	09 20 016 2812	09 20 016 3101	

Series	Han-Com®			
Number of contacts	4/0 + ⊕	4/2 + ⊕	4/4 + ⊕	4/8 + ⊕
Termination	Screw terminal	Screw terminal	Axial screw terminal	Screw terminal
				
Electrical data acc. to EN 61 984				
Power contacts	80 A 830 V 8 kV 3	80 A 830 V 8 kV 3	63 A 690 V 6 kV 3	80 A 400 V 6 kV 3
Signal contacts	-	16 A 400 V 6 kV 3	16 A 230 V 4 kV 3	16 A 400 V 6 kV 3
Wire gauge				
Power contacts	1.5 ... 16 mm ²	1.5 ... 16 mm ²	6 ... 16 mm ²	1.5 ... 16 mm ²
Signal contacts		0.5 ... 2.5 mm ²	0.14 ... 2.5 mm ²	0.5 ... 2.5 mm ²
Male insert (M)	09 38 006 2611	09 38 006 2601	09 38 008 2601	09 38 012 2601
Female insert (F)	09 38 006 2711	09 38 006 2701	09 38 008 2701	09 38 012 2701
Number of contacts	6/6 + ⊕	6/12 + ⊕	8/0 + ⊕	
Termination	Axial screw terminal	Axial screw terminal	Axial screw terminal	
				
Electrical data acc. to EN 61 984				
Power contacts	100 A 690 V 8 kV 3	40 A 690 V 8 kV 3	100 A 690 V 8 kV 3	
Signal contacts	16 A 400 V 6 kV 3	10 A 230/400 V 4 kV 3	-	
Wire gauge				
Power contacts	16 ... 35 mm ²	2.5 ... 8 mm ²	10 ... 25 mm ²	
Signal contacts	0.2 ... 2.5 mm ²	0.2 ... 2.5 mm ²		
Male insert (M)	09 38 012 2651	09 38 018 2601	09 38 008 2653	
Female insert (F)	09 38 012 2751	09 38 018 2701	09 38 008 2753	
Number of contacts	8/24 + ⊕	12/2 + ⊕	6/36 + ⊕	
Termination	Crimp terminal	Crimp terminal	Crimp terminal	
				
Electrical data acc. to EN 61 984				
Power contacts	16 A 230/400 V 4 kV 3	40 A 690 V 8 kV 3	40 A 690 V 8 kV 3	
Signal contacts	10 A 160 V 2,5 kV 3	10 A 250 V 4 kV 3	10 A 160 V 2,5 kV 3	
Wire gauge				
Power contacts	0.5 ... 4 mm ²	1.5 ... 6 mm ²	1.5 ... 6 mm ²	
Signal contacts	0.14 ... 2.5 mm ²	0.14 ... 2.5 mm ²	0.14 ... 2.5 mm ²	
Male insert (M)	09 38 032 3001	09 32 012 3001	09 38 042 3001	
Female insert (F)	09 38 032 3101	09 32 012 3101	09 38 042 3101	

Series	Han® Q				
Number of contacts	2/0 + ⊕	2/0 + ⊕	2/0 + ⊕	2/0 + ⊕	
Termination	Axial screw terminal 	Axial screw terminal 	Axial screw terminal 	Axial screw terminal 	
Electrical data acc. to EN 61 984					
Power contacts	40 A 400 V 6 kV 3	40 A 400 V 6 kV 3	40 A 830 V 6 kV 3	40 A 830 V 6 kV 3	
Signal contacts	-	-	-	-	
Wire gauge					
Power contacts	4 ... 6 mm ²	2.5 ... 6 mm ²	4 ... 6 mm ²	2.5 ... 6 mm ²	
Signal contacts					
Male insert (M)	09 12 002 2651	09 12 002 2653	09 12 002 2652	09 12 002 2654	
Female insert (F)	09 12 002 2751	09 12 002 2753	09 12 002 2752	09 12 002 2754	
Number of contacts	5/0 + ⊕	5/0 + ⊕	4/2 + ⊕	7/0 + ⊕	
Termination	Crimp terminal 	Han-Quick Lock® 	Crimp terminal 	Crimp terminal 	
Electrical data acc. to EN 61 984					
Power contacts	16 A 230/400 V 4 kV 3	16 A 230/400 V 4 kV 3	40 A 400/690 V 6 kV 3 10 A 250 V 4 kV	10 A 400 V 6 kV 3	
Signal contacts	-	-		-	
Wire gauge					
Power contacts	0.14 ... 2.5 mm ²	0.5 ... 2.5 mm ²	1.5 ... 6 mm ²	0.14 ... 2.5 mm ²	
Signal contacts			0.14 ... 2.5 mm ²		
Male insert (M)	09 12 005 3001	09 12 005 2633	09 12 006 3041	09 12 007 3001	
Female insert (F)	09 12 005 3101	09 12 005 2733	09 12 006 3141	09 12 007 3101	
Number of contacts	8/0 + ⊕	8/0 + ⊕	17 + ⊕	12/0 + ⊕	8/10 + ⊕
Termination	Crimp terminal 	Han-Quick Lock® 	Crimp terminal 	Crimp terminal/ Han-Quick Lock® 	Han® Q Data RJ45 
Electrical data acc. to EN 61 984					
Power contacts	16 A 500 V 6 kV 3	16 A 500 V 6 kV 3	10 A 250 V 3	10 A 400 V 6 kV 3	5 A 50 V 0.8 kV 3 10 A 250 V 4 kV
Signal contacts	-	-	-	-	
Wire gauge					
Power contacts	0.14 ... 4 mm ²	0.5 ... 2.5 mm ²	0.14 ... 2.5 mm ²	0.14 ... 2.5 mm ²	0.13 ... 0.52 mm ²
Signal contacts					0.13 ... 0.25 mm ²
Male insert (M)	09 12 008 3001	09 12 008 2633	09 12 017 3001	09 12 012 3001	09 12 011 3001
Female insert (F)	09 12 008 3101	09 12 008 2733	09 12 017 3101	09 12 012 3101	09 12 011 3111

Han-Compact® Hoods/Housings



Series	Han-Compact®			
Identification	Hoods top entry, High construction	Hoods side entry	Hoods, cable to cable top entry	Housings, surface mounting
Material	thermoplastic	thermoplastic	thermoplastic	thermoplastic
Cable gland order separately				
Pg 16	09 12 008 0427	09 12 008 0527	09 12 008 0727	09 12 008 0901
M 25	19 12 008 0429		19 12 008 0729	
Identification	Housings, bulkhead mounting side entry	Housings, bulkhead mounting	Protection covers for housings, bulkhead mounting , High construction thermoplastic	
Material	thermoplastic	thermoplastic		
				
Male insert (M)	09 12 008 0902	09 12 008 0327	09 12 008 5407	
Female insert (F)	09 12 008 0902	09 12 008 0327	09 12 008 5408	
Identification	Cable seal for hoods		Pressure nut and insert for housings surface mount, angled	
Material	thermoplastic		thermoplastic	
				
Pg 16	09 00 000 5059		09 00 000 5058	
M 25 10.5 - 14 mm	19 12 000 5157			
M 25 14 - 17 mm	19 12 000 5158			
Identification	Hoods top entry, High construction	Hoods side entry, High construction	Hoods side entry	Housings, bulkhead mounting
Material	metal	metal	metal	metal
Cable gland order separately				
M 25	19 12 008 0426	19 12 008 0526	19 12 708 0501	09 12 708 0301
Identification	Cable seal for hoods		Cable seal for hoods	
Material	metal		metal	
				
M 25 10.5 - 14 mm	19 12 000 5057		19 12 000 5058	
M 25 14 - 17 mm				

		Han-Power® S					
Power supply		1 x Q 4/2	1 x Q 4/2	2 x Q 4/2	1 x Q 8/0		
Termination		IDC Insulation displacement terminal	IDC Insulation displacement terminal	IDC Insulation displacement terminal	IDC Insulation displacement terminal		
							
Electrical data acc. to EN 61 984		40 A 400/690 V 6 kV 3	40 A 400/690 V 6 kV 3	40 A 400/690 V 6 kV 3	25 A 500 V 6 kV 3		
Power contacts		10 A 250 V 4 kV	10 A 250 V 4 kV	10 A 250 V 4 kV	-		
Signal contacts		2.5 ... 4 mm ²	4 ... 6 mm ²	4 ... 6 mm ²	2.5 ... 4 mm ²		
Wire gauge		1-7	1-7	1-7	1-7		
Identification of contacts		09 12 008 4804	09 12 008 4806	09 12 008 4807	09 12 008 4801		
Part number							
Power supply		1 x Q 8/0	2 x Q 8/0	1 x Q 4/2	1 x Q 4/2		
Termination		IDC Insulation displacement terminal	IDC Insulation displacement terminal	IDC Insulation displacement terminal	IDC Insulation displacement terminal		
							
Electrical data acc. to EN 61 984		25 A 500 V 6 kV 3	25 A 500 V 6 kV 3	40 A 400/690 V 6 kV 3	40 A 400/690 V 6 kV 3		
Power contacts		-	-	10 A 250 V 4 kV	10 A 250 V 4 kV		
Signal contacts		4 ... 6 mm ²	2.5 ... 4 mm ²	4 ... 6 mm ²	10 mm ²		
Wire gauge		1-7	1-7	1-7	1-5		
Identification of contacts		09 12 008 4811	09 12 008 4802	09 12 008 4901	09 12 008 4951		
Part number							
		Han-Power® S accessories					
Identification		Panel feed through sealing	Panel feed through sealing	Panel feed through sealing	Sealing for Han-Power® S	Panel feed through sealing	Blind grommet
							
Cable diameter		7 - 10 mm	10 - 13 mm	13 - 16 mm	16 - 19 mm	19 - 22 mm	
Bestell-Nummer		09 12 000 9969	09 12 000 9970	09 12 000 9971	09 12 000 9972	09 12 000 9973	09 12 000 9974
		Han-Power® T					
Power supply		3 x Q 4/2	3 x Q 5/0	3 x Q 3/4			
Termination		Crimp terminal	Crimp terminal	Crimp terminal			
							
Electrical data acc. to EN 61 984		40 A 400/690 V 6 kV 3	16 A 230/400 V 4 kV 3	40 A 400/690 V 6 kV 3			
Power contacts		10 A 250 V 4 kV	-	16 A 400 V 6 kV			
Signal contacts		4 ... 6 mm ²	0.14 ... 2.5 mm ²	2.5 ... 6 mm ²			
Wire gauge		1-4	1-5	1-7			
Identification of contacts		09 12 008 4720	09 12 008 4751	09 12 008 4760			
Part number							

Series	Han-Brid®			
Number of contacts	4/2	4/2	4/2	4/2
Identification	Device side	Cable side	Panel feed through with cage-clamp terminal	Latching parts / panel feed through
Electrical data acc. to EN 61 984 Wire gauge ¹⁾	 10 A 50 V 0.8 kV 3 0.14 ... 2.5 mm ²	 10 A 50 V 0.8 kV 3 0.14 ... 2.5 mm ²	 10 A 50 V 0.8 kV 3 0.14 ... 2.5 mm ²	 10 A 50 V 0.8 kV 3 0.14 ... 2.5 mm ²
Male insert (M)	09 12 006 2611	09 12 006 3001	09 12 006 2695	09 12 006 2694
Female insert (F)	09 12 006 2701	09 12 006 3111	09 12 006 2795	09 12 006 2794
Number of contacts	2/8	2/8	2/4	
Identification	Panel feed through, straight	Panel feed through, angled	Latching / panel feed through, 4-wires	
Electrical data acc. to EN 61 984 Wire gauge ¹⁾	 10 A 24 V 0.8 kV 3 0.14 ... 2.5 mm ²	 10 A 24 V 0.8 kV 3 0.14 ... 2.5 mm ²	 10 A 24 V 0.8 kV 3 0.14 ... 2.5 mm ²	
Male insert (M)				
Female insert (F)	09 12 003 2774	09 12 003 2776	09 12 003 2770	
Number of contacts	2/4	2/8	2/8	4
Identification	HARTING RJ Industrial®	RJ45	RJ45	F.O. SC contacts
Electrical data acc. to EN 61 984 Wire gauge ¹⁾	 10 A 24 V 0.8 kV 3 0.14 ... 2.5 mm ²	 10 A 24 V 0.8 kV 3 0.14 ... 2.5 mm ²	 10 A 24 V 0.8 kV 3 0.14 ... 2.5 mm ²	 - -
Male insert (M)	09 12 003 3011	09 12 003 3021	09 12 003 3031	09 20 004 4701
Female insert (F)				09 20 004 4711

¹⁾ ... for power supply

Modules	Han® 200 A module	Han® 100 A module	Han® 100 A module	Han® 70 A module
Number of contacts	1	2	2	2
Termination	Axial screw terminal 	Axial screw terminal 	Crimp terminal 	Axial screw terminal 
Electrical data acc. to EN 61 984	200 A 1000 V 8 kV 3	100 A 1000 V 8 kV 3	100 A 1000 V 8 kV 3	70 A 1000 V 8 kV 3
Wire gauge	40 ... 70 mm ²	16 ... 35 mm ²	16 ... 35 mm ²	6 ... 16 mm ²
Male insert (M)	09 14 001 2662	09 14 002 2651	09 14 002 3051	09 14 002 2641
Female insert (F)	09 14 001 2762	09 14 002 2751	09 14 002 3151	09 14 002 2741
Modules	Han® 40 A module	Han® 40 A module	Han® C Axial screw module	Han® C module
Number of contacts	2	2	3	3
Termination	Axial screw terminal 	Crimp terminal 	Axial screw terminal 	Crimp terminal 
Electrical data acc. to EN 61 984	40 A 1000 V 8 kV 3	40 A 1000 V 8 kV 3	40 A 690 V 8 kV 3	40 A 500 V 6 kV 3
Wire gauge	2.5 ... 8 mm ²	1.5 ... 10 mm ²	6 ... 10 mm ²	1.5 ... 10 mm ²
Male insert (M)	09 14 002 2601	09 14 002 3002	09 14 003 2602	09 14 003 3002
Female insert (F)	09 14 002 2701	09 14 002 3102	09 14 003 2702	09 14 003 3102
Modules	Han® CC Protected module	Han® CD module	Han® HV module	Han® E® module
Number of contacts	4	3/4	2	6
Termination	Crimp terminal 	Crimp terminal 	Crimp terminal 	Crimp terminal 
Electrical data acc. to EN 61 984	40 A 830 V 8 kV 3	40 A 830 V 8 kV 3	16 A 2900/5000 V 15 kV 3	16 A 500 V 6 kV 3
Wire gauge	1.5 ... 6 mm ²	1.5 ... 6 mm ²	0.5 ... 4 mm ²	0.14 ... 4 mm ²
Male insert (M)	09 14 004 3041	09 14 007 3001	09 14 002 3021	09 14 006 3001
Female insert (F)	09 14 004 3141	09 14 007 3101	09 14 002 3121	09 14 006 3101
Modules	Han E® Protected module	Han® EE module	Han® EE module	Han® EEE module
Number of contacts	6	8	8	20
Termination	Crimp terminal 	Crimp terminal 	Quick Lock termination 	Crimp terminal 
Electrical data acc. to EN 61 984	16 A 830 V 8 kV 3	16 A 400 V 6 kV 3	16 A 400 V 6 kV 3	16 A 500 V 6 kV 3
Wire gauge	0.14 ... 4 mm ²	0.14 ... 4 mm ²	0.5 ... 2.5 mm ²	0.14 ... 4 mm ²
Male insert (M)	09 14 006 3041	09 14 008 3001	09 14 008 2633	09 14 020 3001
Female insert (F)	09 14 006 3141	09 14 008 3101	09 14 008 2733	09 14 020 3101

Modules	Han® ES module	Han DD® module	Han DD® module	Han® DDD module
Number of contacts	5	12	12	17
Termination	Cage-clamp terminal 	Crimp terminal 	Quick Lock termination 	Crimp terminal 
Electrical data acc. to EN 61 984	16 A 400 V 6 kV 3	10 A 250 V 4 kV 3	10 A 250 V 4 kV 3	10 A 160 V 2.5 kV 3
Wire gauge	0.14 ... 2.5 mm ²	0.14 ... 2.5 mm ²	0.25 ... 1.5 mm ²	0.14 ... 2.5 mm ²
Male insert (M)	09 14 005 2616	09 14 012 3001	09 14 012 2632	09 14 017 3001
Female insert (F)	09 14 005 2716	09 14 012 3101	09 14 012 2732	09 14 017 3101
Modules	Han® High Density module	Han® D-Sub module	Han® USB module	Han® FireWire module
Number of contacts	25	9	4	6
Termination	Crimp terminal 	Crimp terminal 	USB 2.0 	IEEE 1394 
Electrical data acc. to EN 61 984	4 A 50 V 0.8 kV 3	5 A 50 V 0.8 kV 3	1 A 50 V 0.8 kV 3	1 A 50 V 0.8 kV 3
Wire gauge	0.08 ... 0.52 mm ²	0.08 ... 0.52 mm ²		
Male insert (M)	09 14 025 3001	09 14 009 3001	09 14 001 4601	09 14 001 4611
Female insert (F)	09 14 025 3101	09 14 009 3101	09 14 001 4701	09 14 001 4711
Modules	Han® RJ45 module	Han® GigaBit module	Han-Elisa® Pt100 module	Han-Quintax® module
Number of contacts	8	8		2
Termination	Ethernet Cat. 5e 	Crimp terminal/Cat. 6a 	Cage-clamp terminal 	Crimp terminal 
Electrical data acc. to EN 61 984	1 A 50 V 0.8 kV 3	5 A 50 V 0.8 kV 3		
Wire gauge		0.08 ... 0.52 mm ²	0.14 ... 1.5 mm ²	
Male insert (M)	09 14 001 4621	09 14 001 3011	20 75 108 1101 20 75 108 1103	09 14 002 3001
Female insert (F)	09 14 001 4721	09 14 001 3111	20 75 104 2201 20 75 105 2201	09 14 002 3101
Modules	Han® Multi Contact module	Han® SC module	Han® Pneumatic module	Han® Pneumatic module
Number of contacts	4 + ⊕	4	2	3
Termination	for coaxial contacts acc. to D-Sub (DIN 41 652) 	F.O. SC contacts 	Ø 6 mm 	Ø 4 mm 
Male insert (M)	09 14 004 4501	09 14 004 4701		
Female insert (F)	09 14 004 4513	09 14 004 4711		
Universal			09 14 002 4501	09 14 003 4501

Contacts



Identification	GigaBit contact 	SC contact for GI 50; 62.5 / 125 µm 	Pneumatic Contacts Ø 6 mm 	Pneumatic Contacts Ø 4 mm 
Male insert (M)	09 14 008 3011	20 10 125 5211	09 14 000 6174	09 14 000 6153
Female insert (F)	09 14 008 3111	20 10 125 5211	09 14 000 6279	09 14 000 6258
Han-Quintax® Contacts				
Number of contacts	4	8	1	1
Identification	Han-Quintax® contact 	High Density Quintax contact 	Han D® Coax contact 75 Ω 	Han E® Coax contact 50 Ω 
Wire gauge	0.14 ... 2.5 mm ²	0.09 ... 0.56 mm ²	0.14 ... 2.5 mm ²	0.14 ... 5.5 mm ²
Male insert (M)	09 15 004 3013	09 15 008 3013	09 15 001 3013	09 15 001 3023
Female insert (F)	09 15 004 3113	09 15 008 3113	09 15 001 3113	09 15 001 3123






Han-Modular® Compact



Identification	Hood side-entry, M25 	Hood top-entry, M25 	Hood top-entry, M 32 	
Part number	19 14 001 0501	19 14 001 0401	19 14 001 0402	
Identification	Carrier hood 	Protection cover for carrier hoods 	Housing panel mounting 	Protection cover for bulkhead mounting housings 
Part number	09 14 001 0311	09 14 001 5402	09 14 001 0301	09 14 001 5401








Han-Modular® Accessories



Identification	Han-Modular® Dummy module 	Module clamp with- out strain relief 	Module clamp with strain relief 	Module clamp for rail 	Fixation for hinged frames (20 pieces per block) 
Part number	09 14 000 9950	09 14 000 0301	09 14 000 0302	09 14 000 0303	09 14 000 9960

Han-Modular® Hinged frames


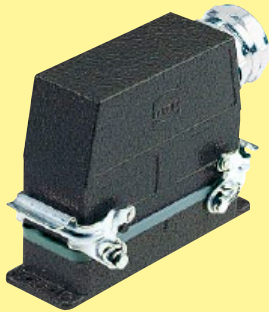

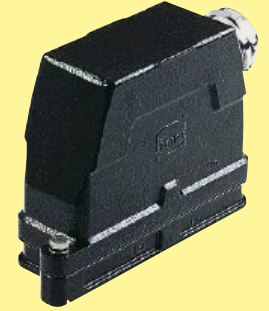



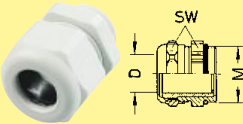
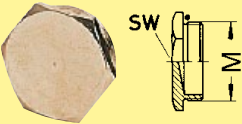
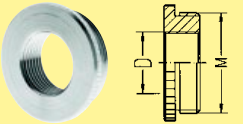
Numbers of modules Size	1 10 A	2 6 B	3 10 B	4 16 B
Order fixations separatly				
Marking A ... F	09 14 000 0304	09 14 006 0303	09 14 010 0303	09 14 016 0303
Marking a ... f	09 14 000 0304	09 14 006 0313	09 14 010 0313	09 14 016 0313
Numbers of modules Size	6 24 B	8 32 B	12 48 B	
Order fixations separatly				
Marking A ... F	09 14 024 0303	09 14 016 0303 09 14 016 0303	09 14 024 0303 09 14 024 0303	
Marking a ... f	09 14 024 0313	09 14 016 0313 09 14 016 0313	09 14 024 0313 09 14 024 0313	

Han-Snap®



Identification	Latching parts without strain relief	Latching parts with strain relief	Latching parts with strain relief and panel mounting part	Plastic hood
For free connector				
Part number	09 33 000 9987	09 33 000 9991	09 33 000 9990	09 33 010 0401 09 33 016 0401 09 33 024 0401 09 33 006 0401
Identification	Insert mounting parts	Insert mounting parts, swinging	Panel mounting parts, plastic	Panel mounting parts, metal
				
Part number	09 33 000 9980	09 33 000 9801 09 33 000 9803	09 33 000 9985	09 33 000 9984

 <p>Han® B</p> <ul style="list-style-type: none"> - Standard Hoods/Housings - Field of application: for demanding environments, for example, in the automobile and mechanical engineering industries also for process and regulation control applications - Distinguishing feature: colour-coded grey (RAL 7037) - Material of hoods/housings: Die cast light alloy - Locking levers: Han-Easy Lock® 	 <p>Han® M</p> <ul style="list-style-type: none"> - Han® M Hoods/Housings for harsh environmental requirements - Field of application: for all applications where aggressive environmental conditions and extreme climatic atmospheres are encountered - Distinguishing feature: colour-coded black (RAL 9005) - Material of hoods/housings: Die cast light alloy, corrosion resistant - Locking levers: Corrosion resistant stainless steel
 <p>Han® EMV</p> <ul style="list-style-type: none"> - Han® EMC Hoods/Housings with high shielding efficiency - Field of application: For sensitive interconnections that have to be shielded against electrical, magnetic or electro-magnetic interferences - Distinguishing feature: Electrically conductive surface, internal seal - Material of hoods/housings: Die cast light alloy, corrosion resistant - Locking levers: Han-Easy Lock® 	 <p>Han® HPR</p> <ul style="list-style-type: none"> - Han® HPR Hoods/Housings, pressure tight - Field of application: For external electrical interconnections in vehicles, in highly demanding environments and wet areas, as well as for sensitive interconnections that have to be shielded - Distinguishing feature: colour-coded black, internal seal (RAL 9005) - Material of hoods/housings: Die cast light alloy, corrosion resistant - Locking parts: Stainless steel

Cable seal						Blind grommet			Reducers			
Metal		Thermoplastic				Metal			Thermoplastic			
												
Part number	SW	Part number	SW	Thread M	Outer cable Ø D	Part number	SW	M	Part number	SW	Thread M	Thread D
19 00 000 5080	22	19 00 000 5180	24	M20	5-9	19 00 000 5070	22	M20	19 00 000 5067		M32	M20
19 00 000 5082	22	19 00 000 5182	24	M20	6-12	19 00 000 5071	28	M25	19 00 000 5068		M32	M25
19 00 000 5084	24	19 00 000 5184	27	M20	10-14	19 00 000 5072	35	M32				
19 00 000 5090	30	19 00 000 5190	33	M25	9-16	19 00 000 5073	44	M40				
19 00 000 5092	30	19 00 000 5192	33	M25	13-18							
19 00 000 5094	40	19 00 000 5194	42	M32	13-20							
19 00 000 5096	40	19 00 000 5196	42	M32	18-25							
19 00 000 5097	50	19 00 000 5197	53	M40	20-26							
19 00 000 5098	50	19 00 000 5198	53	M40	22-32							

Hoods with Metric Cable Entries



	Hoods, side-entry				Hoods, top-entry							
Single lever												
Double lever												
Drawing Dimensions in mm												
	Part number				Part number							
	a	b	h	M	Single Lever	Double Lever	a	b	h	M	Single Lever	Double Lever
Han® 3 A	26.5	26.5	54.5	M20	19 20 003 0620 ¹⁾		28	27	60	M20	19 20 003 1440	
	28	27	54.4	M20	19 20 003 1640							
Han-Brid®	28	27	54.4	M20	19 20 003 1643		28	27	60	M20	19 20 003 1443	
	26.5	26.5	54.4	M20	19 20 003 0623 ¹⁾		26.5	26.5	60	M20	19 20 003 0423 ¹⁾	
Han® 10 A	63	29.5	51.5	M20	19 20 010 1540		63	29.5	47	M20	19 20 010 1440	
	63	36	67.5	M25	19 20 010 0446		63	36	67.5	M25	19 20 010 0446	
	63	36	67.5	M25	19 20 010 0546							
Han® 16 A	79.5	29.5	61.5	M20	19 20 016 1540		79.5	29.5	47	M20	19 20 016 1440	
	79.5	36	70.5	M25	19 20 016 0546		79.5	36	70.5	M25	19 20 016 0446	
Han® 32 A	82	56	60	M25		19 20 032 1521	82	56	79	M25		19 20 032 0426
	82	56	79	M32		19 20 032 0527	82	56	79	M32		19 20 032 0427
Han® 6 B	60	43	43	M20	19 30 006 1540		60	43	40	M20	19 30 006 1440	
	60	43	43	M25	19 30 006 1541		60	43	72	M25	19 30 006 0446	
	60	43	72	M25	19 30 006 0546		60	43	72	M32	19 30 006 0447	
	60	43	72	M32	19 30 006 0547							
Han® 10 B	73	43	57	M20	19 30 010 1540	19 30 010 1520	73	43	45	M25		19 30 010 1421
	73	43	57	M25	19 30 010 1541	19 30 010 1521	73	43	45	M25	19 30 010 1441	
	73	43	72	M32	19 30 010 0547	19 30 010 0527	73	43	45	M20	19 30 010 1440	19 30 010 1420
							73	45	72	M32	19 30 010 0447	19 30 010 0427
Han® 16 B	93.5	43	62.5	M25	19 30 016 1541		93.5	43	62.5	M25	19 30 016 1441	19 30 016 1421
	93.5	43	62.5	M32	19 30 016 1542		93.5	43	62.5	M32	19 30 016 1442	19 30 016 1422
	93.5	45	76	M32	19 30 016 0547	19 30 016 0527	93.5	45	76	M32	19 30 016 0447	19 30 016 0427
	93.5	45	76	M40	19 30 016 0548	19 30 016 0528	93.5	45	76	M40	19 30 016 0448	19 30 016 0428
	93.5	45	62.5	M25		19 30 016 1521						
	93.5	45	62.5	M32		19 30 016 1522						
Han® 24 B	120	43	62.5	M25	19 30 024 1541		120	43	55	M32	19 30 024 1442	19 30 024 0427
	120	43	62.5	M32	19 30 024 1542		120	45	76	M32	19 30 024 0447	
	120	45	76	M32	19 30 024 0547	19 30 024 0527	120	45	76	M40	19 30 024 0448	19 30 024 0428
	120	45	76	M40	19 30 024 0548	19 30 024 0528	120	45	55	M32		19 30 024 1422
	120	45	62.5	M25		19 30 024 1521						
	120	45	62.5	M32		19 30 024 1522						
Han® 32 B	94	82.5	94	M32		19 30 032 0527	94	82.5	94	M32		19 30 032 0427
	94	82.5	94	M40		19 30 032 0528	94	82.5	94	M40		19 30 032 0428
Han® 48 B	132	90	98	M40	19 30 048 0548		132	90	98	M40	19 30 048 0448	

1) Hoods/Housings material plastic

Housings with Metric Cable Entries



	Housings bulkhead mounting					Housings surface mounting (two side-entries except Han® 3 A)									
Single lever															
Double lever															
Drawing Dimensions in mm															
	a	b	c	e	h	Part number		a	b	c	e	h	M	Part number	
						Single Lever	Double Lever							Single Lever	Double Lever
Han® 3 A	28	40		28	23	09 20 003 0320		30	40		57	27	M20	19 20 003 0220	
	28	40		28	23	09 20 003 0301		30	40		58	27	M20	19 20 003 1250	
Han® 10 A	70	81	17.5	29	26	09 20 010 0301		48	74.4	40	50	52	M20	19 20 010 0290	
Han® 16 A	86	96	17.5	29	26	09 20 016 0301		64	80	40	50	57	M20	19 20 016 0290	
Han® 32 A	92	102	42	56	28.5		09 20 032 0301	94	106	46	57	82	M32		19 20 032 0272
Han® 6 B	70	80	32	43	28.5	09 30 006 0301		70	82	40	52	54	M20	19 30 006 1290	
	80	43.5	32	43	28.5	09 30 006 0302 ¹⁾		70	82	40	52	54	M20	19 30 006 1295 ¹⁾	
								70	82	45	57	74	M25	19 30 006 0291	
								70	82	45	57	74	M25	19 30 006 0296 ¹⁾	
								70	82	45	57	74	M32	19 30 006 0292	
Han® 10 B								70	82	45	57	74	M32	19 30 006 0297 ¹⁾	
	83	93	32	43.5	28.5	09 30 010 0303 ¹⁾		82	94	40	52	54	M20		19 30 010 1270
	83	93	32	43.5	28.5	09 30 010 0305	09 30 010 0301	82	94	45	57	74	M32		19 30 010 0272
								82	94	45	57	74	M25		19 30 010 0271
								82	94	40	52	54	M20	19 30 010 1290	
								82	94	40	52	54	M20	19 30 010 1295 ¹⁾	
								82	94	45	57	74	M25	19 30 010 0291	
Han® 16 B								82	94	45	57	74	M25	19 30 010 0296 ¹⁾	
								82	94	45	57	74	M32	19 30 010 0292	
	103	113	32	43	28.5		09 30 016 0301	105	117	45	57	56	M25	19 30 016 1291	19 30 016 1271
	103	113	32	43.5	28.5	09 30 016 0307		105	117	45	57	56	M25	19 30 016 1296 ¹⁾	
	103	113	32	43.5	28.5	09 30 016 0306 ¹⁾		105	117	45	57	81	M25	19 30 016 0291	
Han® 24 B								105	117	45	57	81	M32	19 30 016 0292	19 30 016 0272
								105	117	45	57	81	M32	19 30 016 0297 ¹⁾	
	130	140	32	43.5	28.5	09 30 024 0307	09 30 024 0301	132	144	45	57	56	M25	19 30 024 1291	19 30 024 1271
	130	140	32	43.5	28.5	09 30 024 0304 ¹⁾		132	144	45	57	56	M25	19 30 024 1296 ¹⁾	
Han® 32 B								132	144	45	57	81	M32	19 30 024 0297 ¹⁾	
								132	144	45	57	81	M32	19 30 024 0292	
	110	124	65	90	33		09 30 032 0301	112	125	67	87	90	M40		19 30 032 0273 ¹⁾
Han® 48 B	148	165	70	96	40	09 30 048 0301 ¹⁾		111	141	106	120	99	M40	19 30 048 0298 ¹⁾	

1) With plastic cover
2) Hoods/Housings material plastic

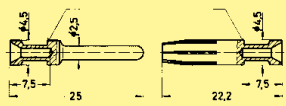
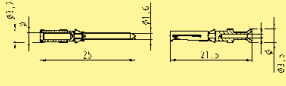
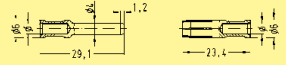
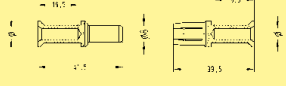
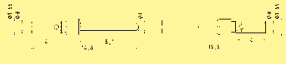
Hoods/Housings with Metric Cable Entries for special Applications



	Hoods					Housings																			
	side-entry		top-entry			Housings bulkhead mounting		Housings surface mounting																	
Single lever																									
Double lever																									
Drawing Dimensions in mm																									
	V ¹⁾	a	b	h	M	Part number	V ¹⁾	a	b	h	M	Part number	V ¹⁾	a	b	h	M	Part number	V ¹⁾	a	b	h	M	Part number	
Han® 3 A	1	28	27	54.4	M20	19 37 003 1640	1	28	27	60	M20	19 37 003 1440	1	30	40	25		09 37 003 0301	1	30	40	27	M20	19 37 003 1250	
Han® 6 B	1	60	43	43	M20	19 37 006 1540	1	60	43	40	M20	19 37 006 1440	1	70	80	30.5		09 37 006 0301	1	70	82	57.5	M20	19 37 006 1290	
Han® 10 B	2	73	43	52	M20	19 37 010 1520	2	73	43	45	M20	19 37 010 1420	2	83	93	30.5		09 37 010 0301	2	82	94	54	M20	19 37 010 1270	
																				2	82	94	81	M32	19 37 010 0272
Han® 16 B	2	93.5	45	62.5	M25	19 37 016 1521	2	93.5	43	76	M32	19 37 016 0427	2	103	113	30.5		09 37 016 0301	2	105	117	56	M25	19 37 016 1231	
	2	93.5	45	76	M32	19 37 016 0527														2	105	117	81	M32	19 37 016 0272
Han® 24 B	2	120	43	62.5	M25	19 37 024 1521	2	120	45	76	M32	19 37 024 0427	2	130	140	30.5		09 37 024 0301	2	132	144	81	M32	19 37 024 0272	
	2	120	45	76	M32	19 37 024 0527																			
Han® 3 A EMV	1	28	27	54.4	M20	19 62 003 1640	1	28	27	60	M20	19 62 003 1440	1	30	40	23		09 62 003 0301	1	30	40	27	M20	19 62 003 1250	
Han® 10 A EMV	1	64	30.5	70	M25	19 62 015 0546	1	64	30.5	70	M25	19 62 015 0446	1	70	81	26.1		09 62 015 0301							
Han® 16 A EMV	1	80	30.5	70	M25	19 62 025 0546	1	80	30.5	70	M25	19 62 025 0446	1	86	96	26.1		09 62 025 0301							
Han® 6 B EMV/B	1	60	43	43	M20	19 62 806 1540	1	60	43	40	M20	19 62 806 1440	1	70	80	28.8		09 62 806 0301	1	70	82	55	M20	19 62 806 1290	
	1	60	43	72	M32	19 62 806 0547	1	60	43	72	M25	19 62 806 0446													
Han® 10 B EMV/B	2	73	43	57	M20	19 62 810 1520	2	73	43	40	M20	19 62 810 1420	2	83	93	28.8		09 62 810 0301							
	2	73	43	72	M32	19 62 810 0527	2	73	43	72	M32	19 62 810 0427													
Han® 16 B EMV/B	2	93.5	43	62.5	M20	19 62 816 1521	2	93.5	43	55	M25	19 62 816 1421	2	103	113	28.8		09 62 816 0301	2	105	117	83	M40	19 62 816 0273	
	2	93.5	43	76	M32	19 62 816 0527	2	93.5	43	76	M32	19 62 816 0427													
Han® 24 B EMV/B	2	120	43	62.5	M25	19 62 824 1521	2	120	43	55	M32	19 62 824 1422	2	130	140	28.8		09 62 824 0301	2	132	144	82	M40	19 62 824 0273	
	2	120	43	76	M40	19 62 824 0528	2	120	43	76	M32	19 62 824 0427													
Han® 3 HPR							S	45.4	32.2	54.6	M20	19 40 003 0410	S	30	45.4	20.3		09 40 003 0311							
							S	45.5	32.4	60	M25	19 40 003 0411													
Han® 6 HPR	S	132	58	101	M20	19 40 006 0510	S	132	58	101	M25	19 40 006 0411	S	70	132	29		09 40 006 0311	S	127	156	111	M20	19 40 006 1260	
	S	132	58	101	M25	19 40 006 0511	S	132	58	101	M32	19 40 006 0412	S	70	132	107		09 40 006 0317	S	127	156	111	M25	19 40 006 1261	
	S	132	58	101	M32	19 40 006 0512	S	132	58	101	M40	19 40 006 0413								S	127	156	111	M32	19 40 006 1262
Han® 10 HPR	S	146	58	101	M25	19 40 010 0511	S	146	58	101	M25	19 40 010 0411	S	83	145	29		09 40 010 0311	S	140	169	111	M20	19 40 010 1260	
	S	146	58	101	M32	19 40 010 0512	S	146	58	101	M32	19 40 010 0412	S	83	145	107		09 40 010 0317	S	140	169	111	M32	19 40 010 1262	
	S	146	58	101	M40	19 40 010 0513	S	146	58	101	M40	19 40 010 0413								S	140	169	111	M25	19 40 010 1271
																				S	140	169	111	M32	19 40 010 1272
Han® 16 HPR	S	166	58	111	M25	19 40 016 0511	S	166	58	111	M25	19 40 016 0411	S	103	165	29		09 40 016 0311	S	160	189	111	M25	19 40 016 1261	
	S	166	58	111	M32	19 40 016 0512	S	166	58	111	M32	19 40 016 0412	S	103	165	107		09 40 016 0317	S	160	189	111	M32	19 40 016 1262	
	S	166	58	111	M40	19 40 016 0513	S	166	58	111	M40	19 40 016 0413								S	160	189	111	M40	19 40 016 1263
	S	166	58	111	M50	19 40 016 0514	S	166	58	111	M50	19 40 016 0414								S	160	189	111	M40	19 40 016 1273
Han® 24 HPR	S	192	58	111	M32	19 40 024 0512	S	192	58	111	M25	19 40 024 0461	S	130	192	29		09 40 024 0311	S	187	216	111	M40	19 40 024 1263	
	S	192	58	111	M40	19 40 024 0513	S	192	58	111	M32	19 40 024 0412	S	130	192	107		09 40 024 0317	S	187	216	111	M40	19 40 024 1273	
	S	192	58	111	M50	19 40 024 0514	S	192	58	111	M40	19 40 024 0413													
							S	192	58	111	M50	19 40 024 0414													
							S	192	58	111	M32	19 40 024 0432													
							S	192	58	111	M40	19 40 024 0433													

1) Locking: 1=1 lever, 2=2 levers, S=Screw locking

Crimping tools	
HARTING crimping tool with locator for all contacts Han D® 0.14 ... 1.5 mm ² Han E® 1.5 ... 4 mm ² Han® C 0.5 ... 4 mm ²	 09 99 000 0110
HARTING crimping tool with locator Han® C 4 ... 6 mm ²	 09 99 000 0303
BUCHANAN crimping tool for all Han® contacts 0.14 ... 4 mm ²	 09 99 000 0001
Multiple crimping tool depth adjustment gauge for BUCHANAN crimping tool 09 99 000 0001	09 99 000 0379
Locator for contacts Han E® Han D® Han® C	 09 99 000 0310 09 99 000 0311 09 99 000 0308
Crimp contact removal tool Han DD®, Han D® Han E®, Han® EE Han® C	09 99 000 0012 09 99 000 0319 09 99 000 0305

Crimp contacts				
Contacts (16 A) for Han E®, Han A®, Han® EE, Han® Q, Han-Modular® * on the rear crimp collar				
Part number		Identifica-tion	Wire gauge	
Male contact	Female contact			
09 33 000 6121	09 33 000 6220	no groove	0.5 mm ²	AWG 20
09 33 000 6114	09 33 000 6214	1 groove*	0.75 mm ²	AWG 18
09 33 000 6105	09 33 000 6205	1 groove	1 mm ²	AWG 18
09 33 000 6104	09 33 000 6204	2 grooves	1.5 mm ²	AWG 16
09 33 000 6102	09 33 000 6202	3 grooves	2.5 mm ²	AWG 14
09 33 000 6107	09 33 000 6207	no groove	4 mm ²	AWG 12
Contacts (10 A) for Han D®, Han DD®, Han-Modular®				
Part number		ø	Wire gauge	
Male contact	Female contact			
09 15 000 6104	09 15 000 6204	0.9	0.14-0.37mm ²	AWG 26-22
09 15 000 6203	09 15 000 6103	1.1	0.5 mm ²	AWG 20
09 15 000 6205	09 15 000 6105	1.3	0.75 mm ²	AWG 18
09 15 000 6202	09 15 000 6102	1.45	1 mm ²	AWG 18
09 15 000 6201	09 15 000 6101	1.75	1.5 mm ²	AWG 16
09 15 000 6206	09 15 000 6106	2.25	2.5 mm ²	AWG 14
Contacts (40 A) for Han® C module, Han-Com®				
Part number		ø	Wire gauge	
Male contact	Female contact			
09 32 000 6104	09 32 000 6204	1.75	1.5 mm ²	AWG 16
09 32 000 6105	09 32 000 6205	2.25	2.5 mm ²	AWG 14
09 32 000 6107	09 32 000 6207	2.85	4 mm ²	AWG 12
09 32 000 6108	09 32 000 6208	3.5	6 mm ²	AWG 10
09 32 000 6109	09 32 000 6209	4.3	10 mm ²	AWG 8
Contacts (100 A) for Han-Modular® (figure: ø 5.5 mm)				
Part number		ø	Wire gauge	
Male contact	Female contact			
09 11 000 6116	09 11 000 6216	5.5	16 mm ²	AWG 4
09 11 000 6125	09 11 000 6225	7	25 mm ²	AWG 4
09 11 000 6135	09 11 000 6235	8.2	35 mm ²	AWG 2
Contacts (5 A) for D-Sub				
Part number		ø	Wire gauge	
Male contact	Female contact			
61 03 000 0078	61 03 000 0080	0.64	0.08-0.21mm ²	AWG 28-24
61 03 000 0094	61 03 000 0096	0.9	0.13-0.33mm ²	AWG 26-22
61 03 000 0073	61 03 000 0074	1.12	0.33-0.52mm ²	AWG 22-20



Sales Network – worldwide



Albania

see Eastern Europe

Argentina

see Brazil

Armenia

see Eastern Europe

Australia

HARTING Pty Ltd
Suite 11 / 2 Enterprise Drive
Bundoora 3083, AUS-Victoria
Phone +61 9466 7088
Fax +61 9466 7088
au@HARTING.com
www.HARTING.com

Austria

HARTING Ges.m.b.H.
Deutschstraße 19, A-1230 Wien
Phone +431 6162121
Fax +431 6162121-21
at@HARTING.com
www.HARTING.at

Azerbaijan

see Eastern Europe

Belarus

see Eastern Europe

Belgium

HARTING N.V./S.A.
Z.3 Doornveld 23, B-1731 Zellik
Phone +32 2 466 0190
Fax +32 2 466 7855
be@HARTING.com
www.HARTING.be

Bosnia and Herzegovina

see Eastern Europe

Brazil

HARTING Ltda.
Av. Dr. Lino de Moraes
Pq. Jabaquara, 255
CEP 04360-001 – São Paulo –
SP – Brazil
Phone +55 11 5035 0073
Fax +55 11 5034 4743
br@HARTING.com
www.HARTING.com.br

Brunei

see Singapore

Bulgaria

see Eastern Europe

Canada

see USA

China

Zhuhai HARTING Limited
Shanghai branch
Room 5403, HK New World Tower
300 Huai Hai Road (M.)
Shanghai 200021, China
Phone +86 21 6386 2200
Fax +86 21 6386 8636
cn@HARTING.com
www.HARTING.com.cn

Croatia

see Eastern Europe

Czech Republic

HARTING s.r.o.
Ml'ynská 2, CZ-160 00 Praha 6
Phone +420 220 380 460
Fax +420 220 380 461
cz@HARTING.com
www.HARTING.cz

Denmark

HARTING ApS
Phone +45 75 67 43 42
Fax +45 75 67 43 43
dk@HARTING.com
www.HARTING.com

Denmark

Wexøe A/S
Lejrvej 31, DK-3500 Vaerloese
Phone +4545465800
Fax +4545465801
wexoe@wexoe.dk
www.wexoe.dk

Eastern Europe

HARTING Eastern Europe GmbH
Bamberger Straße 7
D-01187 Dresden
Phone +49 351 4361 760
Fax +49 351 436 1770
Eastern.Europe@HARTING.com
www.HARTING.com

Estonia

see Eastern Europe

Finland

HARTING Oy
Teknobulevardi 3-5, PL 35
FI-01530 Vantaa
Phone +358 9 350 87 300
Fax +358 9 350 87 320
fi@HARTING.com
www.HARTING.fi

France

HARTING France
181 avenue des Nations, Paris Nord 2
BP 66058 Tremblay en France
F-95972 Roissy Charles de Gaulle
Cédex
Phone +33 1 4938 3400
Fax +33 1 4863 2306
fr@HARTING.com
www.HARTING.fr

Germany

HARTING Deutschland GmbH & Co. KG
P.O. Box 2451, D-32381 Minden
Simeons carré 1, D-32427 Minden
Phone +49 571 8896 0
Fax +49 571 8896 282
de@HARTING.com
www.HARTING-Deutschland.de

Germany (Office)

HARTING Deutschland GmbH & Co. KG
Blankenauer Straße 99
D-09113 Chemnitz
Phone +49 0371 429211
Fax +49 0371 429222
de@HARTING.com
www.HARTING-Deutschland.de

Georgia

see Eastern Europe

Great Britain

HARTING Ltd., Caswell Road
Brackmills Industrial Estate
GB-Northampton, NN4 7PW
Phone +44 1604 827 500
Fax +44 1604 706 777
gb@HARTING.com
www.HARTING.co.uk

Hong Kong

HARTING (HK) Limited
Regional Office Asia Pacific
3512 Metroplaza Tower 1
223 Hing Fong Road
Kwai Fong, N. T., Hong Kong
Phone +852 2423 7338
Fax +852 2480 4378
ap@HARTING.com
www.HARTING.com.hk

Hungary

HARTING Magyarország Kft.
Fehérvári út 89-95, H-1119 Budapest
Phone +36 1 205 34 64
Fax +36 1 205 34 65
hu@HARTING.com
www.HARTING.hu

India

HARTING India Private Limited
No. D, 4th Floor, 'Doshi Towers'
No. 156 Poonamallee High Road
Kilpauk, Chennai 600 010
Tamil Nadu, India
Phone +91 44 435604 15 / 016
Fax +91 44 435604 17
in@HARTING.com
www.HARTING.com

Indonesia

see Malaysia

Island

Smith & Norland, Nóatún 4
IS – 105 Reykjavík
Phone +354 520 3000, Fax +354 520 3011
olaf@sminor.is, www.sminor.is

Israel

COMTEL
Israel Electronics Solutions Ltd.
Bet Hapamon, 20 Hataas st.
P.O.Box 66
Kefar-Saba 44425
Phone +972-9-7677240
Fax +972-9-7677243
sales@comtel.co.il
www.comtel.co.il

Italy

HARTING SpA
Via Dell' Industria 7
I-20090 Vimodrone (Milano)
Phone +39 02 250801
Fax +39 02 2650 597
it@HARTING.com
www.HARTING.it

Japan

HARTING K. K.
Yusen Shin-Yokohama 1 Chome Bldg., 2F
1-7-9, Shin-Yokohama, Kohoku-ku
Yokohama 222-0033 Japan
Phone +81 45 476 3456
Fax +81 45 476 3466
jp@HARTING.com
www.HARTING.co.jp

Kazakhstan

see Eastern Europe

Kirghizia

see Eastern Europe

Korea (South)

HARTING Korea Limited
#308 Yatap Leaders Building, 342-1
Yatap-dong, Bundang-gu
Sunghnam-City, Kyunggi-do
463-828, Republic of Korea
Phone +82 31 781 4615
Fax +82 31 781 4616
kr@HARTING.com
www.HARTING.com.cn/kr

Kosovo

see Eastern Europe

Latvia

see Eastern Europe

Lithuania

see Eastern Europe

Macedonia

see Eastern Europe

Malaysia (Office)

HARTING Singapore Pte Ltd
Malaysia Branch
11-02 Menara Amcorp
Jln. Persiaran Barat
46200 PJ, Sel. D. E., Malaysia
Phone +60 3 / 7955 6173
Fax +60 3 / 7955 5126
sg@HARTING.com

Montenegro

see Eastern Europe

Netherlands

HARTING B.V.
Larenweg 44
NL-5234 KA 's-Hertogenbosch
Postbus 3526
NL-5203 DM 's-Hertogenbosch
Phone +31 736 410 404
Fax +31 736 440 699
nl@HARTING.com
www.HARTINGbv.nl

Norway

HARTING A/S
Østensjøveien 36, N-0667 Oslo
Phone +47 22 700 555
Fax +47 22 700 570
no@HARTING.com
www.HARTING.no

Philippines

see Malaysia



Poland

HARTING Polska Sp. z o. o.
ul. Kamieńskiego 201-219
PL-51-126 Wrocław
Phone +48 71 352 81 71
Fax +48 71 320 74 44
pl@HARTING.com
www.HARTING.pl

Portugal

HARTING Iberia, S. A.
Avda. Josep Tarradellas 20-30, 4º 6ª
E-08029 Barcelona
Phone +351 219 673 177
Fax +351 219 678 457
es@HARTING.com
www.HARTING.es/pt

Republic of Moldova

see Eastern Europe

Romania

HARTING Romania SCS
Europa Unita str. 21
550018-Sibiu, Romania
Phone +40 369-102 671
Fax +40 369-102 622
ro@HARTING.com
www.HARTING.com

Russia

HARTING ZAO
Maliy Sampsoniyevsky prospect 2A
194044 Saint Petersburg, Russia
Phone +7 812 327 6477
Fax +7 812 327 6478
ru@HARTING.com
www.HARTING.ru

Serbia

see Eastern Europe

Singapore

HARTING Singapore Pte Ltd.
25 International Business Park
#02-06 German Centre
Singapore 609916
Phone +65 6225 5285
Fax +65 6225 9947
sg@HARTING.com
www.HARTING.com

Slovakia

HARTING s.r.o.
Sales office Slovakia
Povážska 2, SK - 940 67 Nové Zámky
Phone +421 356-493 993
Fax +421 356-402 114
sk@HARTING.com
www.HARTING.sk

Slovenia

see Eastern Europe

South Africa

HellermannTyton Pty Ltd.
Private Bag X158 Rivonia 2128
34 Milky Way Avenue
Linbro Business Park 2065, Johannesburg
Phone +27(0)11879-6600
Fax +27(0)11879-6606
sales.jhb@hellermann.co.za

Spain

HARTING Iberia S.A.
Avda. Josep Tarradellas 20-30 4º 6ª
E-08029 Barcelona
Phone +34 93 363 84 75
Fax +34 93 419 95 85
es@HARTING.com
www.HARTING.es

Sweden

HARTING AB
Gustavslundsvägen 141 B 4tr
S-167 51 Bromma
Phone +46 8 445 7171
Fax +46 8 445 7170
se@HARTING.com
www.HARTING.se

Switzerland

HARTING AG
Industriestrasse 26
CH-8604 Volketswil
Phone +41 44 908 20 60
Fax +41 44 908 20 69
ch@HARTING.com
www.HARTING.ch

Taiwan

HARTING R.O.C. Limited
Room 1, 5/F
495 GuangFu South Road
RC-110 Taipei, Taiwan
Phone +886 227 586 177
Fax +886 227 587 177
tw@HARTING.com
www.HARTING.com.tw

Tajikistan

see Eastern Europe

Thailand

see Malaysia

Turkey

Gökhan Elektrik San. Tic. Ltd. Sti.
Perpa Elektrikçiler Is Merkezi A Blok
Kat:7-8-9 No.694
80270 Okmeydani/Istanbul
Phone +90(212) 2213236 (pbx)
Fax +90(212) 2213240
gokhan@gokhanelektrik.com.tr
www.gokhanelektrik.com

Turkmenistan

see Eastern Europe

Ukraine

see Eastern Europe

USA

HARTING Inc. of North America
1370 Bowes Road
USA-Elgin, Illinois 60123
Phone +1 (877) 741-1500 (toll free)
Fax +1 (866) 278-0307 (Inside Sales)
Fax +1 (847) 717-9430 (Sales and Marketing)

us@HARTING.com
www.HARTING-USA.com

Uzbekistan

see Eastern Europe

Vietnam (Office)

HARTING Singapore Pte Ltd
Hanoi Representative Office
Suite 616, 6th Floor
Press Club Building
59A Ly Thai To Street
Hoan Kiem District
Hanoi, Vietnam
Phone +84 4 / 3936 7851
Fax +84 4 / 3936 8069
sg@HARTING.com

Distributors – worldwide



Farnell:
www.farnell.com

RS Components:
www.rs-components.com

Other countries and general contact



HARTING Electric GmbH & Co. KG
P.O. Box 1473
32328 Espelkamp, Germany
Phone +49 5772 47-97100
Fax + 49 5772 47-495
electric@HARTING.com



Pushing Performance

www.HARTING.com