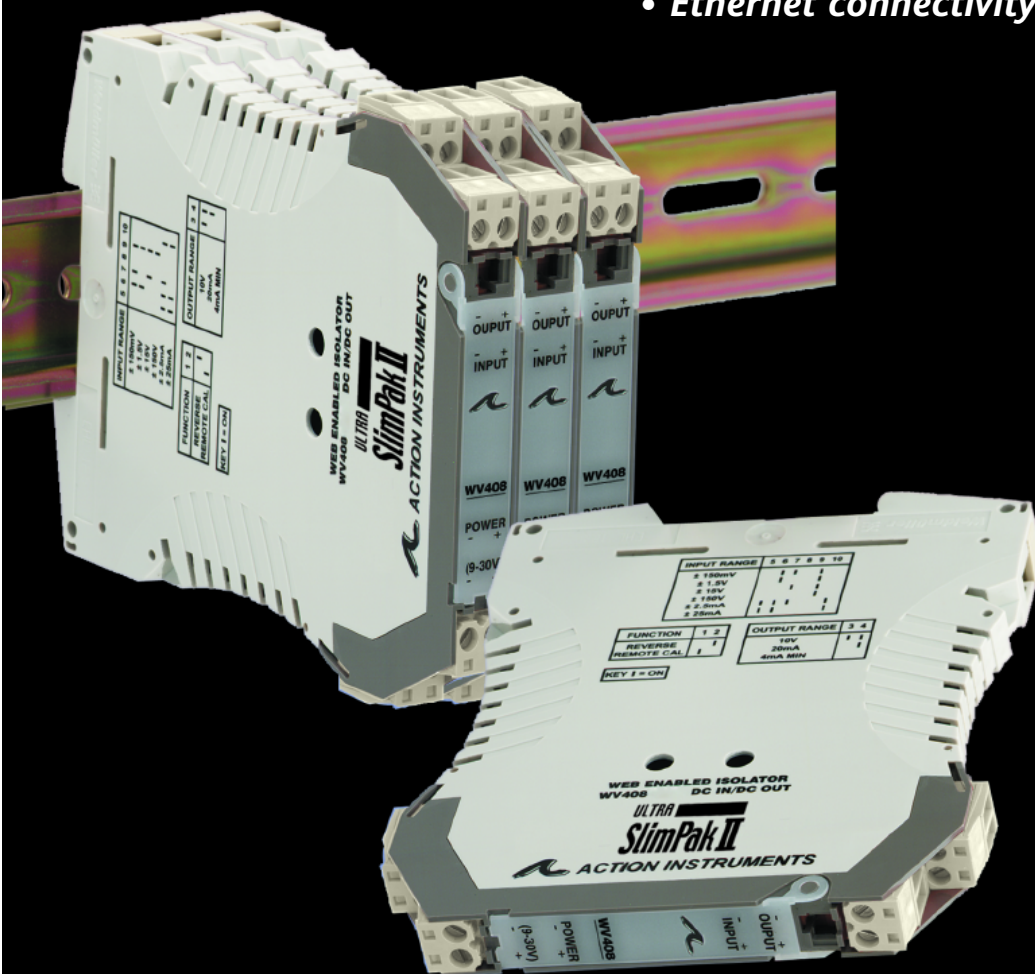


Ultra SlimPak II®



Traditional signal conditioners with some not so traditional features

- *high stability*
- *precise input/output accuracy*
- *low power consumption*
- *Ethernet connectivity*



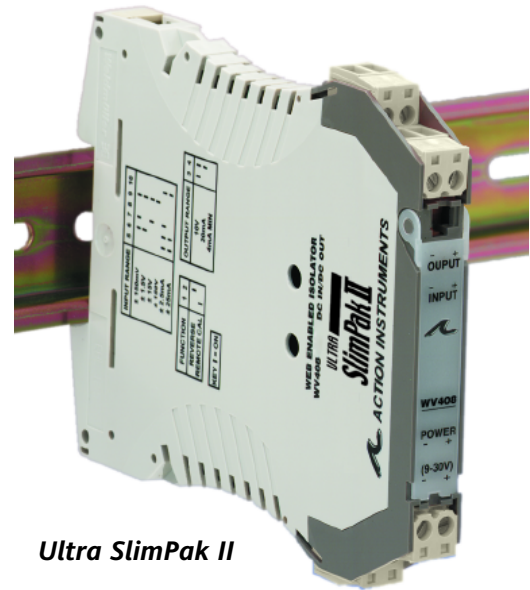
The best signal conditioner family ever produced!

Ultra SlimPak II

The Latest Technology in Signal Conditioners

BENEFITS

- Lower Power Requirements with "Smart Power" Control
- The Best Input/Output Accuracy and Stability Available
 - Input Accuracy of 0.015%
 - Output Accuracy of 0.05%
 - Stability of 100ppm
- Field Configurable
- Integral Diagnostic Capability
- Versatile Alarm Capabilities Provide E-mail Notification when Problems Occur



Ultra SlimPak II

DESCRIPTION

The Ultra SlimPak II is an exciting new line of isolating signal conditioners from Action Instruments with greater accuracy and better stability than virtually any other signal conditioners on the market today. The Ultra SlimPak II also features "Smart Power" to reduce power consumption and temperature rise. These units are configured using DIP switches and feature pushbutton calibration just like the familiar Action I/Q series.

SMART POWER

Smart Power adjusts the output voltage and current, depending on the power output required to drive the current load. A low impedance current loop will subsequently use less power than a high impedance current loop. Previous designs provide only a single supply at the highest voltage required to drive the highest impedance load. Smart Power can save as much as 1/2 Watt per unit and reduce the operating temperature as well.

ENHANCED DIAGNOSTIC LEDS

Blinking LEDs communicate the following information:

- GREEN 2Hz when the input is under range
8Hz when the input is over range
- RED: 2Hz when the output is under range
8Hz when the output is over range

CONFIGURATION

In addition to the DIP switches and pushbutton, it is possible to remotely configure each module, using an Ethernet connection to the WVC16 and a remote PC-based web browser.

INTEGRAL DIAGNOSTICS

Besides the four diagnostic LED's, further diagnostic information can be obtained using a computer. All Ultra SlimPak II units can provide HI/LO and over-temperature soft alarms when used with a WVC16 communications interface.

Communications Interface - WVC16

BENEFITS

- Provides Ethernet Connection for Ultra SlimPak II Modules
- Contains a Web Server and Java Applet
- No Programming Required
- Battery Backed Data
- Sends E-mail Messages



WVC16

DESCRIPTION

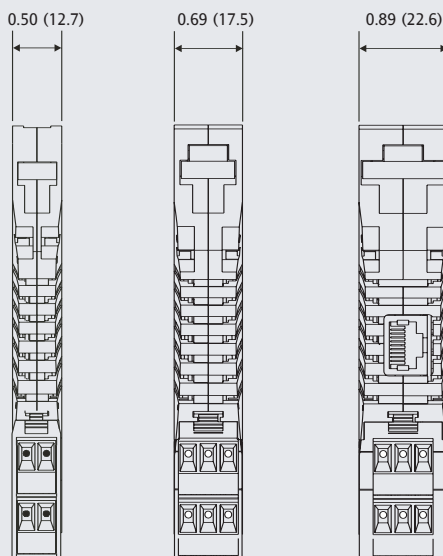
The WVC16 Communications Interface adds internet communications to the Ultra SlimPak II family. The WVC16 communicates with Ultra SlimPak II modules via an internal infrared communications link and provides the ability to connect up to 32 modules to the user's intranet. This powerful combination allows the user to view process data, perform data logging functions on specified modules, calibrate the signal conditioners remotely and view diagnostic information.

E-MAIL ALARMS

When an alarm occurs, the WVC16 can generate an e-mail message to as many as 10 specified users. The message can contain the date/time, name, type, value (if applicable), module name, and internet module name.

DIMENSIONS

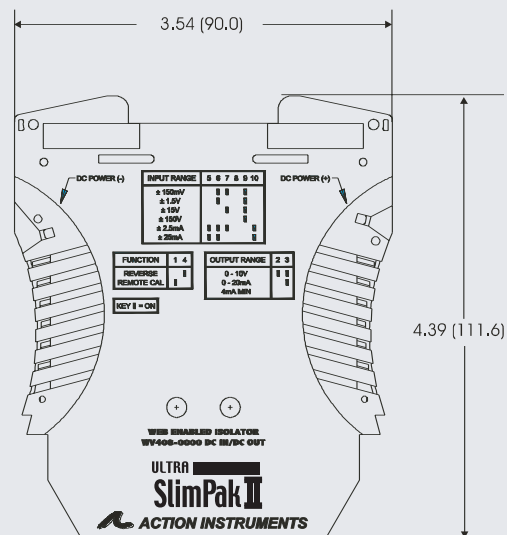
in (mm)



WV408
WV428
WV438
WV468
WV478

WV108
WV118
WV128
WV168
WV418
WV448

WVC16
WV905



COMMON SPECIFICATIONS

Electrical

Input Range	Selection by DIP switch (where applicable)
Output (Conditioners)	0 to 10V or 0 to 20mA
Limit Alarms	2 SPDT relays, 5A at 120Vac
Drive	10mA
Compliance	20V @ 20mA (1k ohms max.)
Input Accuracy	±0.015% of FS
Output Accuracy	±0.05% of FS
Response Time	100mSec (10% to 90%)
Stability	±100ppm/°C (±0.01%)
Common Mode Rejection	120dB @ DC; >90dB @ 60Hz or higher
Isolation	1800VDC or peak AC between input, output & power

Physical

Size (DIN rail case)	
<i>Isolators</i>	0.5" (12.7mm) wide
<i>Limit Alarms/RTD/Bridge</i>	0.69" (17.5mm) wide
<i>Comm Interface/Pwr Supply</i>	0.89" (22.6mm) wide
Operating Temperature	0°C to +60°C (32°F to 140°F)
Storage Temperature	-25°C to +85°C (-13°F to 185°F)
Operating Humidity	15% to 95% RHNC @ 45°C
Storage Humidity	90% RHNC @ 60°C for 24hrs
Agency Approvals	EN50081-1, EN50082-2, EN61010 pending (EMC & Safety) CSA C22.2, No. 0-M91142-M1987 pending; UL508 pending

ORDERING INFORMATION

Limit Alarms

WV108-2000	DC Input Limit Alarm
WV108-2001	DC Input Limit Alarm w/ Latching Relays and Reset Switch
WV118-2000	RTD Input Limit Alarm
WV118-2001	RTD Input Limit Alarm w/ Latching Relays and Reset Switch
WV128-2000	Thermocouple Input Limit Alarm
WV128-2001	Thermocouple Input Limit Alarm w/ Latching Relays and Reset Switch
WV168-2000	AC Input Limit Alarm
WV168-2001	AC Input Limit Alarm w/ Latching Relays and Reset Switch

Accessories

WVC16-2000	Ultra SlimPak II Communications Interface
C650-2000	Software CD and Serial Cable
WV905	24VDC Power Supply (0.5 Amp)
H902	24VDC Power Supply (0.2 Amp)
H910	24VDC Power Supply (1 Amp)
H915	24VDC Power Supply (2.3 Amp)
MD03	TS35 x 7.5 DIN rail (2 meters)
MB03	End Bracket for MD03
C620	Optional Custom Factory Calibration

Signal Conditioners

WV408-2000	DC Input Isolator
WV418-2000	RTD Input Signal Conditioner
WV428-2000	Thermocouple Input Signal Conditioner
WV438-2000	Potentiometer Input Signal Conditioner
WV448-2000	Bridge Input Signal Conditioner
WV468-2000	AC Input Signal Conditioner
WV478-2000	Frequency Input Signal Conditioner

Refer to individual data sheets for more detailed information.

For more information contact your local representative:



741-F Miller Drive, Leesburg, Virginia 20175, Phone 703 443 0000, Fax 703 669 1300, info@eurotherm.com, www.eurotherm.com
Action Instruments • Barber-Colman • Eurotherm Chessell • Eurotherm Controls

©2004 Eurotherm Controls Incorporated. All rights reserved. Every effort has been taken to ensure the accuracy of this specification. However, in order to maintain our technological lead we are continuously improving our products which could, without notice, result in amendments or omissions to these specifications. We cannot accept responsibility for damage, injury, or loss expenses resulting from this document.