

ASSY. NO. (CAT. NO.)	LED COLOR POSITION 1 POSITION 2	NOTES
553-0101F	BLANK RED	
553-0102F	BLANK GREEN	
553-0103F	BLANK YELLOW	
553-0107F	BLANK ORANGE	
553-0108F	BLANK BLUE	**
553-0110F	RED BLANK	
553-0111F	RED RED	
553-0112F	RED GREEN	
553-0113F	RED YELLOW	
553-0118F	RED BLUE	**
553-0120F	GREEN BLANK	
553-0121F	GREEN RED	
553-0122F	GREEN GREEN	
553-0123F	GREEN YELLOW	
553-0128F	GREEN BLUE	**
553-0130F	YELLOW BLANK	
553-0131F	YELLOW RED	
553-0132F	YELLOW GREEN	
553-0133F	YELLOW YELLOW	
553-0181F	BLUE RED	
553-0182F	BLUE GREEN	**
553-0188F	BLUE BLUE	**
553-0199F	WHITE WHITE	***
553-0201F	BLANK RED	*
553-0202F	BLANK GREEN	*
553-0203F	BLANK YELLOW	*
553-0210F	RED BLANK	*
553-0211F	RED RED	*
553-0212F	RED GREEN	*
553-0213F	RED YELLOW	*
553-0220F	GREEN BLANK	*
553-0221F	GREEN RED	*
553-0222F	GREEN GREEN	*
553-0223F	GREEN YELLOW	*
553-0230F	YELLOW BLANK	*
553-0231F	YELLOW RED	*
553-0232F	YELLOW GREEN	*
553-0233F	YELLOW YELLOW	*
553-0301F	BLANK RED	*
553-0302F	BLANK GREEN	*
553-0303F	BLANK YELLOW	*
553-0310F	RED BLANK	*
553-0311F	RED RED	*
553-0312F	RED GREEN	*
553-0313F	RED YELLOW	*
553-0320F	GREEN BLANK	*
553-0321F	GREEN RED	*
553-0322F	GREEN GREEN	*
553-0323F	GREEN YELLOW	*
553-0330F	YELLOW BLANK	*
553-0331F	YELLOW RED	*
553-0332F	YELLOW GREEN	*
553-0333F	YELLOW YELLOW	*

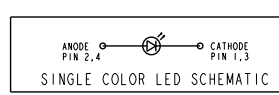
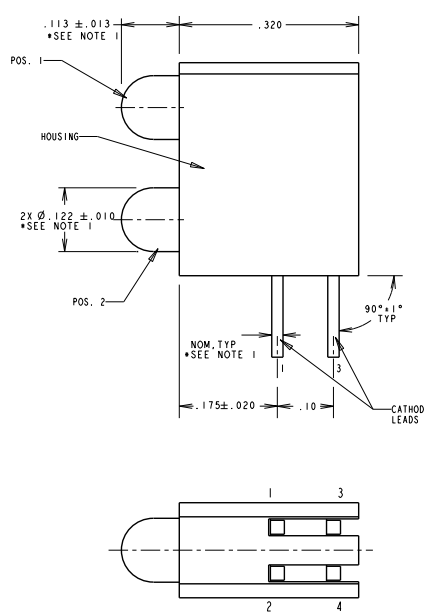
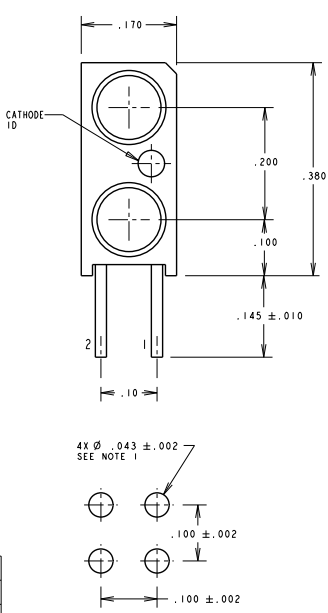
20mA WHITE LED OPERATING CHARACTERISTICS AT T _A = 25°C					
SYMBOL	PARAMETER	MIN	TYP	MAX	TEST COND.
V _F	FORWARD VOLTAGE		3.6	4.0	I _F =20mA
I _R	REVERSE CURRENT	10			V _R =5V
I _V	LUMINOUS INTENSITY	520		1500	mcd I _F =20mA

BIN LIMITS (WHITE LED) (CHROMATICITY COORDINATES)		
1	X	0.330 0.330 0.356 0.361
	Y	0.360 0.318 0.351 0.385
2	X	0.287 0.296 0.330 0.330
	Y	0.295 0.276 0.318 0.339
3	X	0.264 0.280 0.296 0.283
	Y	0.267 0.248 0.276 0.305
4	X	0.283 0.287 0.330 0.330
	Y	0.305 0.295 0.339 0.360

10 mA LED OPERATING CHARACTERISTICS AT T _A = 25°C						
SYMBOL	PARAMETER	COLOR	MIN	TYP	MAX	TEST COND.
V _F	FORWARD VOLTAGE	RED		2.0	3.0	I _F = 10 mA
		YELLOW		2.1	3.0	
		GREEN		2.1	3.0	
V _R	REVERSE VOLTAGE	ALL	3			I _F = 10 mA
		RED		650		
		GREEN		563		
λ _{PK}	PEAK WAVELENGTH	YELLOW		563		nm MEASURED AT PEAK
		GREEN		563		
		BLUE		428		
I _V	LUMINOUS INTENSITY	RED		3.6	10.0	mcd I _F = 10 mA
		YELLOW		2.2	6.3	
		GREEN		5.6	16.0	
		BLUE		6.3	20	

2 mA LOW CURRENT LED OPERATING CHARACTERISTICS AT T _A = 25°C						
SYMBOL	PARAMETER	COLOR	MIN	TYP	MAX	TEST COND.
V _F	FORWARD VOLTAGE	RED		1.7	2.2	I _F = 2 mA
		YELLOW		1.8	2.7	
		GREEN		1.9	2.2	
V _R	REVERSE VOLTAGE	ALL	5			I _F = 50 μA
		RED		635		
		YELLOW		583		
λ _{PK}	PEAK WAVELENGTH	RED		635		nm MEASURED AT PEAK
		YELLOW		583		
		GREEN		565		
I _V	LUMINOUS INTENSITY	RED		1.0	1.6	mcd I _F = 2 mA
		YELLOW		1.0	1.6	
		GREEN		1.0	1.6	

5 V., INTEGRAL RESISTOR LED OPERATING CHARACTERISTICS AT T _A = 25°C						
SYMBOL	PARAMETER	COLOR	MIN	TYP	MAX	TEST COND.
I _F	FORWARD CURRENT	RED		10	20	V _F = 5 V
		YELLOW		10	20	
		GREEN		10	20	
V _R	REVERSE VOLTAGE	ALL	5			I _F = 100 μA
		RED		635		
		YELLOW		583		
λ _{PK}	PEAK WAVELENGTH	RED		635		nm MEASURED AT PEAK
		YELLOW		583		
		GREEN		565		
I _V	LUMINOUS INTENSITY	RED		8.7	29	mcd V _F = 5 V
		YELLOW		3.7	12.6	
		GREEN		5.6	19	



REV	ECN NO	REVISIONS	DRN	CHK	APP	DATE
A	---	NEW RELEASE	TWC	MES	N.O.	8-5-05
B	---	ADDED P/N 553-0181F	SM	N.O.	MES	1-13-06
C	---	CHANGED IN SIDE VIEW POS 3 TO POS 2	SM	N.O.	MES	1-17-06
D	---	ADDED P/N 553-0199F & NOTE 4	SM	N.O.	MES	5-1-07
E	---	OPERATING CHARACTERISTICS TABLE CORRECTED FOR WHITE LED	SM			

- NOTE:
- *DENOTES PARTS WITH LED PROTRUSION OF .103 ± .013, WITH LEADS 0.18 SO. NOM., LED BODY Ø .115 ± .010 AND THE PC BOARD RECOMMENDED HOLE SIZE IS Ø .040 ± .002.
 - DIALIGHT PART NUMBER: 553-0XXXF
 - PIN NUMBER FOR REFERENCE ONLY; DESIGNATION NON-EXISTENT ON PARTS.
 - THIS ASSEMBLY CONTAINS ELECTROSTATIC DISCHARGE SENSITIVE DEVICES (ESDS). MAINTAIN ALL PRECAUTIONARY MEASURES DURING ASSEMBLY, HANDLING AND STORAGE IN ACCORDANCE WITH IPC-A-610.



RoHS Compliant 553-0xxx F Thru Hole Bi-level CBI

Part Numbers with the "F" suffix ending are RoHS Compliant.
 Example: 553-0101F, 553-0333F
 The bag packaging is marked with "RoHS Compliant" label or equivalent markings.
 Parts can be wave soldered, dip soldered or hand soldered using typical lead-free soldering process with max 260°C temp. for 5 sec.

SCALE: DRAWING SCALE		DRAWING NUMBER	
ALL DIM'S IN: INCHES (MM)		C-17277	
TOLERANCES: UNLESS OTHERWISE SPECIFIED		REV	
FRACTIONS: 1/16"		TITLE	
DECIMALS: 1.0001: ±.02		3mm LED BI-LEVEL CBI	
DECIMALS: 1.0001: ±.010		ROHS COMPLIANT	
DECIMALS: 1.0001: ±.0005		MATERIAL	
ANGLES: .1°		FINISH:	
FSCM 83330		Dialight	
SHEET 1 OF 1 FAMILY TABLES		1501 ROUTE 34 SOUTH FARMINGDALE, NJ 07727	