



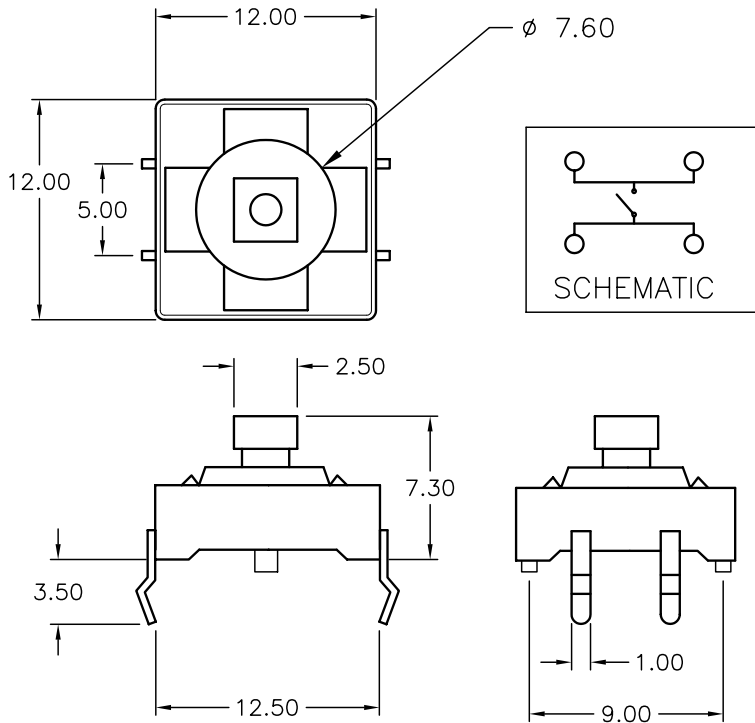
ALL RIGHTS RESERVED. NO PORTION OF THIS PUBLICATION, WHETHER IN WHOLE OR IN PART, CAN BE REPRODUCED WITHOUT THE EXPRESS WRITTEN CONSENT OF SPC TECHNOLOGY.

SPC-F005.DWG

REVISIONS

DOC. NO. SPC-F005 * Effective: 7/8/02 * DCP No: 1398

DCP #	REV	DESCRIPTION	DRAWN	DATE	CHECKD	DATE	APPRVD	DATE
1501	A	RELEASED	JWM	10/10/03	HO	10/17/03	DJC	10/17/03



SPECIFICATIONS

ELECTRICAL

CONTACT RATING: 50mA AT 12 VDC
 CONTACT RESISTANCE: 100 MILLIOHMS MAX.
 INSULATION RESISTANCE: 100 MEGOHMS MIN. AT 500 VDC
 DIELECTRIC STRENGTH: 250 VAC FOR 1 MINUTE

MECHANICAL

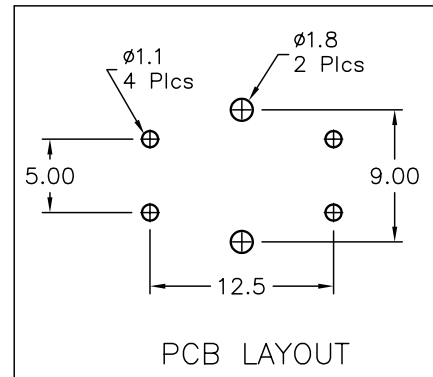
OPERATING LIFE: 100,000 CYCLES MIN.
 TRAVEL: 0.25

ENVIRONMENTAL

OPERATING TEMPERATURE: -20°C TO +70°C
 STORAGE TEMPERATURE: -30°C TO +80°C

MATERIAL

HOUSING: NYLON 4/6 G30, UL94V-0, BLACK
 ACTUATOR: NYLON 4/6 G30, UL94V-0, BLACK
 TERMINALS: BRASS, SILVER PLATED
 CONTACT: STAINLESS STEEL



DISCLAIMER:
 ALL STATEMENTS AND TECHNICAL INFORMATION CONTAINED HEREIN ARE BASED UPON INFORMATION AND/OR TESTS WE BELIEVE TO BE ACCURATE AND RELIABLE. SINCE CONDITIONS OF USE ARE BEYOND OUR CONTROL, THE USER SHALL DETERMINE THE SUITABILITY OF THE PRODUCT FOR THE INTENDED USE AND ASSUME ALL RISK AND LIABILITY WHATSOEVER IN CONNECTION THEREWITH.

TOLERANCES:
 UNLESS OTHERWISE SPECIFIED, DIMENSIONS ARE FOR REFERENCE PURPOSES ONLY.

DRAWN BY:	DATE:
Jeff McVicker	10/10/03
CHECKED BY:	DATE:
Hisham Odish	10/17/03
APPROVED BY:	DATE:
Daniel Carey	10/17/03

DRAWING TITLE: Tactile Switch, ON-OFF			
SIZE	DWG. NO.	ELECTRONIC FILE	REV
A	SPC12379	53H6640.dwg	A
SCALE: NTS	U.O.M.: INCHES [mm]	SHEET: 1 OF 1	