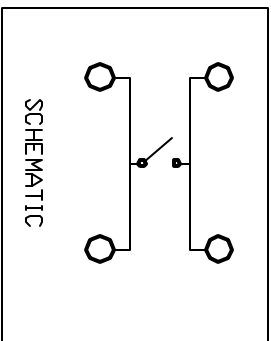
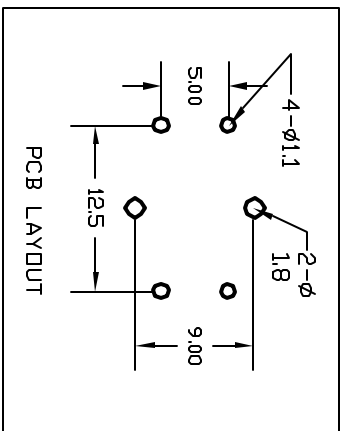
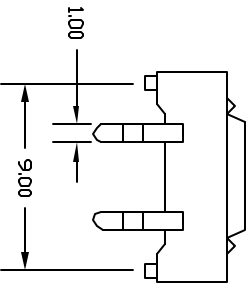
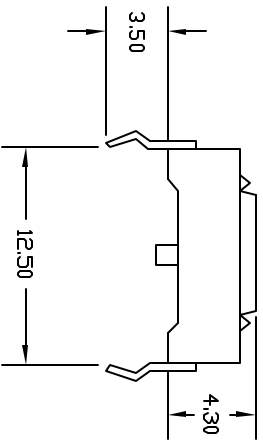
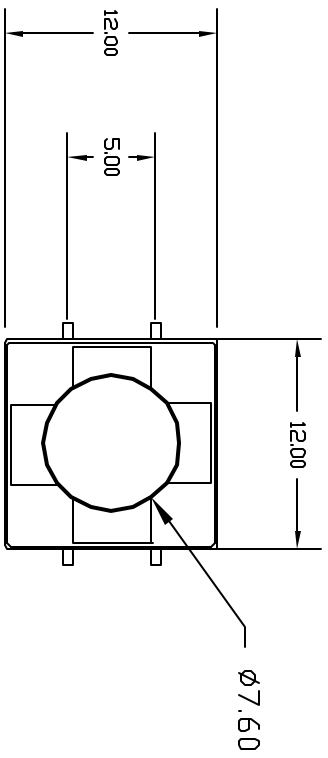


ALL RIGHTS RESERVED. NO PORTION OF THIS PUBLICATION, WHETHER IN WHOLE OR IN PART CAN BE REPRODUCED WITHOUT THE EXPRESS WRITTEN CONSENT OF SPC TECHNOLOGY.

SPC-F005.DWG

REVISONS		DOC. NO. SPC-F005	* EFFECTIVE 7/8/02	* DCP No. 1398				
DCP #	REV	DESCRIPTION	DRAWN	DATE	CHECKD	DATE	APPRVD	DATE
XX	XX	XXXX	XXXX	27-09-08	XXXX	27-09-08	XXXX	27-09-08
XXXX	XXXX		XXXX	27-09-08	XXXX	27-09-08	XXXX	27-09-08



DISCLAIMER:
ALL STATEMENTS AND TECHNICAL INFORMATION CONTAINED HEREIN ARE BASED UPON INFORMATION AND/OR TESTS WE BELIEVE TO BE ACCURATE AND RELIABLE. SINCE CONDITIONS OF USE ARE BEYOND OUR CONTROL, THE USER SHALL DETERMINE THE SUITABILITY OF THE PRODUCT FOR THE INTENDED USE AND ASSUME ALL RISK AND LIABILITY WHATSOEVER IN CONNECTION THEREWITH.

TOLERANCES:
UNLESS OTHERWISE SPECIFIED, DIMENSIONS ARE FOR REFERENCE PURPOSES ONLY.

DRAWN BY:	DATE:
XXXX	27-09-08
CHECKED BY:	DATE:
XXXX	27-09-08
APPROVED BY:	DATE:
XXXX	27-09-08

DRAWING TITLE:		TACT SWITCH	
SIZE	DWG. NO.	ELECTRONIC FILE	REV
A	SPC12371	53H6633	XX
SCALE:	NTS	U.D.M., INCHES [MM]	SHEET: 1 OF



ALL RIGHTS RESERVED. NO PORTION OF THIS PUBLICATION, WHETHER IN WHOLE OR IN PART CAN BE REPRODUCED WITHOUT THE EXPRESS WRITTEN CONSENT OF OSPC TECHNOLOGY.

SPC-F005.DWG

REVISIONS		DOC. NO. SPC-F005		* Effective 7/8/02		* DCP No. 1398	
DCP #	REV	DESCRIPTION	DRAWN	DATE	CHECKD	DATE	APPRVD
XX	XX	XXXX	XXXX	29-09-08	XXXX	29-09-08	XXXX
XXXX	XXXX		XXXX	29-09-08	XXXX	29-09-08	XXXX

SPECIFICATIONS

ELECTRICAL

CONTACT RATING: 50mA AT 12 VDC
 CONTACT RESISTANCE: 100 MILLIOMHS MAX.
 INSULATION RESISTANCE: 100 MEGOHMS MIN. AT 500 VDC
 DIELECTRIC STRENGTH: 250 VAC FOR 1 MINUTE

MECHANICAL

OPERATING LIFE: 100,000 CYCLES MIN.
 TRAVEL: 0.25

ENVIRONMENTAL

OPERATING TEMPERATURE: -20°C TD +70°C
 STORAGE TEMPERATURE: -30°C TD +80°C

MATERIAL:

HOUSING: NYLON 4/6 G30, UL94V-0 BLACK
 ACTUATOR: NYLON 4/6 G30, UL94V-0, BLACK
 TERMINALS: BRASS, SILVER PLATED
 CONTACT: STAINLESS STEEL

TOLERANCES:

UNLESS OTHERWISE SPECIFIED, DIMENSIONS ARE FOR REFERENCE PURPOSES ONLY.

DRAWN BY:	DATE:
XXXX	29-09-08
CHECKED BY:	DATE:
XXXX	29-09-08
APPROVED BY:	DATE:
XXXX	29-09-08

DRAWING TITLE:

TACT SWITCH

SIZE	DWG. NO.	ELECTRONIC FILE	REV
A	SPC12371	53H6633	XX
SCALE:	NTS	U.D.M., INCHES [MM]	SHEET: 1 OF 1

DISCLAIMER:
 ALL STATEMENTS AND TECHNICAL INFORMATION CONTAINED HEREIN ARE BASED UPON INFORMATION AND/OR TESTS WE BELIEVE TO BE ACCURATE AND RELIABLE. SINCE CONDITIONS OF USE ARE BEYOND OUR CONTROL, THE USER SHALL DETERMINE THE SUITABILITY OF THE PRODUCT FOR THE INTENDED USE AND ASSUME ALL RISK AND LIABILITY WHATSOEVER IN CONNECTION THEREWITH.