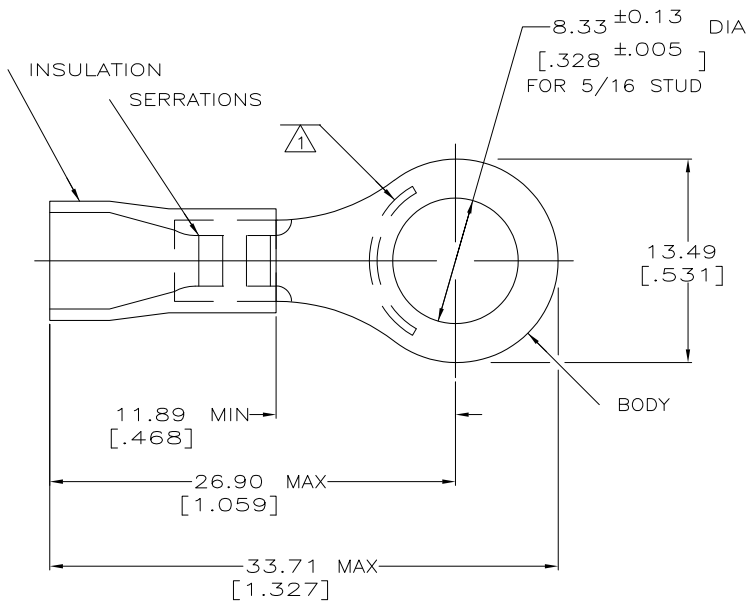


THIS DRAWING IS UNPUBLISHED. RELEASED FOR PUBLICATION
 © COPYRIGHT - By - ALL RIGHTS RESERVED.

| LOC | DIST | REVISIONS | | | |
|-----|------|-------------|---------------------------|---------|--------|
| P | LTR | DESCRIPTION | DATE | DWN | APVD |
| G | 14 | R2 | REVISED PER ECO-11-005027 | 11MAR11 | RK HMR |

| | | |
|--------------------------------|--------------------------------|--------------------------------|
| WIRE RANGE | Listed | LR7189 Certified |
| 12-10 AWG SOLID OR STRANDED | 12-10 AWG SOLID OR STRANDED | 12-10 AWG SOLID OR STRANDED |



- 1 STAMP AMP 12-10*, APPROX AS SHOWN
- 2 WIRE INSULATION DIA: .150-.250
- 3 TONGUE MATERIAL THK IS 1.02±0.05 [.040±.002]
- 4 MATERIAL: BODY; COPPER PER ASTM B152
INSULATION; PVC
COLOR; YELLOW
- 5 MATERIAL: BODY; COPPER PER ASTM B152
INSULATION; PVC
COLOR; RED
- 6 MATERIAL: BODY; COPPER PER ASTM B152
INSULATION; PVC
COLOR; BLACK
- 7 FINISH: BODY; TIN PL. PER ASTM B545
- 8 FINISH: BODY; GOLD FLASH PER ASTM B-488
OVER NICKEL PLATE QQ-N-290

| QTY | PACKAGE TYPE | PART NO |
|------|------------------|-----------|
| 50 | LOOSE PIECE, BOX | 8-34856-2 |
| 2500 | ON TAPE, REEL | 2-34856-5 |
| 2500 | ON TAPE, REEL | 2-34856-1 |
| 2500 | ON TAPE, REEL | 34856-4 |
| 2500 | ON TAPE, REEL | 34856-2 |
| 500 | LOOSE PIECE | 34856-0 |

**AMP INCORPORATED
CUSTOMER SERVICE SYSTEMS**

FOR ADDITIONAL PRODUCT INFORMATION OR COPIES OF DRAWINGS AND TECHNICAL DOCUMENTS
 PRODUCT INFORMATION CENTER
 1-800-522-6752

FOR APPLICATION TOOLING ASSISTANCE CENTER
 TOOLING INFORMATION
 1-800-722-1111

FOR ORDER ENTRY
 1-800-526-5142

MAX RECOMMENDED OPERATING TEMPERATURE:
 105°C [221°F]

VOLTAGE RATING:
 N/A

CIRCULAR MIL AREA:
 2.62-6.64mm² [5180-13100]
 SOLID OR STRANDED

THIS DRAWING IS A CONTROLLED DOCUMENT.

DIMENSIONS:
 mm[INCHES]

TOLERANCES UNLESS OTHERWISE SPECIFIED:

| | |
|--------|--------------|
| 0 PLC | ±- |
| 1 PLC | ±- |
| 2 PLC | ± 0.20[.008] |
| 3 PLC | ±- |
| 4 PLC | ±- |
| ANGLES | ±- |

MATERIAL: SEE TABLE
 FINISH: SEE TABLE

DWN: DK SCHRUM 08/06/92
 CHR: RE HERSEY 11/10/92
 APVD: M ELLIS 11/10/92

STE TE Connectivity

NAME: TERMINAL, RING TONGUE, PLASTI-GRIP

PRODUCT SPEC: 108-1034
 APPLICATION SPEC: NOT AVAILABLE

SIZE: A3 CAGE CODE: 00779 DRAWING NO: C=34856 RESTRICTED TO: -

WEIGHT: -

CUSTOMER DRAWING SCALE: 4:1 SHEET: 1 of 1 REV: R2