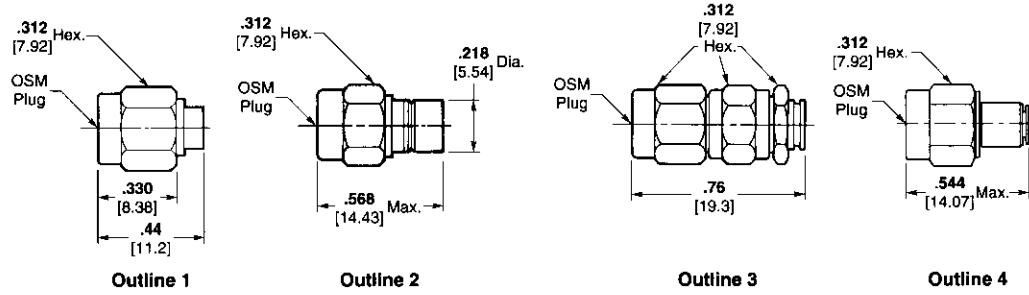


**SMA Connectors MIL-C-39012 — For Semi-Rigid Cable**

**MIL-C-39012/79**

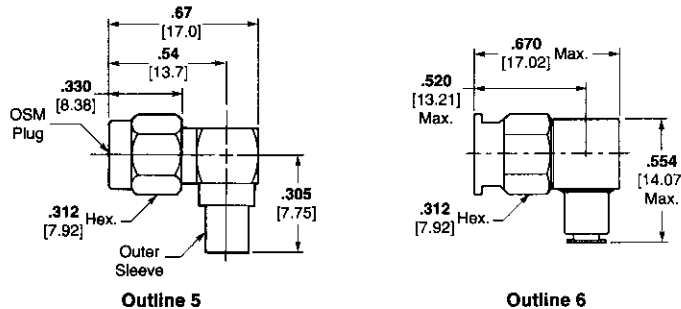


Military Part No.	AMP Part No.	M/A-COM <sup>1</sup> Part No. (Ref. Only)	Outline	Category	RG/U Cable
B3001	1050774-1	2001-8001-92	1	B	405
B3002	1050776-1	2001-8002-92	1	B	402
B3003	1050777-1	2001-8003-92	3	B	405
B3003	1050813-1	2001-8991-92	2 <sup>1</sup>	B	405
B3003	1089686-1 <sup>2</sup>	2001-8203-92	2	B	405
B3004	1050779-1	2001-8004-92	3	B	402
B3004	1050792-1 <sup>3</sup>	2001-8204-92	2	B	402
-3007	1050781-1	2001-8007-92	3	E	405
-3008	1050783-1	2001-8008-92	3	E	402
*B3101	1050785-1	2001-8101-92	1	B	405
*B3102	1050786-1	2001-8102-92	1	B	402
*B3103	1050787-1	2001-8103-92	3	B	405
*B3103	1050797-1 <sup>4</sup>	2001-8303-92	2	B	405
*B3103	1050812-1	2001-8981-92	2 <sup>1</sup>	B	405

Military Part No.	AMP Part No.	M/A-COM <sup>1</sup> Part No. (Ref. Only)	Outline	Category	RG/U Cable
*B3103	227868-1 <sup>3</sup>	—	4	B	405
*B3104	1050788-1	2001-8104-92	3	B	402
*B3104	1050799-1	2001-8304-92	2	B	402
*B3104	227743-1 <sup>3</sup>	—	4	B	402
*-3107	1050789-1	2001-8107-92	3	E	405
*-3108	1050790-1	2001-8108-92	3	E	402
-3207	1050793-1	2001-8207-92	2	F	405
-3207	228639-3 <sup>3</sup>	—	4	F	405
-3208	1050794-1	2001-8208-92	2	F	402
*-3307	1050800-1	2001-8307-92	2	F	405
*-3307	228639-1 <sup>3</sup>	—	4	F	405
*-3308	1050801-1	2001-8308-92	2	F	402
*-3308	228634-1 <sup>3</sup>	—	4	F	402
-3311	1050803-1	2001-8311-92	2	F	405

\* No safety wire holes.  
<sup>1</sup> Low profile version; overall length .393 [9.98] max.  
<sup>2</sup> OSCC solderless compression crimp version.  
<sup>3</sup> Use Hand Tool Kit Part Number 59981-1 which includes Die Set Part Number 312253-2 and Locator Part Number 220221-2.  
<sup>4</sup> -92 indicates passivated stainless steel finish.  
 See page 7003 for description of categories and pages 7059-7064 for tooling (unless noted otherwise).

**MIL-C-39012/80**



Military Part No.	AMP Part No.	M/A-COM <sup>1</sup> Part No. (Ref. Only)	Outline	Category	RG/U Cable
B3001	1051160-1	2007-8001-92	5	B	405
B3002	1051161-1	2007-8002-92	5	B	402
B3003	1051163-1	2007-8003-92	5	B	405
B3004	1051164-1	2007-8004-92	5	B	402
-3005	1051165-1	2007-8005-92	5	E	405
-3006	1051166-1	2007-8006-92	5	E	402
-3007	1051168-1	2007-8007-92	5	E	405
-3008	1051170-1	2007-8008-92	5	E	402
*B3101	1051171-1	2007-8101-92	5	B	405
*B3102	1051172-1	2007-8102-92	5	B	402

Military Part No.	AMP Part No.	M/A-COM <sup>1</sup> Part No. (Ref. Only)	Outline	Category	RG/U Cable
*B3103	1051173-1	2007-8103-92	5	B	405
*B3104	1051174-1	2007-8104-92	5	B	402
*-3105	1051175-1	2007-8105-92	5	E	405
*-3106	1051176-1	2007-8106-92	5	E	402
*-3107	1051177-1	2007-8107-92	5	E	405
*-3108	1051178-1	2007-8108-92	5	E	402
-3207	228583-3	—	6	F	405
*-3307	228583-1	—	6	F	405
-3308	228626-1	—	6	F	402

\* No safety wire holes.  
<sup>1</sup> Use Hand Tool Kit Part Number 59981-1 which includes Die Set Part Number 312253-1 and Locator Part Number 312173-1.  
<sup>2</sup> -92 indicates passivated stainless steel finish.  
 See page 7003 for description of categories and pages 7059-7064 for tooling (unless noted otherwise).